



Kingston™ Comfort Height®

The Complete Solution® two-piece elongated toilet

K-26077

Features

- Two-piece design.
- Elongated bowl offers added room and comfort.
- Comfort Height® feature offers chair-height seating that makes sitting down and standing up easier for most adults.
- 1.28 gpf (4.8 lpf).
- Durable metal left-hand Polished Chrome trip lever.
- 2-1/8" (54 mm) fully glazed trapway.
- Sanitary guard where bowl and tank meet for ease of cleaning.
- Easy-to-service silicone seal.
- Encapsulated bolts prevent rust and corrosion.
- Quiet-Close™ elongated seat closes quietly.
- Ideal for commercial installations.
- The Complete Solution toilets provide everything you need, including bowl, tank, seat, wax ring, and hardware.

Technology

- Precision-engineered tank, bowl, and trapway create strong siphon during flushing.
- Class Five® canister optimizes the flow out of the tank, harnessing gravity and the natural powerful reducing cascade of water to increase the power and effectiveness of the flush.
- Easy-to-flush canister design requires less force to actuate than a 3" (76 mm) flapper, and has 90% less exposed seal material which resists conditions that cause wear, tear, shrinkage and swelling.

Installation

- Three-bolt quick-connect installation.
- Standard 12" (305 mm) rough-in.
- Supply line sold separately.

Recommended Products/Accessories

- K-7637 Angle Supply with Stop (single)
- K-5420 Low-Profile Bolt Caps
- K-23726 Drain treatment

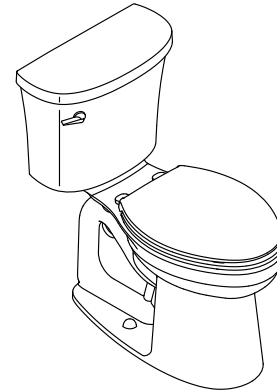
Included Components

Product consists of:

- 25076
- 25100
- 20110

Additional Components:

- Bolt cap accessory pack



ADA **CSA B651** **OBC**

Codes/Standards

- ASME A112.19.2/CSA B45.1
- DOE - Energy Policy Act 1992
- EPA WaterSense®
- California Energy Commission (CEC)
- ADA
- ICC/ANSI A117.1
- CSA B651
- OBC

KOHLER® Toilets and Seats Limited Warranty

See website for detailed warranty information.

Available Colors/Finishes

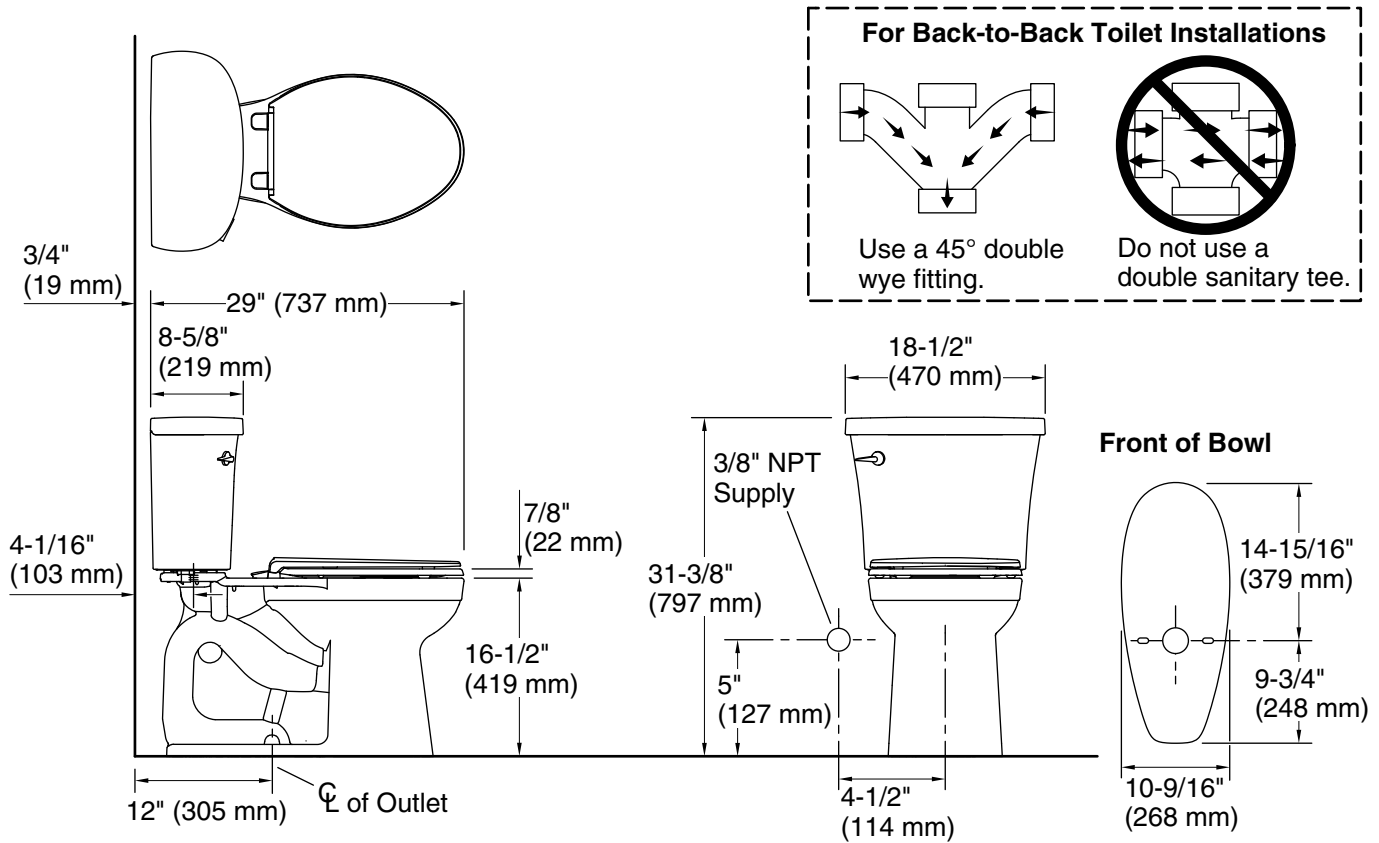
Color tiles intended for reference only.

Color Code Description

	0	White
---	---	-------



Kingston™ Comfort Height®
 The Complete Solution® two-piece elongated toilet
K-26077



Technical Information

All product dimensions are nominal.

- Toilet type: Floor-mount
- Waste Outlet: Floor
- Bowl shape: Elongated
- Flush type: Gravity siphon jet
- Trap passageway: 2-1/8" (54 mm)
- Water Consumption
 - Full: 1.28 gpf (4.8 lpf)
- Water surface size: 10-5/8" x 6-15/16" (269 mm x 176 mm)
- Rim to water surface: 5-5/8" (143 mm)
- Rough-in: 12" (305 mm)
- Seat-mounting holes: 5-1/2" (140 mm)

Notes

- Install this product according to the installation instructions.
- ADA, OBC, CSA B651 compliant when installed to the specific requirements of these regulations.
- Plumbing codes may require elongated toilets and elongated, open-front seats in public bathrooms.
- Accessibility standards may require controls to be located on the open side of the toilet.