



Kingston™ Comfort Height®

Two-piece elongated 1.28 gpf chair height toilet
K-25077-SSRA

Features

- Ideal for commercial installations.
- Antimicrobial finish inhibits the growth of mold-, mildew-, stain-, and odor-causing bacteria on the fixture surface.
- Two-piece toilet.
- Elongated bowl offers added room and comfort.
- 1.28 gpf (4.8 lpf).
- Durable metal right-hand Polished Chrome trip lever included.
- 2-1/8" (54 mm) fully-glazed trapway.
- Easy-to-service silicone seal.
- Sanitary guard where the bowl and tank meet for ease of cleaning.
- Encapsulated bolts to prevent rusting and corrosion.
- Combination consists of the K-25076-SS bowl and K-25100-RA tank.

Technology

- Single-flush gravity uses the force of gravity and a precision-engineered tank, bowl, and trapway to create a strong siphon during flushing.
- Class Five® flushing technology offers virtually plug-free performance and rinsing power for a clean bowl.
- Class Five® canister allows water to flow out of the tank from all sides (360 degrees), increasing the power and effectiveness of the flush.
- Flush valve's 3:2 ratio harnesses the natural force of gravity and optimizes flush performance.
- Durable canister design has 90% less exposed seal material than a 3" flapper for leak-free performance.

Installation

- Three-bolt quick-connect installation.
- Standard 12" (305 mm) rough-in.
- Seat and supply line sold separately.

Recommended Products/Accessories

K-7637 Angle Supply with Stop (single)
K-20110 Brevia™ Quiet-Close™ Elongated Toilet Seat
K-4650-A Lustra™ Elongated Toilet Seat
K-5420 Low-Profile Bolt Caps
K-23726 Drain treatment

Included Components

Product consists of:

K-25076 Elongated toilet bowl
K-25100 Toilet tank, 1.28 gpf

Additional Components:

Bolt cap accessory pack



ADA

CSA B651

OBC

Codes/Standards

ASME A112.19.2/CSA B45.1
DOE - Energy Policy Act 1992
EPA WaterSense®
California Energy Commission (CEC)
ADA
ICC/ANSI A117.1
CSA B651
OBC

KOHLER® Toilets and Seats Limited Warranty

See website for detailed warranty information.

Available Colors/Finishes

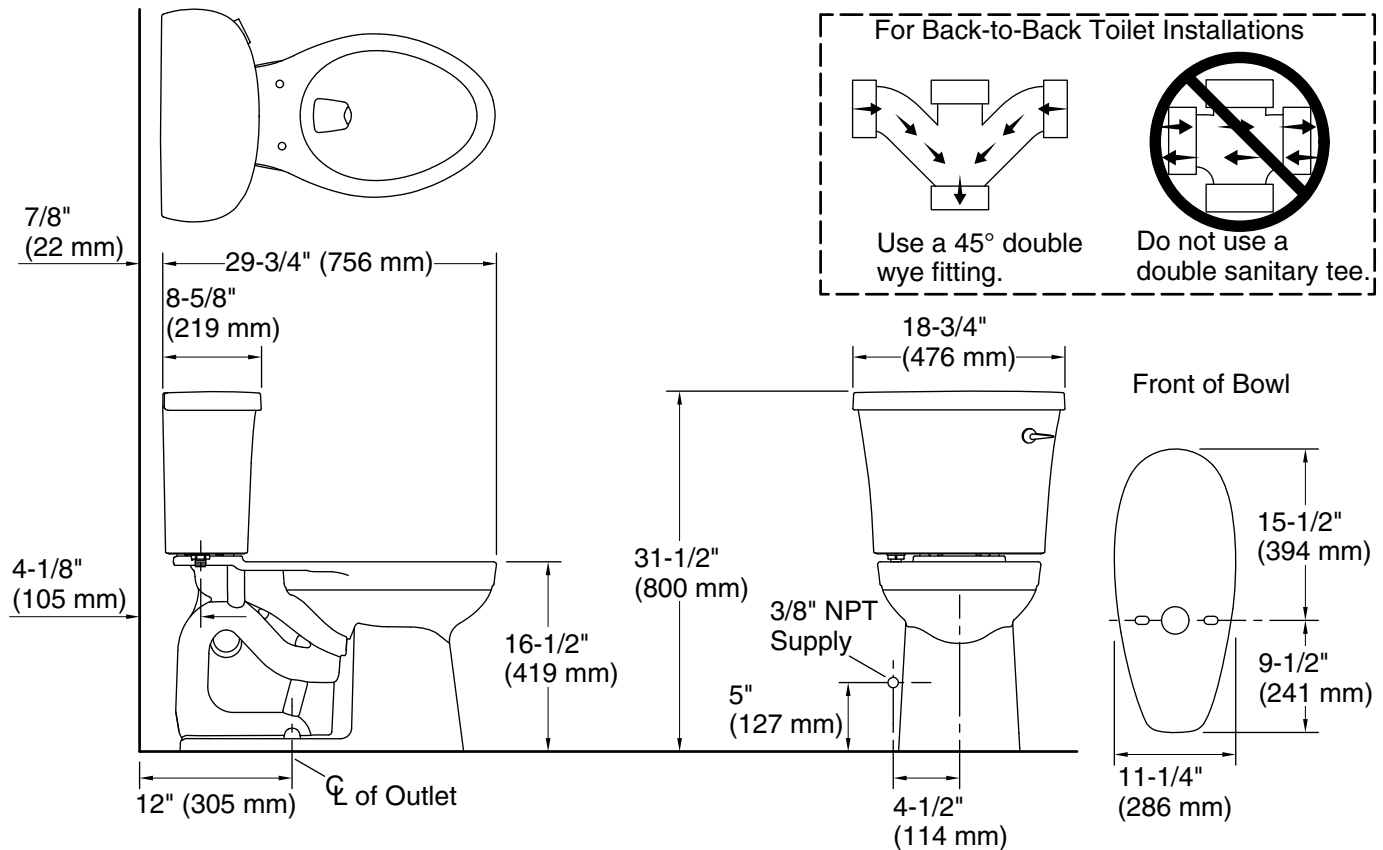
Color tiles intended for reference only.

Color Code Description

■ 0 White



Kingston™ Comfort Height®
Two-piece elongated 1.28 gpf chair height toilet
K-25077-SSRA



Technical Information

All product dimensions are nominal.

- Toilet type: Two-piece, Floor-mount
- Waste Outlet: Floor
- Bowl shape: Elongated
- Flush type: Gravity siphon jet
- Trap passageway: 2-1/8" (54 mm)
- Water Consumption
 - Full: 1.28 gpf (4.8 lpf)
- Water surface size: 10-5/8" x 6-15/16" (269 mm x 176 mm)
- Rim to water surface: 5-5/8" (143 mm)
- Rough-in: 12" (305 mm)
- Seat-mounting holes: 5-1/2" (140 mm)

Notes

- Install this product according to the installation instructions.
- For back-to-back toilet installations: Use only a 45° double wye fitting.
- ADA, OBC, CSA B651 compliant when installed to the specific requirements of these regulations.
- Plumbing codes may require elongated toilets and elongated, open-front seats in public bathrooms.
- Accessibility standards may require controls to be located on the open side of the toilet.