

### Features

- Acid-resistant enamel finish.
- Black underside finish.
- 45-inch-wide single bowl.
- 9-inch depth.
- Three faucet holes at deck center.
- Integral apron and backsplash.
- Includes a walnut cutting board, multipurpose grated rack, utility rack, utility rack with soaking cup, left and right sink racks, and a towel bar.

### Material

- KOHLER® enameled cast iron.

### Installation

- Top-mount with custom cabinetry, or wall-mount with coordinating K-21104 or K-21105 legs (sold separately).

### Recommended Products/Accessories

K-8801 Sink Strainer  
K-8799 Sink Strainer  
K-21104 contemporary legs  
K-21105 transitional legs



### Codes/Standards

ASME A112.19.1/CSA B45.2

### KOHLER® Enameled Cast Iron Kitchen Sink Lifetime Limited Warranty

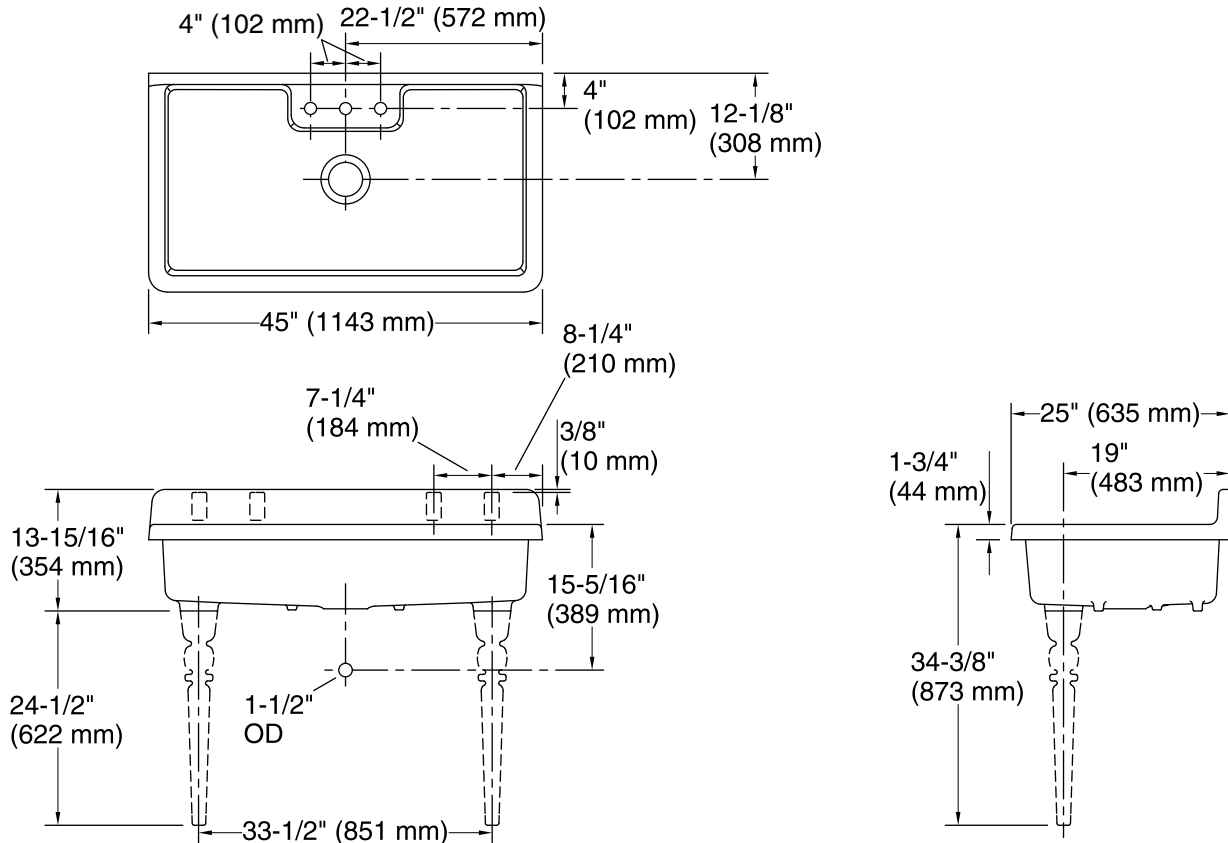
See website for detailed warranty information.

### Available Colors/Finishes

*Color tiles intended for reference only.*

Color	Code	Description
-------	------	-------------

	0	White
--	---	-------



### Technical Information

All product dimensions are nominal.

Bowl area (Only):	Length: 41-1/4" (1048 mm)
	Width: 21-5/8" (549 mm)
	Bowl depth: 9" (229 mm)
	Water depth: 9" (229 mm)
Drain hole:	3-7/8" (98 mm)
Template:	1327839-7, required, included

### Notes

Install this product according to the installation instructions.

**NOTICE:** Countertop manufacturer or cutter must use the cut-out template provided with the product, or a current one provided by Kohler Co. (call 1-800-4-KOHLER). Kohler Co. is not responsible for cutout errors when the incorrect cut-out template is used.