

### Features

- Designed to fit any brand of 13-gallon (49-liter) trash bag
- Fingerprint-resistant finish stays clean longer
- Hands-free operation with durable metal foot pedal
- Raised liner and rotating, locking rim for easy bag changes
- Quiet-Close™ lid closes gently and silently
- Space-saving profile fits snugly against wall or cabinets
- Hinge design protects wall from scuffs
- Removable plastic liner is easy to clean
- Cleans easily with a microfiber cloth. No need for chemicals or abrasives

### Material

- Available in stainless steel or black stainless steel

### Recommended Products/Accessories

K-23729 Stainless steel cleaner



### Codes/Standards


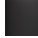

None Applicable

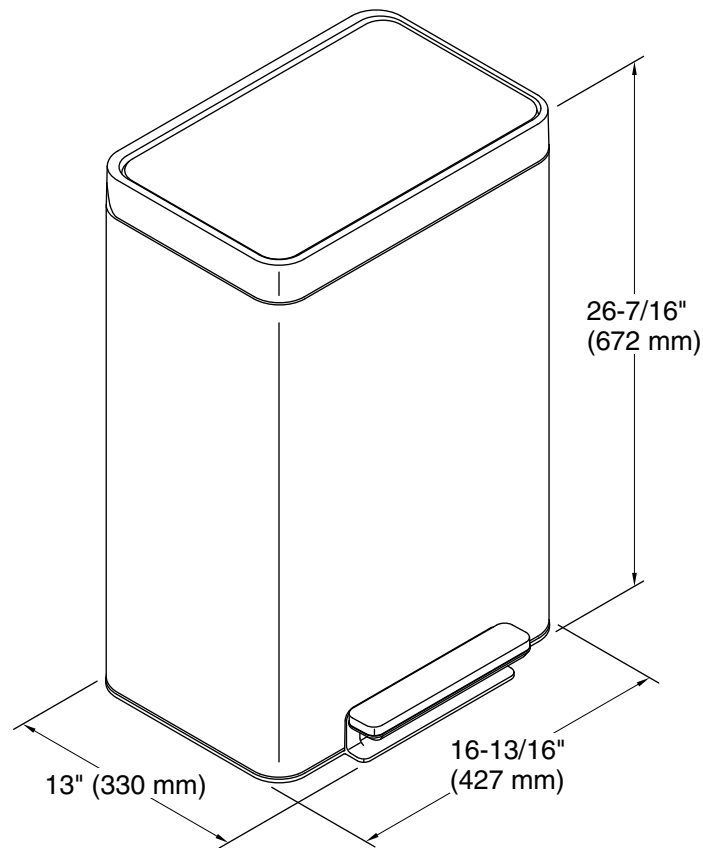
### KOHLER® Step Trash Can Ten-Year Limited Warranty

See website for detailed warranty information.

### Available Colors/Finishes

*Color tiles intended for reference only.*

Color	Code	Description
	ST	Stainless Steel
	BST	Black Stainless
	STW	White and Stainless Steel
	BSB	
	WMB	
	BKS	
	WCP	



## Technical Information

All product dimensions are nominal.

Material: Stainless Steel