

Features

- Compact, modern washdown urinal with no exposed bolt connections.
- 0.125 - 1.0 gpf (0.47 - 3.8 lpf).
- Winning design is perfect for contemporary bathrooms.
- Smooth contours make cleaning fixture fast and easy.
- Antimicrobial finish inhibits the growth of mold-, mildew-, stain-, and odor-causing bacteria on the fixture surface. This product does not protect users against bacteria, viruses, or other disease organisms. Always clean and wash this product thoroughly before and after each use.
- Back wall design provides superior splash containment.
- 3/4" (19 mm) top spud.

Material

- Vitreous china.

Technology

- Extended lip helps keep floor cleaner.
- Innovative trapway can be removed and replaced if necessary.

Installation

- Trapway secures urinal to wall, eliminating bolts for a faster installation.

Included Components

Additional Components:

- 2" outlet spud
- 3/4" inlet spud
- Hanger



ADA

Codes/Standards

ASME A112.19.2/CSA B45.1
DOE - Energy Policy Act 1992
EPA WaterSense®
California Energy Commission (CEC)
ADA
ICC/ANSI A117.1

KOHLER® One-Year Limited Warranty

See website for detailed warranty information.

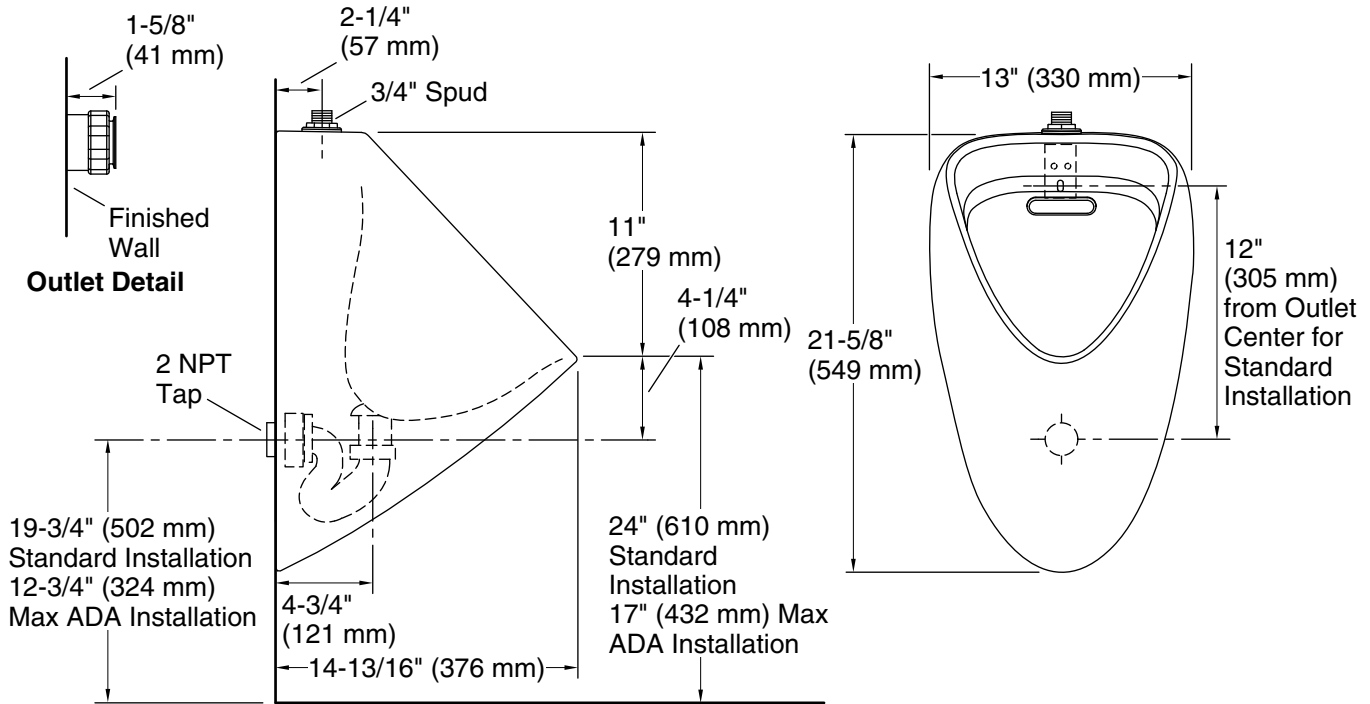
Available Colors/Finishes

Color tiles intended for reference only.

| Color | Code | Description |
|-------|------|-------------|
|-------|------|-------------|

| | | |
|-------------------------------------------------------------------------------------|---|-------|
|  | 0 | White |
|-------------------------------------------------------------------------------------|---|-------|

Note: Customer Connection Pipe must have 2" NPT External Thread.



Technical Information

All product dimensions are nominal.

| | |
|--------------------------|-------------------|
| Flush outlet technology: | Washdown |
| Spud size: | 3/4, Inlet, Top |
| Min. Water per Flush: | 0.125 gal (0.5 L) |
| Max. Water per Flush: | 1 gal (3.8 L) |

Designed for the above water use when installed with a water-saving flushometer.

Pressure and Supply Requirements

| | |
|--------------------------------|--------------------|
| Fixture pressure min (static): | 25 psi (172.4 kPa) |
| Fixture pressure max (static): | 80 psi (551.6 kPa) |

Notes

Install this product according to the installation instructions.

Refer to manufacturer's instructions and local codes for flushometer requirements.

ADA compliant when installed to the specific requirements of these regulations.