



Iron Plains® Capsule

Vessel bathroom sink

K-20213-LG

Features

- Elongated oval basin.
- Overflow drain.

Material

- KOHLER® enameled cast iron.
- Lavender Grey interior and painted underside.

Installation

- No faucet holes; requires wall-or counter-mount faucet.
- Vessel, drop-in, or under-mount.

Recommended Products/Accessories

K-23726 Drain treatment
K-23725 Cast iron cleaner



ADA CSA B651

Codes/Standards

ASME A112.19.1/CSA B45.2
ADA
ICC/ANSI A117.1
CSA B651

Lifetime Limited Warranty for KOHLER® Cast Iron Components

See website for detailed warranty information.

Available Colors/Finishes

Color tiles intended for reference only.

Color Code Description

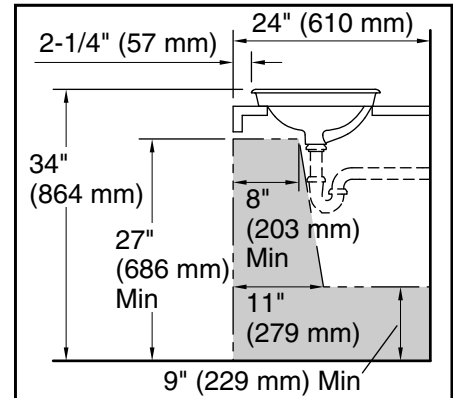
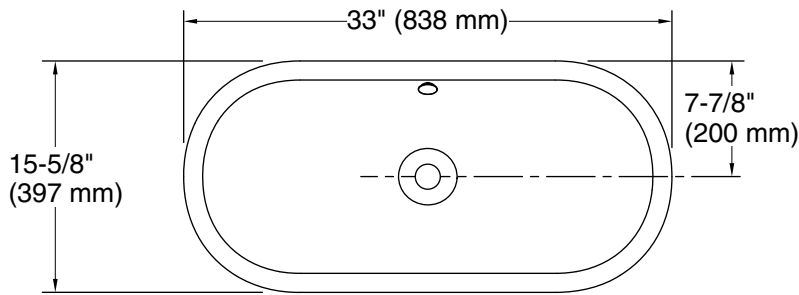
 GRL Grey Lavender



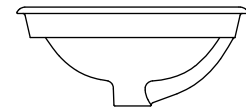
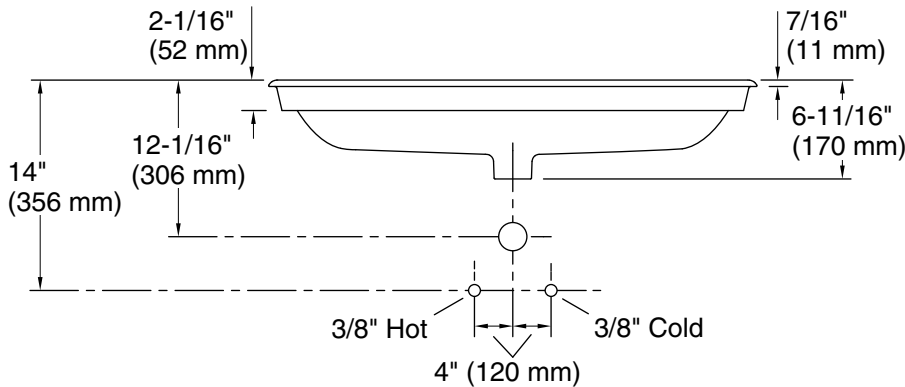
Iron Plains® Capsule

Vessel bathroom sink

K-20213-LG



Recommended ADA Installation



Technical Information

All product dimensions are nominal.

Installation: Drop-in, Under-mount, Vessel

Drain hole: 1-3/4" (44 mm)

Template: 1319049-7, required, included

Notes

Install this product according to the installation instructions.

NOTICE: Countertop manufacturer or cutter must use the cut-out template provided with the product, or a current one provided by Kohler Co. (call 1-800-4-KOHLER). Kohler Co. is not responsible for cutout errors when the incorrect cut-out template is used.

ADA, CSA B651 compliant when installed to the specific requirements of these regulations.