

## Features

- 36-inch minimum base cabinet width.
- Single bowl.
- 9-inch depth provides generous workspace.
- Three faucet holes.
- SilentShield® sound-absorption technology offers quieter performance.
- Includes installation hardware.

## Material

- 18-gauge stainless steel.

## Installation

- Top-mount.

## Recommended Products/Accessories

K-8801 Sink Strainer  
K-8799 Sink Strainer

## Included Components

Additional Components:  
Installation hardware

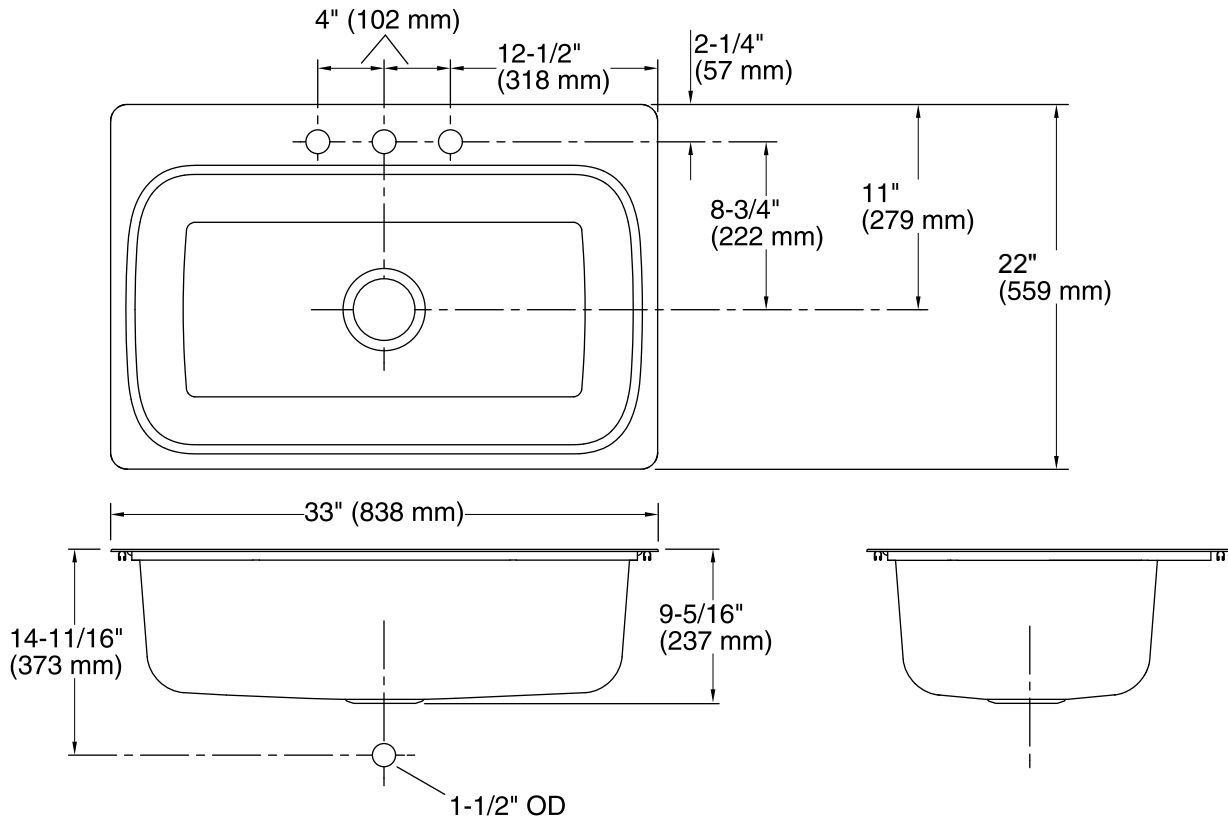


## Codes/Standards

ASME A112.19.3/CSA B45.4

## Lifetime Limited Warranty for KOHLER® Stainless Steel Sinks

See website for detailed warranty information.



## Technical Information

All product dimensions are nominal.

Installation: Top-mount  
Min. base cabinet width: 36" (914 mm)

Bowl area (Only): Length: 29-7/16" (748 mm)  
Width: 15-11/16" (399 mm)  
Bowl depth: 9" (229 mm)  
Water depth: 9" (229 mm)

Number of deck holes: 3  
Faucet hole spacing: 4" (102 mm)  
Faucet hole(s): 1-7/16" (37 mm)  
Drain hole: 3-3/4" (94 mm)

## Notes

Install this product according to the installation instructions.