

Features

- Antimicrobial finish inhibits the growth of mold-, mildew-, stain-, and odor-causing bacteria on the fixture surface.
- Ideal for healthcare and education installations.
- 8-inch center faucet holes.
- Oval basin.
- Overflow drain.
- Includes wall hanger.
- Combination consists of the K-1997-SS8 basin and the K-1998-SS shroud.

Material

- Vitreous china.

Installation

- Wall-mount
- Drilled for concealed arm carrier installation.

Optional Products/Accessories

K-8998 P-Trap



ADA CSA B651 OBC

Codes/Standards

ASME A112.19.2/CSA B45.1

ADA

ICC/ANSI A117.1

CSA B651

OBC

KOHLER® One-Year Limited Warranty

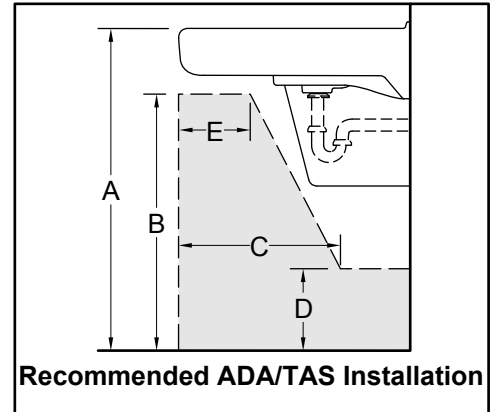
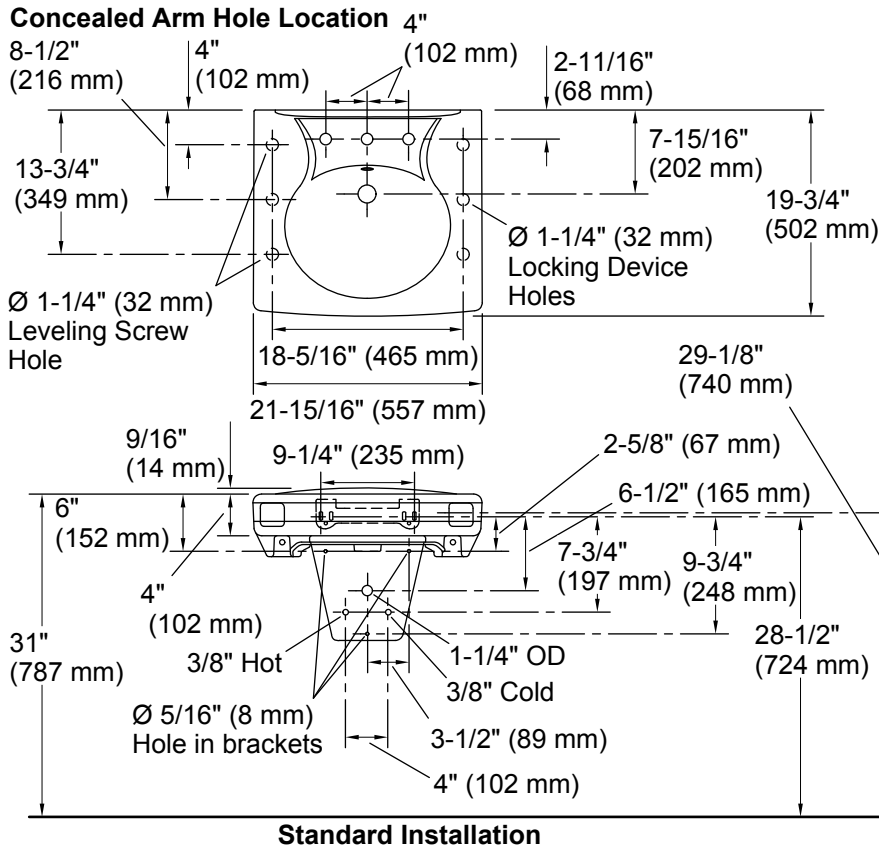
See website for detailed warranty information.

Available Colors/Finishes

Color tiles intended for reference only.

Color	Code	Description
-------	------	-------------

	0	White
--	---	-------



Recommended ADA/TAS installation:

	ADA and TAS	Children's Environment ADA and TAS Ages 6-12 yrs
A	34" (864 mm)	31" (787 mm)
B	27" (686 mm)	24" (610 mm)
C	11" (279 mm)	11" (279 mm)
D	9" (229 mm)	9" (229 mm)
E	8" (203 mm)	8" (203 mm)

Technical Information

All product dimensions are nominal.

Installation: Wall-mount
 Bowl area: Length: 14-3/8" (365 mm)
 Width: 12-5/16" (313 mm)
 Water depth: 3-1/4" (83 mm)
 Number of deck holes: 3
 Faucet hole spacing: 8" (203 mm)
 Faucet hole(s): 1-3/8" (35 mm)
 Drain hole: 1-3/4" (44 mm)

Notes

Install this product according to the installation instructions.
 ADA and TAS standards permit parallel approach for children ages 5 years and younger.
 ADA, OBC, CSA B651 compliant when installed to the specific requirements of these regulations.