

### Features

- Antimicrobial finish inhibits the growth of mold-, mildew-, stain-, and odor-causing bacteria on the fixture surface.
- Ideal for healthcare and education installations.
- 4-inch center faucet holes.
- Oval basin.
- Overflow drain.
- Includes wall hanger.
- Combination consists of the K-1997-SS4 basin and the K-1998-SS shroud.

### Material

- Vitreous china.

### Installation

- Wall-mount
- Drilled for concealed arm carrier installation.

### Optional Products/Accessories

K-8998 P-Trap



ADA

CSA B651

OBC

### Codes/Standards

ASME A112.19.2/CSA B45.1

ADA

ICC/ANSI A117.1

CSA B651

OBC

### KOHLER® One-Year Limited Warranty

See website for detailed warranty information.

### Available Colors/Finishes

*Color tiles intended for reference only.*

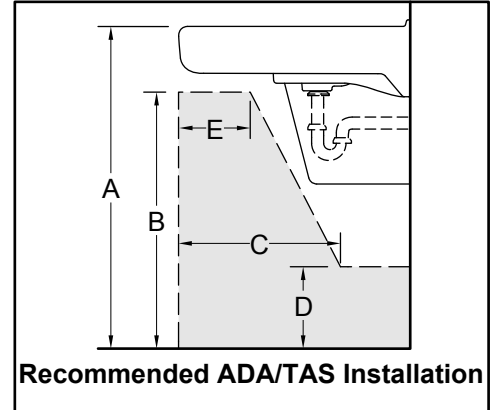
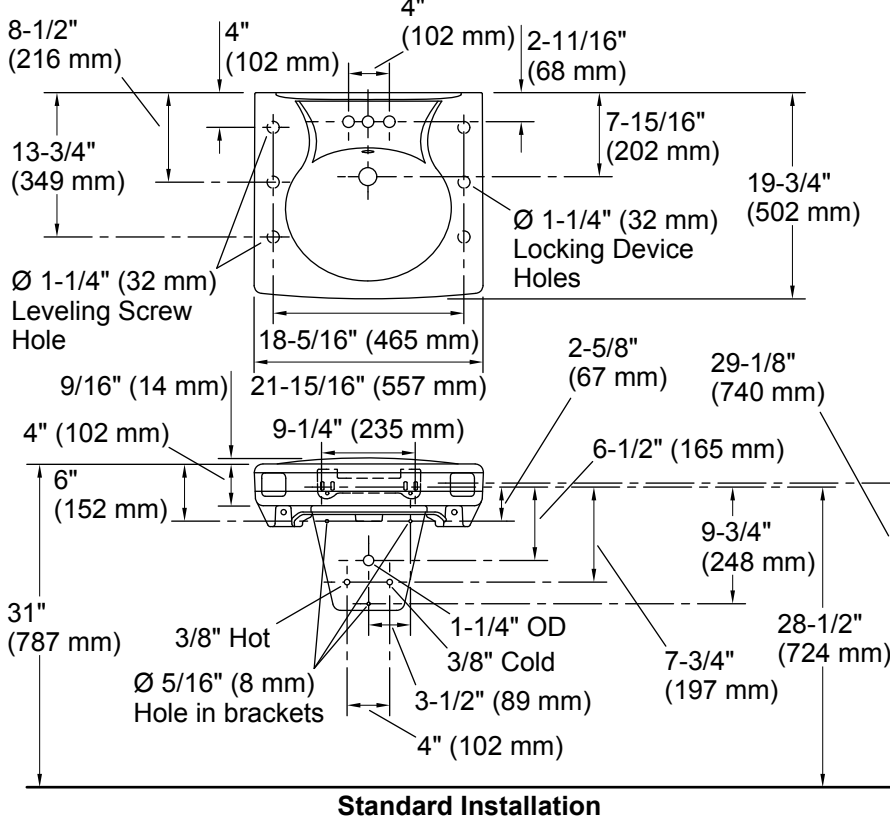
| Color | Code | Description |
|-------|------|-------------|
|-------|------|-------------|



0

White

### Concealed Arm Hole Location



### Recommended ADA/TAS installation:

|   | ADA and TAS  | Children's Environment<br>ADA and TAS<br>Ages 6-12 yrs |
|---|--------------|--|
| A | 34" (864 mm) | 31" (787 mm)   |
| B | 27" (686 mm) | 24" (610 mm)   |
| C | 11" (279 mm) | 11" (279 mm)   |
| D | 9" (229 mm)  | 9" (229 mm)  |
| E | 8" (203 mm)  | 8" (203 mm)  |

### Technical Information

All product dimensions are nominal.

|                       |   |
|-----------------------|---|
| Installation:         | Wall-mount  |
| Bowl area:            | Length: 14-3/8" (365 mm)<br>Width: 12-5/16" (313 mm)<br>Water depth: 3-1/4" (83 mm) |
| Number of deck holes: | 3   |
| Faucet hole spacing:  | 4" (102 mm)   |
| Faucet hole(s):       | 1-3/8" (35 mm)  |
| Drain hole:           | 1-3/4" (44 mm)  |

### Notes

Install this product according to the installation instructions.

ADA and TAS standards permit parallel approach for children ages 5 years and younger.

ADA, OBC, CSA B651 compliant when installed to the specific requirements of these regulations.