



Underscore® Rectangle

66" x 32" heated whirlpool bath
K-1822-JH

Features

- Eight Flexjet® hydromassage jets can be individually adjusted for water flow and direction.
- Variable-speed pump for adjusting hydromassage intensity.
- Built-in heater.
- Slotted overflow allows for deep soaking.
- Spacious design accommodates up to two bathers.
- Integral lumbar support.
- Textured bottom surface.

Material

- Acrylic.

Installation

- Drop-in or undermount.
- Reversible drain.

Required Products/Accessories

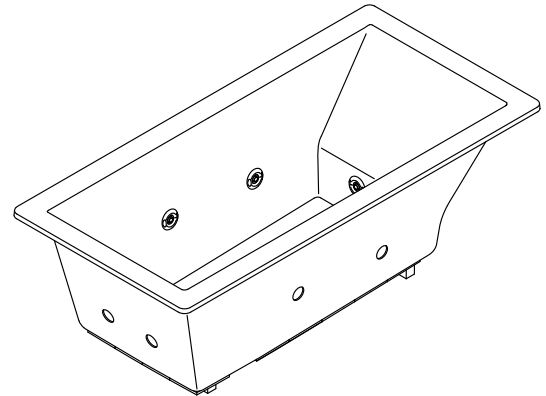
K-7271 Brass Slotted Overflow Bath Drain
K-9698 Flexjet® Whirlpool Trim Kit

or

K-7272 PVC Slotted Overflow Bath Drain
K-9698 Flexjet® Whirlpool Trim Kit

Recommended Products/Accessories

K-1491 Bath/Whirlpool Pillow
K-1601 Bath/whirlpool footstop, removable
K-9497 2-1/2" Keypad Trim
K-24916 Wireless Music Kit
K-550 Under-Mount Installation Kit



Codes/Standards






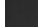
ASME A112.19.7/CSA B45.10
CSA B45.5/IAPMO Z124
ASTM E162
ASTM E662
UL 1795
CSA C22.2 No. 218.2

KOHLER® Hydrotherapy Components Five-Year Limited Warranty

See website for detailed warranty information.

Available Colors/Finishes

Color tiles intended for reference only.

Color	Code	Description
	0	White
	96	Biscuit
	NY	Dune
	95	Ice™ Grey
	58	Thunder™ Grey
	7	Black Black™

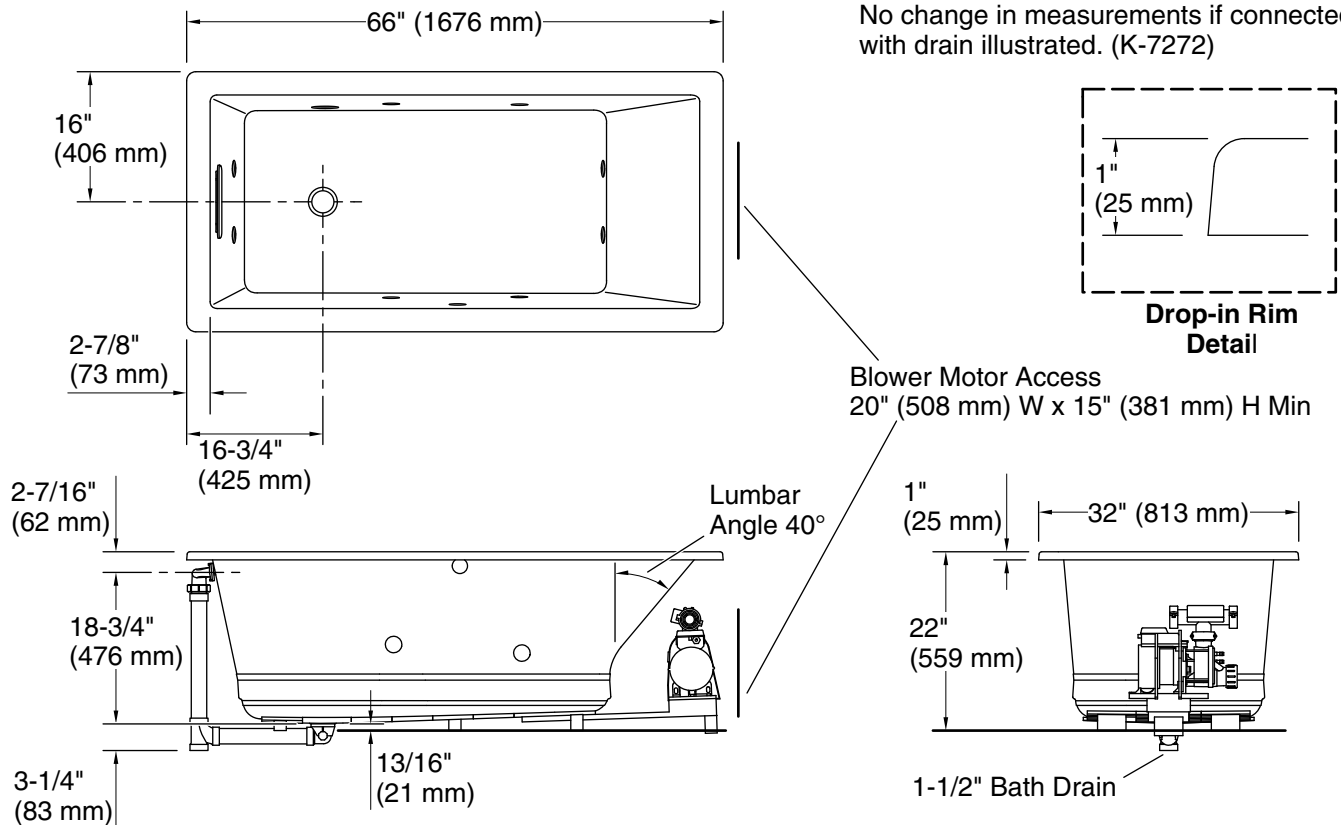
1-800-4KOHLER (1-800-456-4537)

Kohler Co. reserves the right to make revisions without notice to product specifications.

For the most current Specification Sheet, go to www.kohler.com.

8-7-2021 05:01 - US/CA

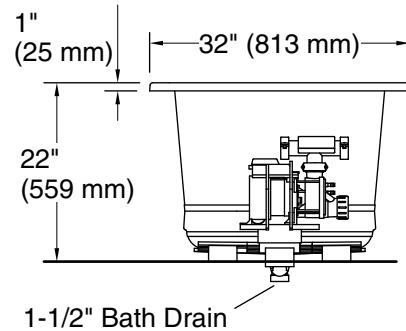
THE BOLD LOOK
OF **KOHLER**®



No change in measurements if connected with drain illustrated. (K-7272)

Drop-in Rim Detail

Blower Motor Access
20" (508 mm) W x 15" (381 mm) H Min



Required Electrical Service

Two dedicated circuits required, protected with Class A Ground-Fault Circuit-Interrupter (GFCI). Outside North America, this device may be known as a Residual Current Device (RCD).

Pump: 120 V, 15 A, 60 Hz
Heater: 120 V, 15 A, 60 Hz

Technical Information

All product dimensions are nominal.

Installation: Drop-in, Undermount
Drain location: Reversible
Basin area, bottom: 44-7/16" x 22-1/2" (1129 mm x 572 mm)
Basin area, top: 60-3/16" x 26-3/16" (1528 mm x 665 mm)
Weight: 154.8 lbs (70.2 kg)
Minimum floor load: 83 lbs/ft² (405.2 kg/m²)
Water depth: 17-11/16" (450 mm)
Water capacity: 85.8 gal (324.8 L)
Cutout: Drop-in, 64-1/2" x 30-1/2" (1638 mm x 775 mm)
Electrical component rating: Pump: 120 V, 7 A, 60 Hz
Heater: 120 V, 12 A, 60 Hz

Notes

Measure your actual product for rough-in details.

Install this product according to the installation instructions.

The hot water supply should be 70% of the capacity of the bath or greater. Installations will vary.