

## Features

- Two handle installation for 8" - 16" centers.
- UltraGlide engineered ceramic disc valves exceed industry longevity standards two times for a lifetime of durable performance.
- Premium metal construction.
- Handles pre-assembled on valves to simplify installation.
- Red/blue indexing.
- Vertical spray.
- Fixture-mount transfer valve/vacuum breaker.

## Material

- KOHLER finishes resist corrosion and tarnishing.



## Codes/Standards



ASME A112.18.1/CSA B125.1  
ASSE 1001

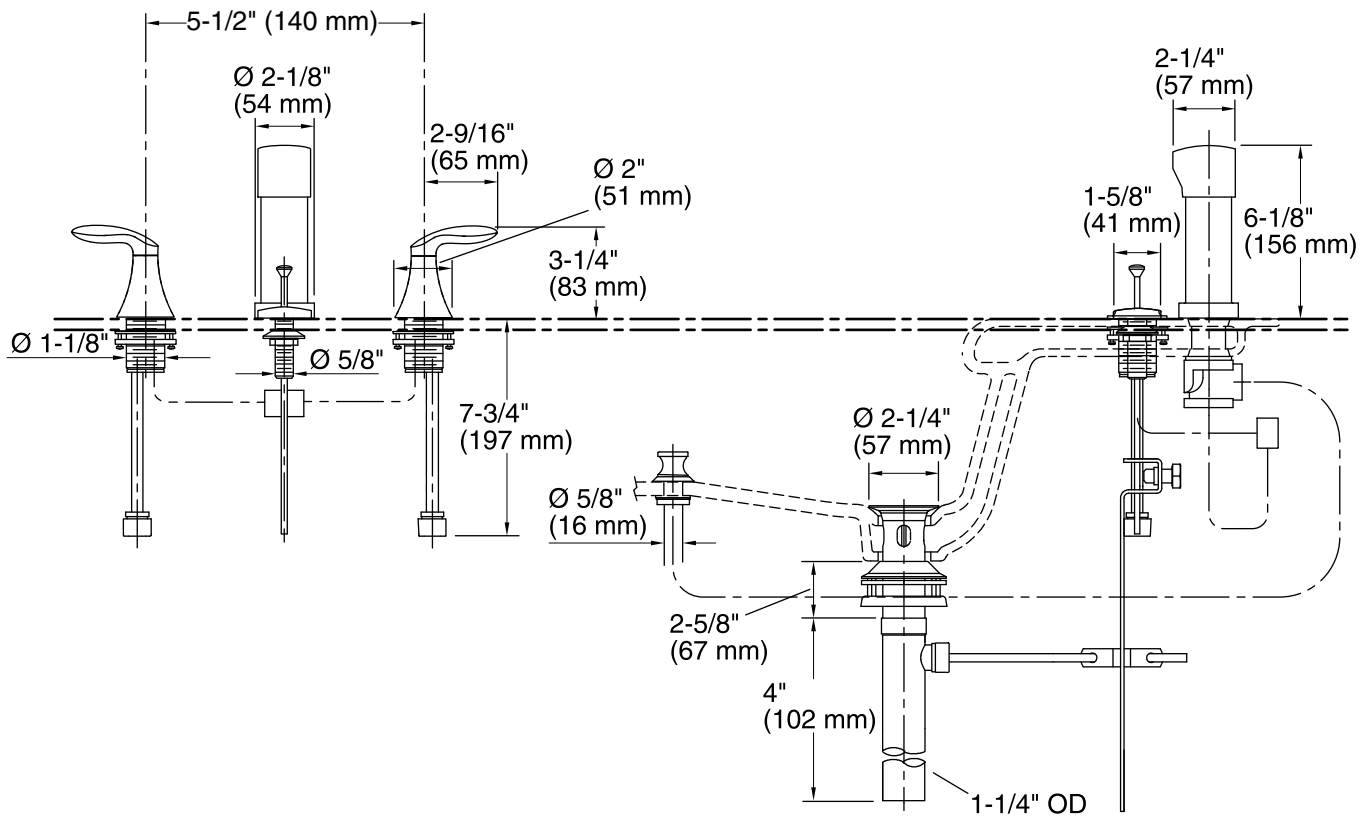
## KOHLER® Faucet Lifetime Limited Warranty

See website for detailed warranty information.

## Available Colors/Finishes

*Color tiles intended for reference only.*

Color	Code	Description
	CP	Polished Chrome
	G	Brushed Chrome



## Technical Information

All product dimensions are nominal.

Valve body: Machined-brass  
 Drain with overflow: Yes  
 Drain tailpiece included: Yes

## Notes

Install this product according to the installation guide.