

### Features

- 4-7/8" non-diverter spout with slip-fit connection.
- Coordinates with Coralais faucets, accessories, and showering components to complete your bathroom.

### Material

- KOHLER finishes resist corrosion and tarnishing.
- Premium Metal Construction.
- KOHLER finishes resist corrosion and tarnishing.

### Installation

- Wall-mount
- Slip-fit connection



### Codes/Standards


ASME A112.18.1/CSA B125.1

### KOHLER® Faucet Lifetime Limited Warranty

See website for detailed warranty information.

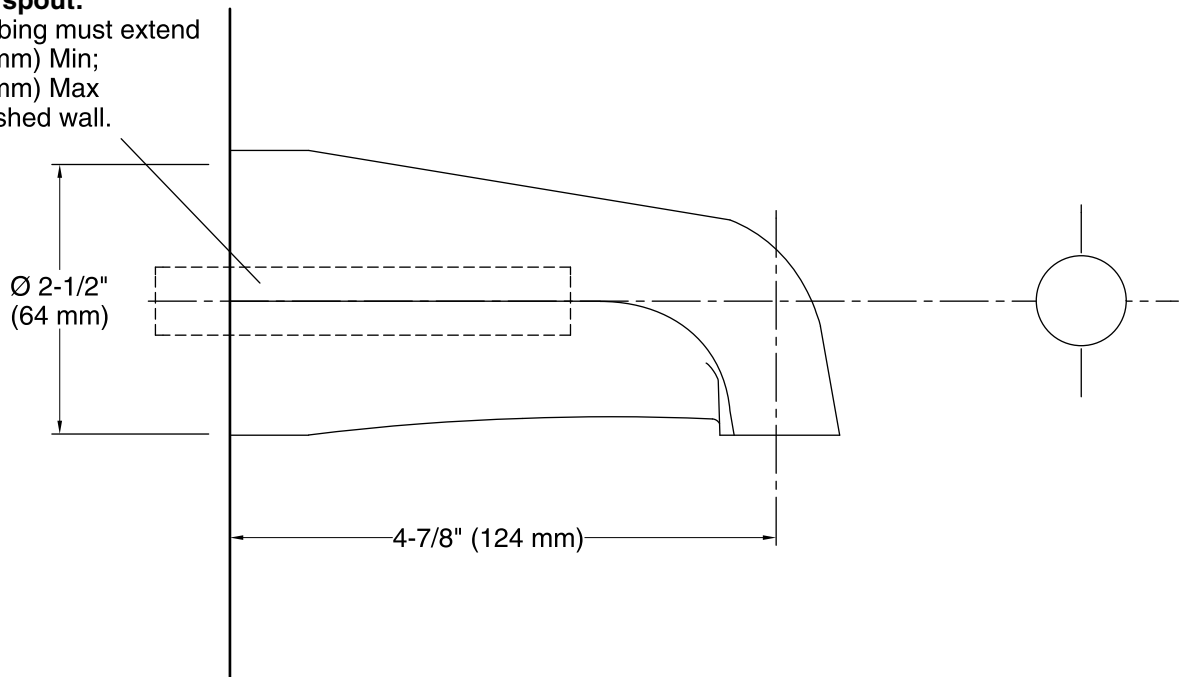
### Available Colors/Finishes

*Color tiles intended for reference only.*

| Color  | Code | Description             |
|--|------|-------------------------|
|  | CP   | Polished Chrome         |
|  | PB   | Vibrant® Polished Brass |
|  | G    | Brushed Chrome          |
|  | BN   | Vibrant® Brushed Nickel |

**For slip-fit spout:**

5/8" OD Tubing must extend  
1-1/2" (38 mm) Min;  
2-7/8" (73 mm) Max  
beyond finished wall.



### Technical Information

All product dimensions are nominal.

### Notes

Install this product according to the installation guide.