

Features

- Premium metal construction for durability.
- KOHLER finishes resist corrosion and tarnish.

Installation

- Tools and installation template included.

Included Components

Additional Components:

Installation hardware



ADA

Codes/Standards

ADA

ICC/ANSI A117.1






KOHLER® Faucet Lifetime Limited Warranty

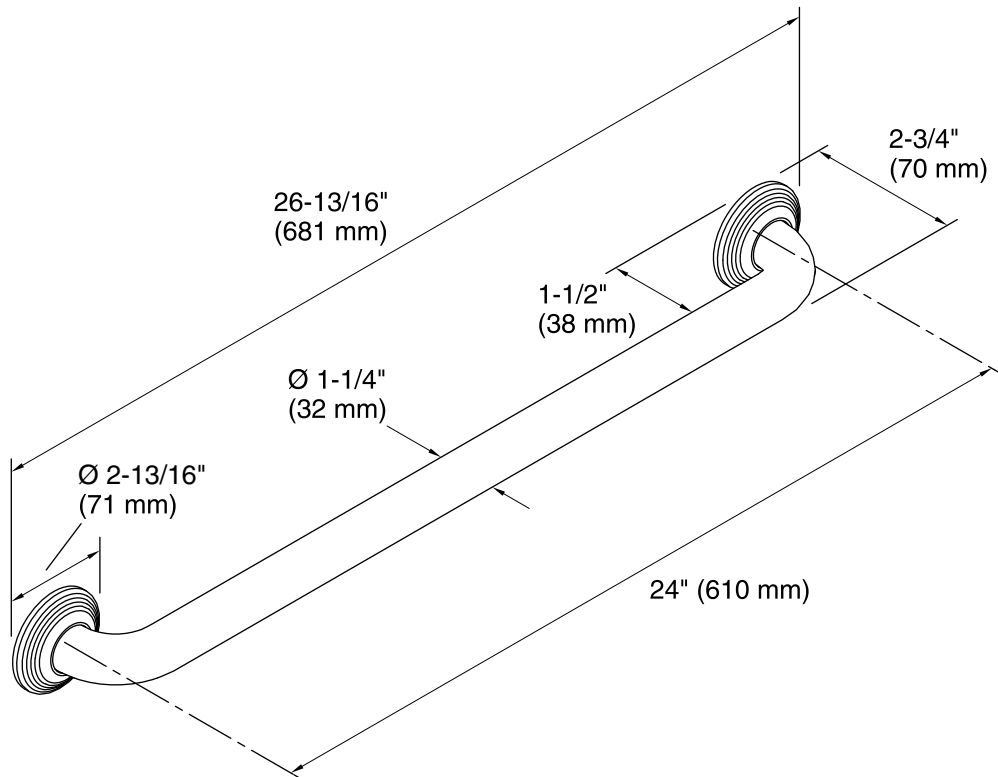
See website for detailed warranty information.

Available Colors/Finishes

Color tiles intended for reference only.

Color	Code	Description
-------	------	-------------

	S	Polished Stainless
	SN	Vibrant® Polished Nickel
	BN	Vibrant® Brushed Nickel
	BS	Brushed Stainless
	TT	Titanium



Technical Information

All product dimensions are nominal.

Material: Metal

Notes

Measure your actual product for roughing-in details.

WARNING: Risk of personal injury. The wall plates on the grab bar must be mounted to a brace between the wall studs. This will ensure that the weight of the user is adequately supported.

ADA compliant when installed to the specific requirements of these regulations.