

### Features

- Single-speed whirlpool offers performance and value, with 5 fully adjustable jets.
- Hydromassage flow and direction can be controlled at each jet.
- Built-in heater.
- Hourglass shape adds style and elegance to your bathroom.
- Integral flange helps prevent water from seeping behind wall and simplifies alcove installation.
- Textured bottom surface
- Left-hand drain.

### Material

- Acrylic

### Hydrotherapy

- Whirlpool

### Installation

- Three-wall alcove.

### Additional Hydrotherapy Options

- Soaking Bath - 1242-L
- Soaking Bath + Bask heated surface - 1242-LW
- BubbleMassage air bath - 1239-GLF
- VibrAcoustic - 1239-VBL
- VibrAcoustic + Bask heated surface - 1239-VBLW
- Whirlpool - 1239-L
- Whirlpool + heater - 1239-LH
- Whirlpool + Bask heated surface - 1239-LW

### Recommended Products/Accessories

- K-1278 Removable Apron
- K-7161-AF Bath Drain
- K-24916 Wireless Music Kit
- K-1601 Bath/Whirlpool Footstop
- K-7213 27" Cable Bath Drain
- K-7214 27" Cable Bath Drain
- K-37380 30" Rough-in Cable Bath Drain
- K-37383 30" Rough-in Cable Bath Drain
- K-37386 rough-in cable drain, PVC, 30" cable



### Codes/Standards

ASME A112.19.7/CSA B45.10  
CSA B45.5/IAPMO Z124  
ASTM E162  
ASTM E662  
UL 1795






**KOHLER® Plastic Baths and Receptors  
Lifetime Limited Warranty  
KOHLER® Hydrotherapy Components  
Five-Year Limited Warranty**

See website for detailed warranty information.

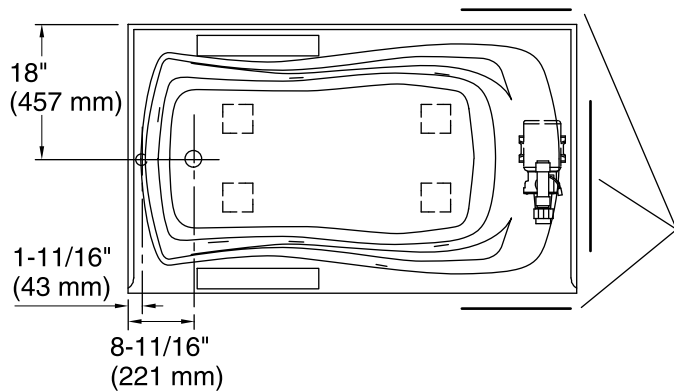
### Available Colors/Finishes

*Color tiles intended for reference only.*

Color	Code	Description
-------	------	-------------

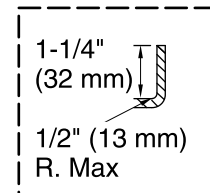
	0	White
	96	Biscuit
	47	Almond
	NY	Dune
	G9	Sandbar

No change in measurements if connected with drain illustrated. (K-7161-AF)

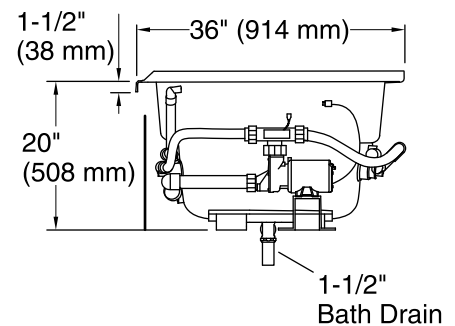
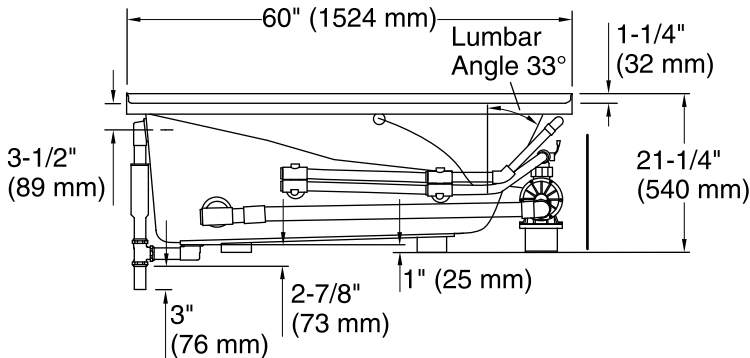


□ Recommended Faucet Location

Pump/Control Access  
(if apron is not used)  
20" (508 mm) W x  
15" (381 mm) H



Integral Flange Detail



### Required Electrical Service

Two dedicated circuits required, protected with Class A Ground-Fault Circuit-Interrupter (GFCI). Outside North America, this device may be known as a Residual Current Device (RCD).

Pump: 120 V, 15 A, 60 Hz  
Heater: 120 V, 15 A, 60 Hz

### Technical Information

All product dimensions are nominal.

Installation: Three-wall alcove  
Drain location: Left  
Basin area, bottom: 46" x 24" (1168 mm x 610 mm)  
Basin area, top: 54" x 27" (1372 mm x 686 mm)  
Weight: 110 lbs (49.9 kg)  
Minimum floor load: 44 lbs/ft<sup>2</sup> (214.8 kg/m<sup>2</sup>)  
Water depth: 14" (356 mm)  
Water capacity: 63 gal (238.5 L)  
Electrical component rating: Pump: 120 V, 7.5 A, 60 Hz  
Heater: 120 V, 12.5 A, 60 Hz, 1500 W  
Pump speed: Single  
Minimum flat for door: 2" (50 mm)

### Notes

Measure your actual product for rough-in details. Install this product according to the installation instructions.

The hot water supply should be 70% of the capacity of the bath or greater. Installations will vary.

Provide one grounded electrical outlet within 24" (610 mm) of each component.

If installing a rim-mount faucet, make sure there is no interference above or below the deck before drilling any holes.