

#### Features

- Flexible connections for easy installation.
- Pop-up drain with lift rod and tailpiece.
- Vertical spray.
- Fixture-mount transfer valve/vacuum breaker.
- Complements Bancroft® Suite.
- Quarter-turn washerless ceramic disc valves.

#### Material

- Metal construction.



#### Codes/Standards




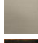

ASME A112.18.1/CSA B125.1  
ASSE 1001

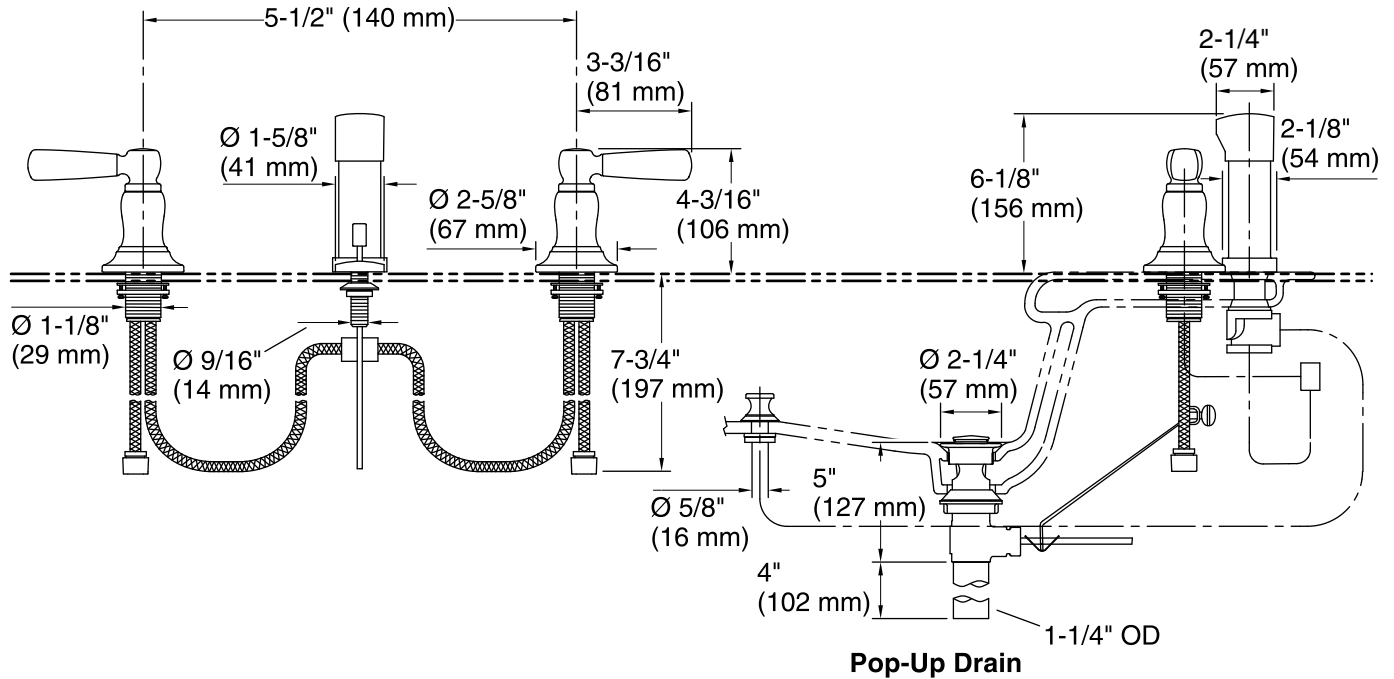
#### KOHLER® Faucet Lifetime Limited Warranty

See website for detailed warranty information.

#### Available Colors/Finishes

*Color tiles intended for reference only.*

Color	Code	Description
	CP	Polished Chrome
	SN	Vibrant® Polished Nickel
	BN	Vibrant® Brushed Nickel
	BV	Vibrant® Brushed Bronze
	2BZ	Oil-Rubbed Bronze



### Technical Information

All product dimensions are nominal.

### Notes

Install this product according to the installation instructions.