

Installation and Care Guide

Steam Generator

Français, page "Français-1"
Español, página "Español-1"

THE BOLD LOOK
OF **KOHLER**®

1230487-2-E

IMPORTANT SAFETY INSTRUCTIONS

READ AND FOLLOW ALL INSTRUCTIONS.

IMPORTANT! When installing and using this electrical equipment, basic safety precautions should always be followed, including the following:



WARNING: Risk of explosion. For dual steam generator installations, do not interconnect steam outlets. A separate steam line must be provided for each steam outlet.



CAUTION: Risk of electrocution. Disconnect the electricity to the working area at the main breaker panel before performing these installation steps.



CAUTION: Risk of injury. To reduce the risk of injury, do not permit children to use this product unless they are closely supervised at all times.



WARNING: Risk of personal injury.

- The wet surfaces of steam enclosures may be slippery. Use care when entering or leaving.
- The steam head is hot. Do not touch the steam head and avoid the steam near the steam head.
- Prolonged use of the steam system can raise excessively the internal human body temperature and impair the body's ability to regulate its internal temperature (hyperthermia). Limit your use of steam to 10 - 15 minutes until you are certain of your body's reaction.
- Excessive temperatures have a high potential for causing fetal damage during the early months of pregnancy. Pregnant or possibly pregnant women should consult a physician regarding correct exposure.
- Obese persons and persons with a history of heart disease, low or high blood pressure, circulatory system problems, or diabetes should consult a physician before using a steambath.
- Persons using medication should consult a physician before using a steambath since some medications may induce drowsiness while other medications may affect heart rate, blood pressure, and circulation.



WARNING: Risk of personal injury. If you become uncomfortable while taking a steambath, you should turn off the unit. Cool off with the shower, open the door, or exit the unit.



WARNING: Risk of personal injury. DO NOT consume alcoholic beverages or take medications/drugs before or when using the steambath. Alcohol and drugs affect mental judgment, greatly increase the risk of hyperthermia, and inhibit bodily functions such as heartbeat and respiration, resulting in potentially dangerous effects.



WARNING: Risk of allergic reaction. Before adding any oils, aromatic therapies, or skin care products to the aromatherapy well, make sure they will not cause an allergic reaction to the user.



CAUTION: Risk of personal injury. Do not plumb a trapway in the steam line or plumb the pressure relief valve into the steam line. Plumbing the pressure relief valve into the steam line can be hazardous if the steam outlet is capped.



CAUTION: Risk of personal injury or property damage. Avoid coming in contact with the water tank and/or steam discharge line while the steam generator is operating or shortly after shutdown. Wear eye protection and protective clothing when servicing the steam generator. The steam generator operates at high temperatures.



CAUTION: Do not use for space heating purposes.

IMPORTANT! Hyperthermia occurs when the internal temperature of the body reaches a level several degrees above the normal body temperature of 98.6°F (37°C). The symptoms of hyperthermia include an increase in the internal temperature of the body, dizziness, lethargy, drowsiness, and fainting. The effects of hyperthermia include:

- Failure to perceive heat
- Failure to recognize the need to exit the steambath

IMPORTANT SAFETY INSTRUCTIONS (cont.)

- Unawareness of impending risk
- Fetal damage in pregnant women
- Physical inability to exit the steambath
- Unconsciousness

IMPORTANT! Recommended feedwater quality should be: **Hardness** - less than 60 ppm (3.5 gpg); **Total Alkalinity** - greater than 150 ppm (8.8 gpg). Calcium scale buildup from hard water can prevent proper operation of the steam generator and may cause premature failure. To ensure proper operation, the feedwater supply should be tested before operating the steam generator. If feedwater quality is not within the specified limit, contact a reputable water treatment company for treatment options.

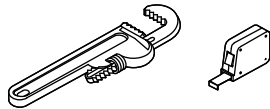
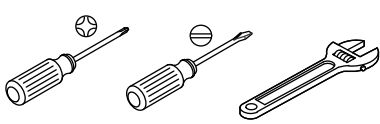
IMPORTANT! Maximum inlet water pressure is not to exceed 70 psi (483 kPa).

NOTICE: Use this unit only for its intended use as specified in this manual. **DO NOT** use attachments not recommended by Kohler Co.

NOTICE: Do not apply excessive heat to the steam generator connections when you solder connections. Do not apply flux or acids directly to the steam generator, as damage to the seals, plastic components, and trim finish may result. Do not apply petroleum-based lubricants to the steam generator components, as damage may result.

SAVE THESE INSTRUCTIONS.

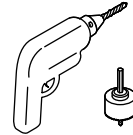
Tools and Materials



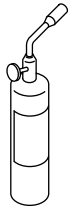
Solder



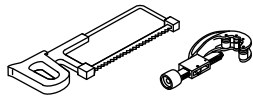
Sealant Tape



Drill w/ 1-1/4" & 2-1/2" Hole Bit



Propane Torch



Hacksaw or Tube Cutter

Plus:

- Drain/spill pan
- 1/2" copper tubing
- Assorted copper fittings
- Wire Cutters or Wire Strippers
- Conventional woodworking tools and materials
- 45 and 90 degree elbows
- Support Blocks (heat resistant)

Before You Begin

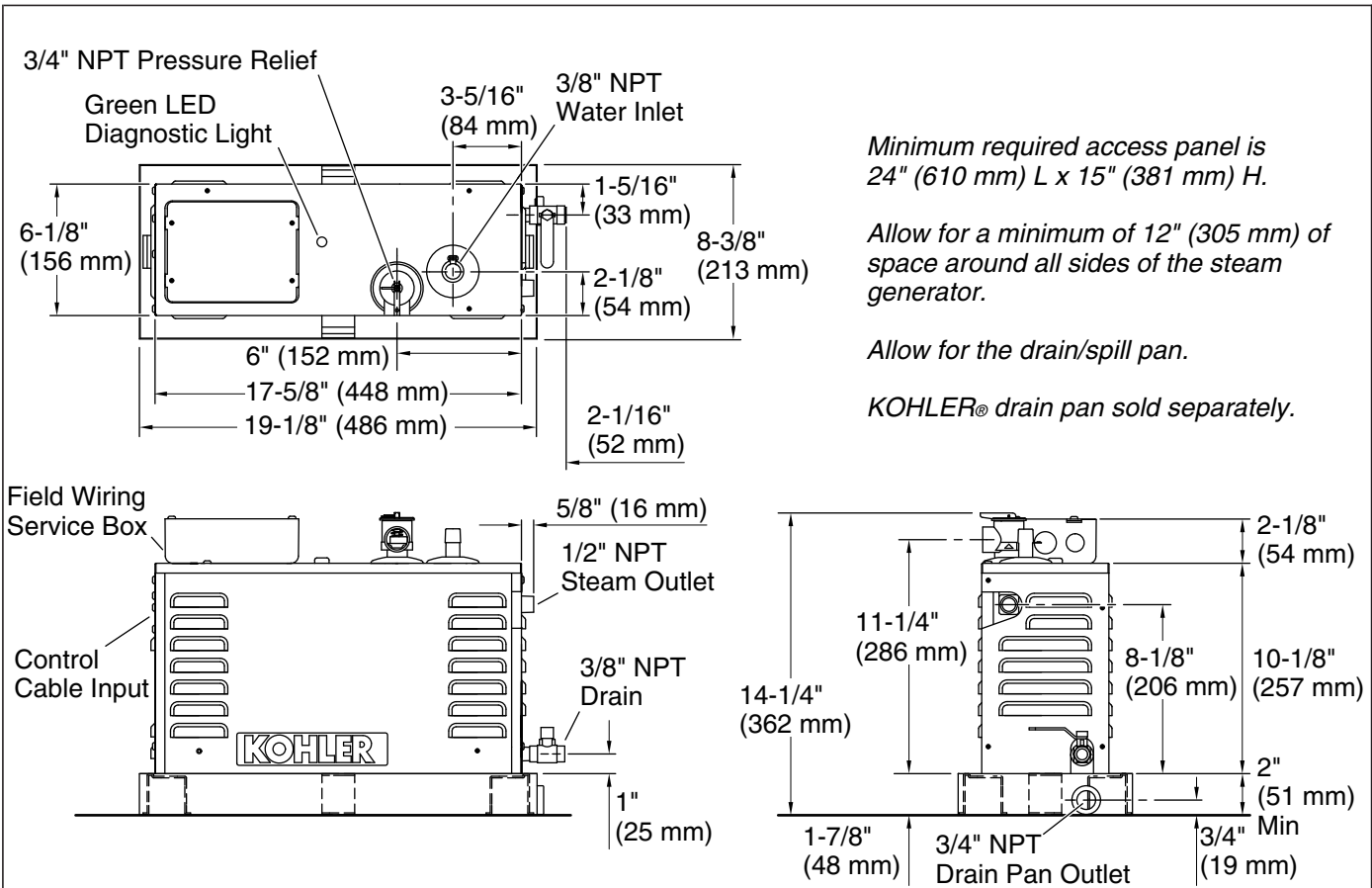
NOTE: The instructions in this installation guide cover both single and dual steam generator installations.

IMPORTANT! Provide an access panel of adequate size to permit removal of the steam generator for servicing.

- Inspect the product for any shipping damage. Do not install the unit if it is damaged. Contact Kohler Co. Customer Care Center using the information on the back of this guide.
- Follow all local plumbing and electrical codes. All electrical work should be done by a qualified electrician.
- Disconnect all power before making any electrical connections.

Before You Begin (cont.)

- Connect the steam generator to water supply lines that meet all applicable plumbing codes.
- For custom installations, locate the steam head 6" (152 mm) from the floor and 4-1/2" (114 mm) from the inside of the threshold.



Minimum required access panel is 24" (610 mm) L x 15" (381 mm) H.

Allow for a minimum of 12" (305 mm) of space around all sides of the steam generator.

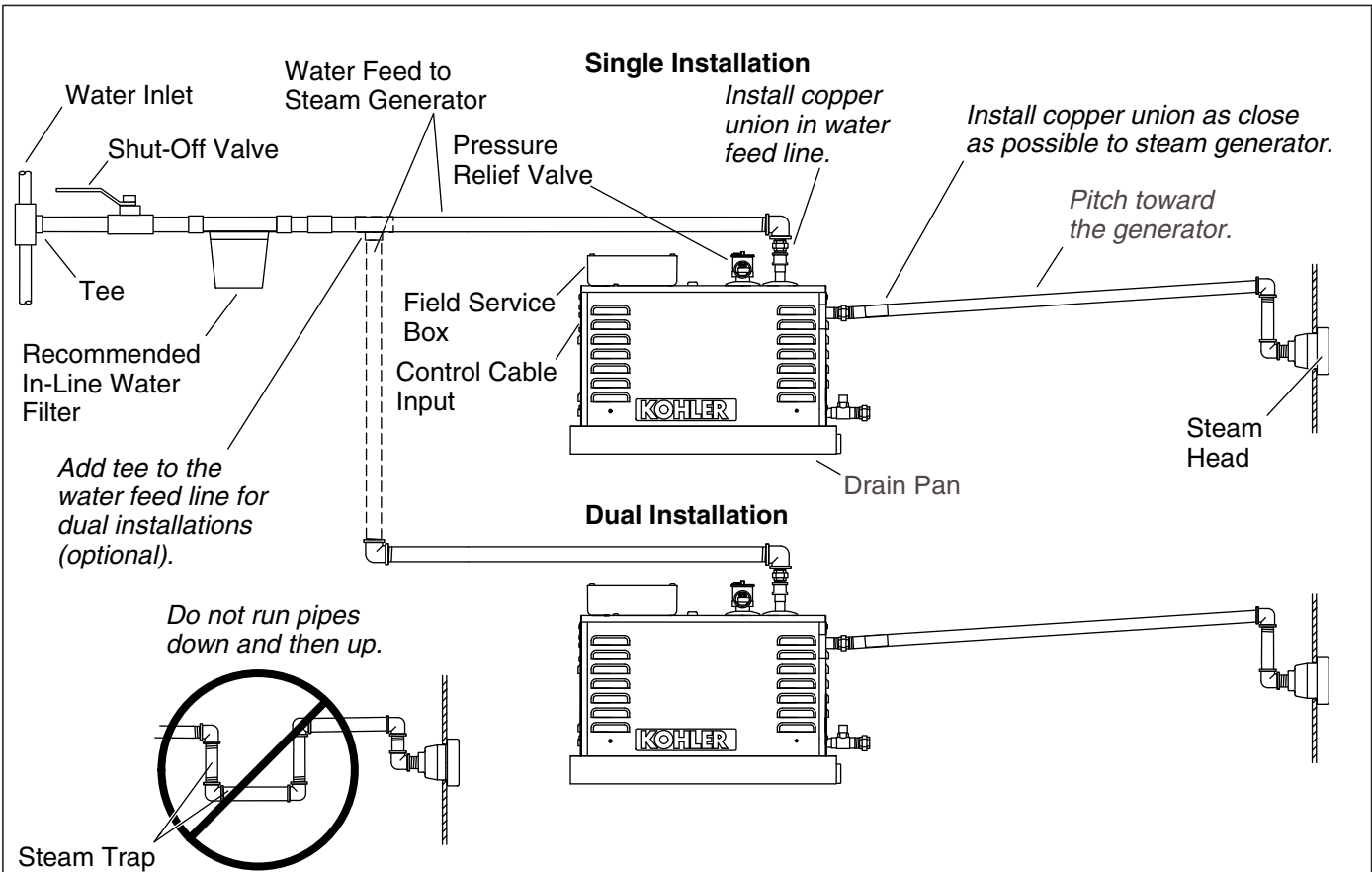
Allow for the drain/spill pan.

KOHLER® drain pan sold separately.

Roughing-In

NOTE: Use the dimensions in the diagram above for reference when determining the placement and clearance for the steam generator.

NOTE: Unions are supplied for the steam outlet and water inlet for connection to 1/2" copper pipe.



1. Determine the System Layout



WARNING: Risk of property damage. Allow a minimum of 12" (305 mm) of air space around the steam generator at all times. This provides an area for the heat generated by the unit to dissipate.

IMPORTANT! The minimum required access panel is 24" (610 mm) L x 15" (381 mm) H.

NOTICE: The steam generator will perform best when installed as close as possible to the steam head. The unit should be installed within 25' (7.62 m) of the steam head.

NOTICE: Large drops in the steam line can increase condensation and reduce the amount of steam produced. For optimum performance, do not install the steam generator above the level of the steam head.

NOTICE: The PowerClean function of the generator flushes through the steam head. An additional drain line is not required for this feature. The drain valve on the unit is to aid in emptying the unit before service. Plumbing is optional.

IMPORTANT! This steam generator must only be installed in the upright position as shown. The pressure relief valve location must be on top.

IMPORTANT! Contact Kohler Co. Customer Care Center if this steam generator will be installed at an elevation over 6000' (1829 m) above sea level. For installation at high elevations, the Customer Care Center will provide instructions on disconnecting the fast start coil.

NOTE: For optimum performance, use 45° elbows in the steam line when possible.

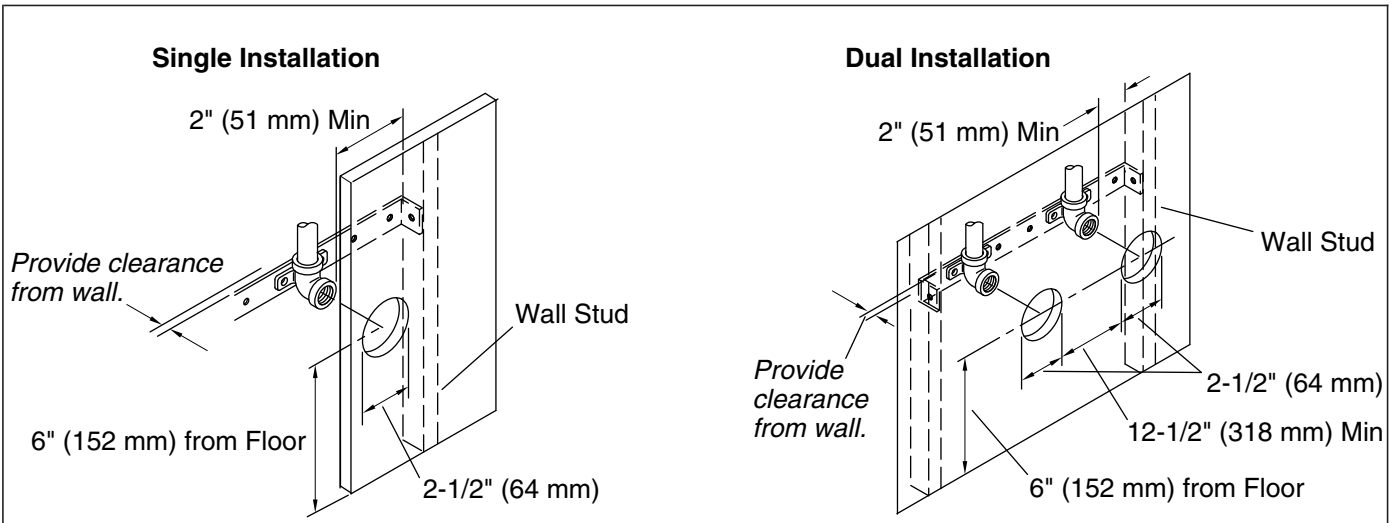
- Determine the location of the **steam generator**. Allow for a 12" (305 mm) air gap on all sides of the generator. Allow for a drain pan.
- Choose a drain pan appropriate for your installation (KOHLER drain pan is sold separately).

Determine the System Layout (cont.)

- Determine the location of the **water supplies** and **steam lines**. Ensure clearance between the steam line and any surrounding surfaces.
- Install this steam generator in a heated space to prevent freezing.
- Ensure that this steam generator is installed level.
- Allow for access to the steam generator after installation.
- Select the steam generator size based upon the steam room volumes identified below.

NOTE: For every additional foot of ceiling height above 8' (2.4 m), choose the next largest steam generator.

Steam Generator	Steam Room Volume - Cubic Feet (Cubic Meters)
5 kW	84 (2.4)
7 kW	112 (3.2)
9 kW	240 (6.8)
11 kW	317 (9.0)
18 kW	550 (15.6)
22 kW	634 (18.0)



2. Determine the Location of the Steam Hardware



WARNING: Risk of personal injury. Do not install the **steam control user interface** outside the steam enclosure. The user interface must be installed within the enclosure to allow the sensors to regulate the temperature and control the flow of steam.



WARNING: Risk of scalding. Do not block the steam head or locate it near a seat or bench, as the steam head is hot during operation and may scald the user if touched.

IMPORTANT! Do not install the control directly above or in-line with the steam head.

NOTICE: When installing the control kit, allow room in the control cable for a drip loop. The drip loop will discourage moisture from following the control cable to the steam generator.

NOTE: All dimensions should be taken from the inside of the shower. Refer to the Steam Control Kit Installation Guide for more dimensional and installation information.

- Dual steam heads can be installed on opposite walls to improve steam distribution.
- Determine the **steam head** location. Locate the steam head(s) 6" (152 mm) above the shower floor and a minimum of 4-1/2" (114 mm) away from the enclosure door threshold. The steam head location should be within 25' (7.62 m) of the steam generator.
- For single steam head installations, determine the **steam control user interface** location on the wall opposite the steam head.
- For dual steam head installations, determine the **steam control user interface** location on a different wall than the steam heads. Locate the user interface as far from the steam heads as practical.
- Locate the steam control user interface 60" (1524 mm) above the floor of the shower.
- Make sure that there is adequate clearance between the steam lines and any surrounding surfaces.

3. Install the Electrical Supply

Model	K-5525-NA	K-5526-NA	K-5529-NA	K-5531-NA	K-5539-NA	K-5543-NA
Generator Size	5 kW	7 kW	9 kW	11 kW	18 kW (2 - 9 kW)	22 kW (2 - 11 kW)
Required Electrical Service						
Generator Dedicated Circuit #1	240 V, 40 A, 50/60 Hz	240 V, 50 A, 50/60 Hz	240 V, 60 A, 50/60 Hz	240 V, 60 A, 50/60 Hz	240 V, 60 A, 50/60 Hz	240 V, 60 A, 50/60 Hz
Generator Dedicated Circuit #2	NA	NA	NA	NA	240 V, 60 A, 50/60 Hz	240 V, 60 A, 50/60 Hz

**Install the
Electrical
Supply
(cont.)**

Product Electrical Rating	240 V, 27 A, 60 Hz	240 V, 36 A, 60 Hz	240 V, 45 A, 60 Hz	240 V, 46 A, 60 Hz	240 V, 45 A, 60 Hz	240 V, 46 A, 60 Hz
------------------------------	-----------------------	-----------------------	-----------------------	-----------------------	-----------------------	-----------------------

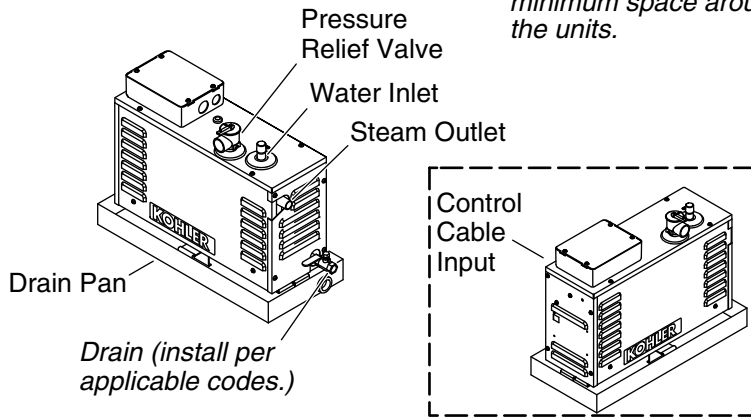


WARNING: Risk of electrocution. Disconnect the electricity to the working area at the main breaker panel before performing these installation steps.

NOTICE: Each steam generator requires a dedicated circuit. Dual steam generator installations require a second dedicated circuit.

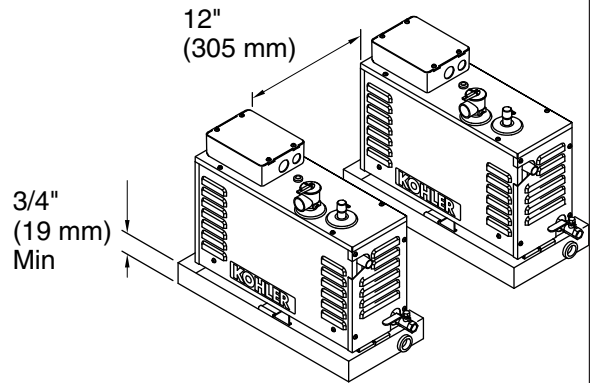
- Follow all local electrical codes. All electrical work should be done by a qualified electrician.
- In the chart above, find the electrical supply requirements for your steam generator.
- Install the appropriate electrical supply (install two dedicated supplies for dual steam generator installations).

Single Installation



Maintain a 12" (305 mm) minimum space around the units.

Dual Installation



4. Install the Steam Generator



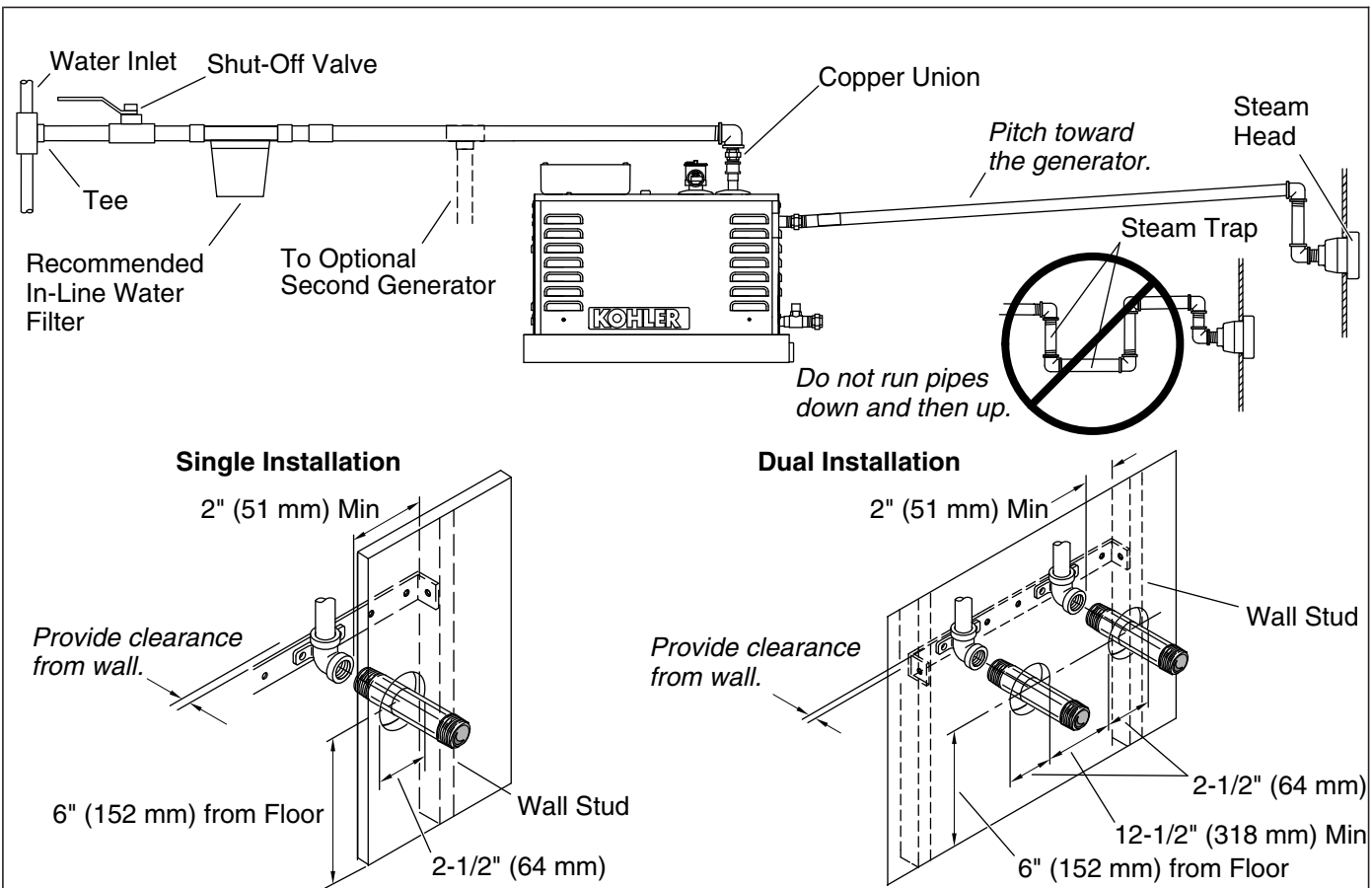
WARNING: Risk of property damage. Allow a minimum of 12" (305 mm) of air space around the steam generator at all times. This provides an area for the heat generated by the unit to dissipate.

NOTICE: For optimum performance, install the steam generator as close as possible to the steam head. The steam generator must be installed within 25' (7.62 m) of the steam head.

- Install the desired drain pan at the steam generator location. Kohler Co. recommends using a KOHLER drain pan.

IMPORTANT! If a KOHLER drain pan is NOT being used, construct the support blocks using heat-resistant material.

- Position the steam generator on the support blocks.



5. Install the Water Supply and Steam Line



WARNING: Risk of personal injury or property damage. Do not plumb the pressure relief valve into the steam line. Plumbing the pressure relief valve into the steam line can create a hazard if the steam line is blocked or obstructed.



WARNING: Risk of scalding. Do not plumb a trapway, shut-off valve, or pressure relief valve into the steam line. Plumbing the pressure relief valve into the steam line can be hazardous, if the steam outlet is capped.



WARNING: Risk of scalding. Do not connect the drain valve outlet to the steam line. Ensure that there are no valleys or dips in the steam line.



WARNING: Risk of personal injury or property damage. Do not direct the pressure relief valve to the enclosure. In the event the pressure relief valve activates, the hot water may spray causing burns to the user and/or damage to the enclosure. Therefore, the pressure relief valve should be directed to an area where damage will not occur from contact with hot water and should conform to national and local plumbing codes.

Install the Water Supply Line to the Generator

NOTE: For all NPT threaded connections, use pipe tape or pipe sealant. Do not overtighten the fittings.

- Connect to an existing cold water line, and run a 1/2" cold water line to a shut-off valve before the in-line water filter.
- Before final connection to the steam generator, flush out the water supply line into a large pail. This removes any debris, silt, sand, or other material that may be in the line. Make sure that the filter screen is in place in the water inlet tube.
- Install 1/2" copper tubing with a union fitting (supplied with the steam generator) located as close as possible to the steam generator.

Install the Water Supply and Steam Line (cont.)

- Connect the water supply line to the steam generator.
- Turn on the water supply, and fill the steam generator with water. Check for leaks.
- Check that the water drain valve on the generator is closed.

NOTICE: Steam generators are equipped with an automatic shut-off. The water will stop after the unit is full. If the water flows out of the steam outlet, shut off the water and consults the "Troubleshooting" or contact the Customer Care Center using the information located on the back of this document.

- If the water supply line exceeds 10' (3 m) or is exposed to cold areas, insulate the piping with appropriate insulation.

Install the Steam Line



WARNING: Risk of scalding. Do not locate the steam head near a seat or bench. Scalding may occur upon contact with the steam head.

NOTICE: Never run the steam line down, then up. Running the steam line down and then up will create a steam trapway, blocking the flow of steam. The steam line should run up to the steam head from the steam generator, at a pitch of 3/8" (10 mm) to 1/2" (13 mm) per 12" (305 mm) of pipe.

NOTICE: Provide clearance between the back wall and the elbow leading into the steam housing. The elbow must not contact any wall material.

NOTICE: Provide clearance between the steam line and surrounding surfaces.

NOTICE: Do not apply excessive heat to the generator connections when you solder connections. Do not apply flux or acids directly to the steam generator, as damage to the seals, plastic components, and trim finish may result. Do not apply petroleum-based lubricants to the steam generator components, as damage may result.

NOTE: Use thread sealant tape or pipe sealant for threaded connections. Do not overtighten the fittings.

NOTE: Use 1/2" copper tube for the steam line.

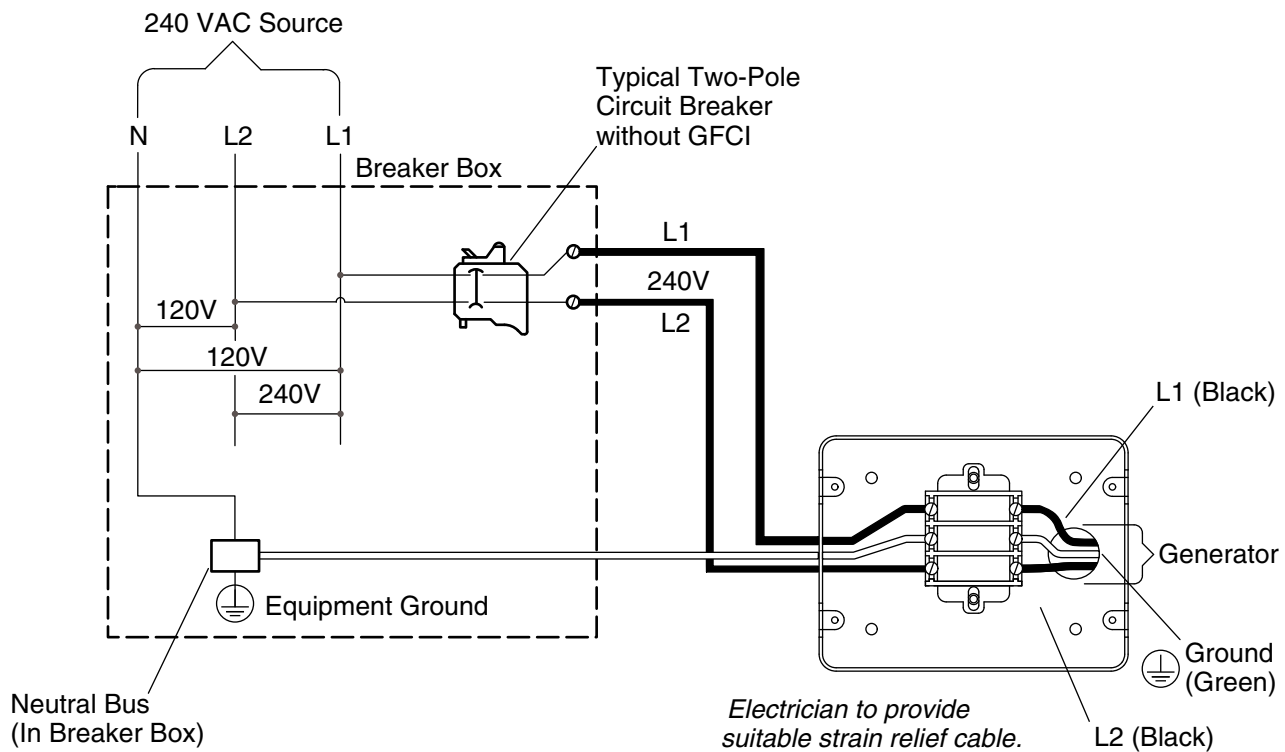
NOTE: When possible, use 45° elbows. Performance will be increased when 45° elbows are used.

NOTE: Always install a union fitting (supplied) as close as possible to the steam generator.

- Add blocking behind the desired steam head location.
- Install and secure a 1/2" NPT elbow to the blocking directly behind the desired steam head location.
- Install a temporary 1/2" copper nipple that extends through the finished wall.

Model Product Information

Model	K-5525-NA	K-5526-NA	K-5529-NA	K-5531-NA	K-5539-NA	K-5543-NA
Weight	29 lb (13.2 kg)	29 lb (13.2 kg)	29 lb (13.2 kg)	29 lb (13.2 kg)	48 lb (21.8 kg)	48 lb (21.8 kg)
Water Supply	1/2" copper line	1/2" copper line	1/2" copper line	1/2" copper line	1/2" copper line	1/2" copper line
Steam Line	1/2" copper line	1/2" copper line	1/2" copper line	1/2" copper line	1/2" copper line	1/2" copper line
Pressure Relief Valve (supplied)	3/4" NPT female thread	3/4" NPT female thread	3/4" NPT female thread	3/4" NPT female thread	3/4" NPT female thread	3/4" NPT female thread
Drain Line Valve	3/8" NPT	3/8" NPT	3/8" NPT	3/8" NPT	3/8" NPT	3/8" NPT



6. Connect the Electrical Supply



WARNING: Risk of electrocution. Disconnect all power before performing these installation steps.

NOTICE: All electrical work should be done by a qualified electrician.

NOTICE: All electrical wiring must be done in accordance with local codes.

NOTICE: Each steam generator requires a dedicated circuit. Dual steam generator installations require a second dedicated circuit.

IMPORTANT! Make sure that the water supply to the steam generator is turned on before connecting the electrical supply.

Connect the Power

- Turn off all electricity to the working area at the main circuit breaker panel.
- Connect a 240 VAC electrical line to the wires labeled "L1," "L2," and the green (ground) wire coming out of the steam generator field service box located on top of the steam generator.
- Confirm that the ground connection has been made in the field service box.
- Close the field service box.
- Turn on the main power.
- The function light should display a green light. If the function light is not green, consult the "Troubleshooting" section or contact the Customer Care Center using the number located on the back of this document.



Warning Label

7. Complete the Installation

- Remove the adhesive backing from the warning label provided and apply the label to the wall of the shower or steam enclosure.
- Install the steam housing and steam head following the instructions packed with the Steam Control Kit.
- Install the steam control following the instructions packed with the Steam Control Kit.
- To operate the steam control, follow the operating instructions provided with the Steam Control Kit.

Troubleshooting



CAUTION: Risk of personal injury. Troubleshooting steps involving internal wiring or electrical connections should be performed by a qualified electrician.

NOTE: The troubleshooting steps below only apply to the steam generator itself. For issues involving the steam control, refer to the "Troubleshooting" section for the Steam Control Kit.

NOTE: For service parts information, visit your product page at kohler.com/serviceparts.

This troubleshooting guide is for general aid only. For service and installation issues and concerns, call 1-800-4KOHLER.

Symptoms	Probable Causes	Recommended Action
1. The green LED light is not on, and there is no steam from the steam head.	A. No electrical power at the steam generator.	A1. Reset the electrical power at the circuit breaker.
		A2. Have a qualified electrician verify that 240 V of power is present at the steam generator.
	B. Circuit breaker is in the "Off" position.	B. Turn on the electrical power at the breaker.
	C. Circuit breaker is not the correct size.	C. Verify that the circuit breaker is the correct size. Replace the circuit breaker if it is the wrong size.
	D. Electrical connection in the steam generator field service box is loose.	D. Turn off all electrical power to the steam generator. Have a qualified electrician open the steam generator field service box and check/repair the connections.

Troubleshooting (cont.)		
Symptoms	Probable Causes	Recommended Action
2. The green LED light is on, but there is no steam from the steam head.	A. The water is turned off.	A. Turn on the water supply.
	B. The inlet screen is plugged.	B. Remove and clean the inlet screen.
	C. Excessive back pressure caused by too long a run of piping or too many 90° elbows.	C. Move the steam generator closer to the steam head or use 45° elbows.
	D. Water blockage due to a steam trapway in the steam line. A steam trapway is caused by steam line piping running down from the steam generator and then back up to the steam head.	D. Change the steam pipe to slope down from the steam head to the steam generator.
	E. The steam control is not connected.	E1. Check the wiring connections according to the steam control installation and care guide. E2. Use the troubleshooting kit attached to the steam generator to troubleshoot connection problems.
3. There is a continuous flow of water from the steam head. Water flow during the power clean cycle is normal.	A. Internal steam generator components are not working.	A1. Shut off the water supply, and drain the water from the steam generator. Close the drain valve.
		A2. Partially open the water supply shut-off valve.
		A3. Allow the water to gradually fill the steam generator tank (may take several minutes). If the water continues to flow from the steam head, repeat A1 above.
		A4. Fully open the water supply shut-off valve.
		A5. On models with power clean option only: If water continues to flow from the steam head, run the power clean cycle.
	A6. If water continues to flow from the steam head, contact the Customer Care Center using the information on the back of this guide.	
B. The water supply is incorrectly connected to the steam generator.	B. Review this manual, and if necessary reconnect the water supply to the proper location.	
4. Steam is coming out of the steam head and the control is shut off.	A. Elevations over 6000' (1829 m) above sea level can cause water to boil at lower temperatures.	A. At elevations over 6000' (1829 m) above sea level contact Kohler Co. Customer Care Center for instructions on disconnecting the fast start coil.

Warranty

KOHLER Steam Generator THREE-YEAR LIMITED WARRANTY

Kohler steam generator units manufactured after September 15, 2001, are warranted to the original consumer purchaser to be free of manufacturing defects in material and workmanship during normal residential usage

Warranty (cont.)

for three (3) years from the date of installation. This warranty only applies to KOHLER steam generator units installed in the United States of America, Canada or Mexico ("North America").

If a defect is found in normal residential usage, Kohler Co. will, at its election, repair or replace the unit, or make appropriate adjustment. Damage caused by accident, misuse or abuse is not covered by this warranty. Proof of purchase (original sales receipt) must be provided to Kohler Co. with all warranty claims. Kohler Co. is not responsible for labor charges, removal charges, installation, or other consequential costs. In no event shall the liability of Kohler Co. exceed the purchase price of the unit.

If this unit is used commercially or installed outside of North America, Kohler Co. warrants the unit to be free from defects in material and workmanship for one (1) year from the date of installation with all other terms of this warranty applying except duration.

To obtain warranty service contact Kohler Co., either through your Dealer, Plumbing Contractor, Home Center or E-tailer or by writing Kohler Co., Attn: Customer Care Center, 444 Highland Drive, Kohler, WI 53044, USA, or by calling 1-800-4-KOHLER (1-800-456-4537) from within the USA and Canada, and 001-800-456-4537 from within Mexico, or visit www.kohler.com within the USA, www.ca.kohler.com from within Canada, or www.mx.kohler.com in Mexico.

KOHLER CO. AND/OR SELLER ARE PROVIDING THESE WARRANTIES IN LIEU OF ALL OTHER WARRANTIES, EXPRESSED OR IMPLIED, INCLUDING BUT NOT LIMITED TO THE IMPLIED WARRANTIES OF MERCHANTABILITY AND FITNESS FOR A PARTICULAR PURPOSE. KOHLER CO. AND/OR SELLER DISCLAIM ANY LIABILITY FOR SPECIAL, INCIDENTAL OR CONSEQUENTIAL DAMAGES. Some states/provinces do not allow limitations on how long an implied warranty lasts, or the exclusion or limitation of special, incidental or consequential damages, so these limitations and exclusions may not apply to you. This warranty gives you specific legal rights. You may also have other rights, which vary from state/providence to state/providence.

This is Kohler Co.'s exclusive written warranty.

Guide d'installation et d'entretien

Générateur de vapeur

INSTRUCTIONS IMPORTANTES DE SÉCURITÉ

LIRE ET SUIVRE TOUTES LES INSTRUCTIONS

IMPORTANT! Lors de l'installation et de l'utilisation de cet équipement électrique, toujours observer les mesures de sécurité de base, notamment :



AVERTISSEMENT: Risque d'explosion. Ne pas interconnecter les prises de vapeur pour les installations de générateurs de vapeur doubles. Une conduite de vapeur distincte doit être fournie pour chaque sortie de vapeur.



ATTENTION: Risque d'électrocution. Déconnecter l'alimentation électrique pour la zone de travail au niveau du disjoncteur principal avant d'exécuter ces étapes d'installation.



ATTENTION: Risque de blessures. Pour réduire les risques de blessures, ne jamais permettre à un enfant d'utiliser ce produit sans surveillance étroite en permanence.



AVERTISSEMENT: Risque de blessures.

- Les surfaces mouillées des enceintes de vapeur peuvent être glissantes. Procéder avec soin pour entrer ou sortir.
- La tête de diffusion de vapeur est chaude. Ne pas toucher la tête de diffusion de vapeur et éviter la vapeur à proximité de la tête de diffusion de vapeur.
- Une utilisation prolongée du système de vapeur peut élever la température interne du corps humain de manière excessive et compromettre la capacité du corps de réguler sa température interne (hyperthermie). Limiter l'utilisation de la vapeur à 10 à 15 minutes jusqu'à être certain de la réaction du corps.
- Des températures excessives ont un potentiel élevé de créer des lésions fœtales au cours des premiers mois d'une grossesse. Les femmes enceintes ou qui pourraient être enceintes doivent consulter un médecin en ce qui concerne l'exposition correcte.
- Les personnes obèses et celles qui ont des antécédents de maladie cardiaque, une pression artérielle basse ou élevée, des problèmes de l'appareil circulatoire, ou du diabète, doivent consulter un médecin avant d'utiliser un bain à vapeur.
- Les personnes utilisant des médicaments doivent consulter un médecin avant d'utiliser un bain à vapeur, étant donné que certains médicaments pourraient créer un endormissement, alors que d'autres médicaments pourraient compromettre la fréquence cardiaque, ainsi que la circulation et la pression artérielle.



AVERTISSEMENT: Risque de blessures. Si l'on commence à ressentir une gêne pendant que l'on prend un bain à vapeur, arrêter l'unité. Se refroidir avec la douche, ouvrir la porte, ou sortir de l'unité.



AVERTISSEMENT: Risque de blessures. NE PAS consommer de boissons alcoolisées et ne pas prendre de médicaments ou de drogues avant ou pendant l'utilisation du bain à vapeur. L'alcool et les drogues affectent le jugement mental, augmentent le risque d'hyperthermie de manière significative, et inhibent les fonctions corporelles, comme le battement du cœur et la respiration, ce qui se traduit par des effets qui pourraient être dangereux.



AVERTISSEMENT: Risque de réaction allergique. Avant d'ajouter des huiles, des traitements aromathérapeutiques ou des produits de soins de la peau au puits d'aromathérapie, s'assurer qu'ils ne causeront pas de réaction allergique pour l'utilisateur.

INSTRUCTIONS IMPORTANTES DE SÉCURITÉ (cont.)



ATTENTION: Risque de blessures. Ne pas plomber de blocage dans la conduite de vapeur et ne pas plomber la soupape de surpression dans la conduite de vapeur. Une soupape de surpression installée dans la conduite de vapeur peut créer un danger si la sortie de vapeur est recouverte d'un bouchon.



ATTENTION: Risque de blessures ou d'endommagement matériel. Éviter d'entrer en contact avec le réservoir d'eau et/ou la conduite d'évacuation de vapeur pendant que le générateur de vapeur fonctionne ou immédiatement après son arrêt. Porter des lunettes de protection des yeux et des vêtements de protection lors de l'entretien du générateur de vapeur. Le générateur de vapeur fonctionne à des températures élevées.



ATTENTION: Ne pas utiliser à des fins de chauffage d'espaces.

IMPORTANT! Une hyperthermie a lieu lorsque la température corporelle interne atteint un niveau dépassant de plusieurs degrés la température corporelle normale de 98,6°F (37°C). Les symptômes d'hyperthermie comprennent une hausse de la température corporelle interne, les étourdissements, une léthargie, une somnolence et les évanouissements. Les effets de l'hyperthermie comprennent :

- Une incapacité de percevoir la chaleur
- Une incapacité de reconnaître le besoin de sortir du bain à vapeur
- Ne pas être conscient du risque imminent
- Des lésions fœtales chez les femmes enceintes
- Une incapacité physique de sortir du bain à vapeur
- Une inconscience

IMPORTANT! La qualité recommandée de l'eau d'alimentation doit être la suivante : **Dureté** - moins de 60 ppm (3,5 gpg); **Alcalinité totale** - plus de 150 ppm (8,8 gpg). L'accumulation de tartre de calcium créée par de l'eau dure peut empêcher un fonctionnement adéquat du générateur de vapeur et peut créer une défaillance prématurée. Pour assurer un fonctionnement adéquat, l'alimentation de l'arrivée d'eau doit être testée avant de faire fonctionner le générateur de vapeur. Si la qualité de l'eau d'alimentation n'est pas comprise dans la limite spécifiée, s'adresser à une société de traitement des eaux réputée pour des options de traitement.

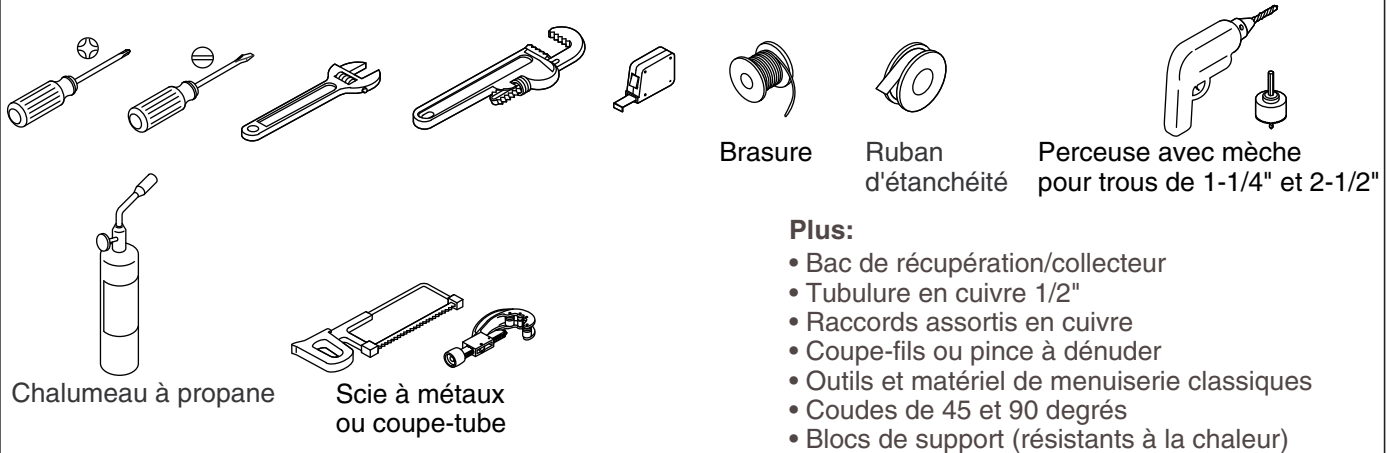
IMPORTANT! La pression maximum de l'eau d'arrivée ne doit pas dépasser 70 psi (483 kPa).

AVIS: Utiliser cette unité uniquement pour l'usage pour lequel elle est destinée, tel que spécifié dans ce manuel. **NE PAS** utiliser de dispositifs accessoires non recommandés par Kohler Co.

AVIS: Ne pas appliquer de chaleur excessive aux connexions du générateur de vapeur pendant le soudage des connexions. Ne pas appliquer de flux ou d'acides directement sur le générateur de vapeur, afin d'éviter d'endommager les joints, les composants en plastique ou la finition de la garniture. Ne pas appliquer de lubrifiants à base de pétrole sur les composants du générateur de vapeur, étant donné que ceci pourrait créer des dommages.

CONSERVER CES INSTRUCTIONS.

Outils et matériel

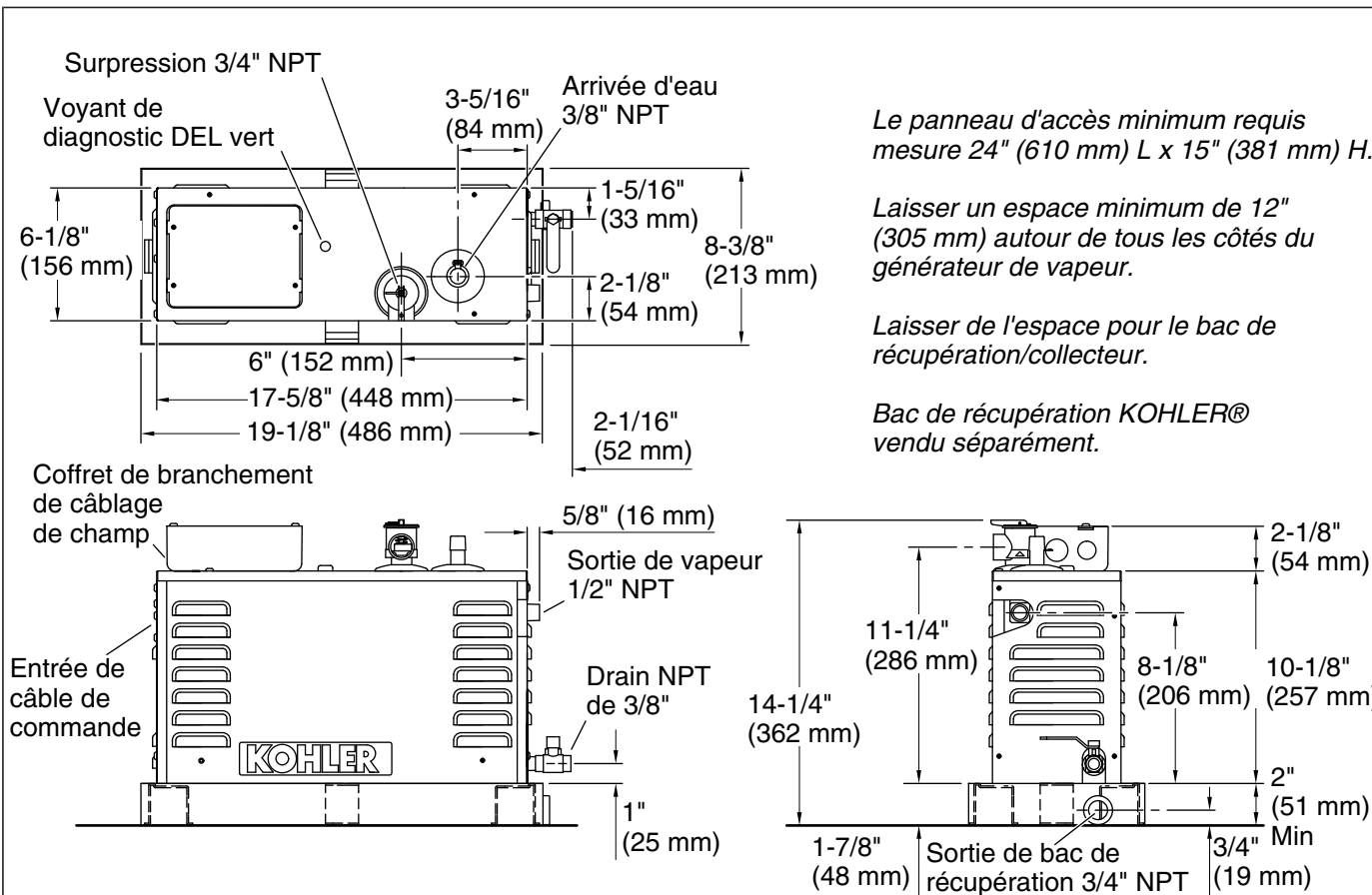


Avant de commencer

REMARQUE: Les instructions fournies dans ce guide d'installation couvrent les installations de générateurs à vapeur uniques et doubles.

IMPORTANT! Fournir un panneau d'accès de taille adéquate pour permettre la dépose du générateur de vapeur à des fins d'entretien.

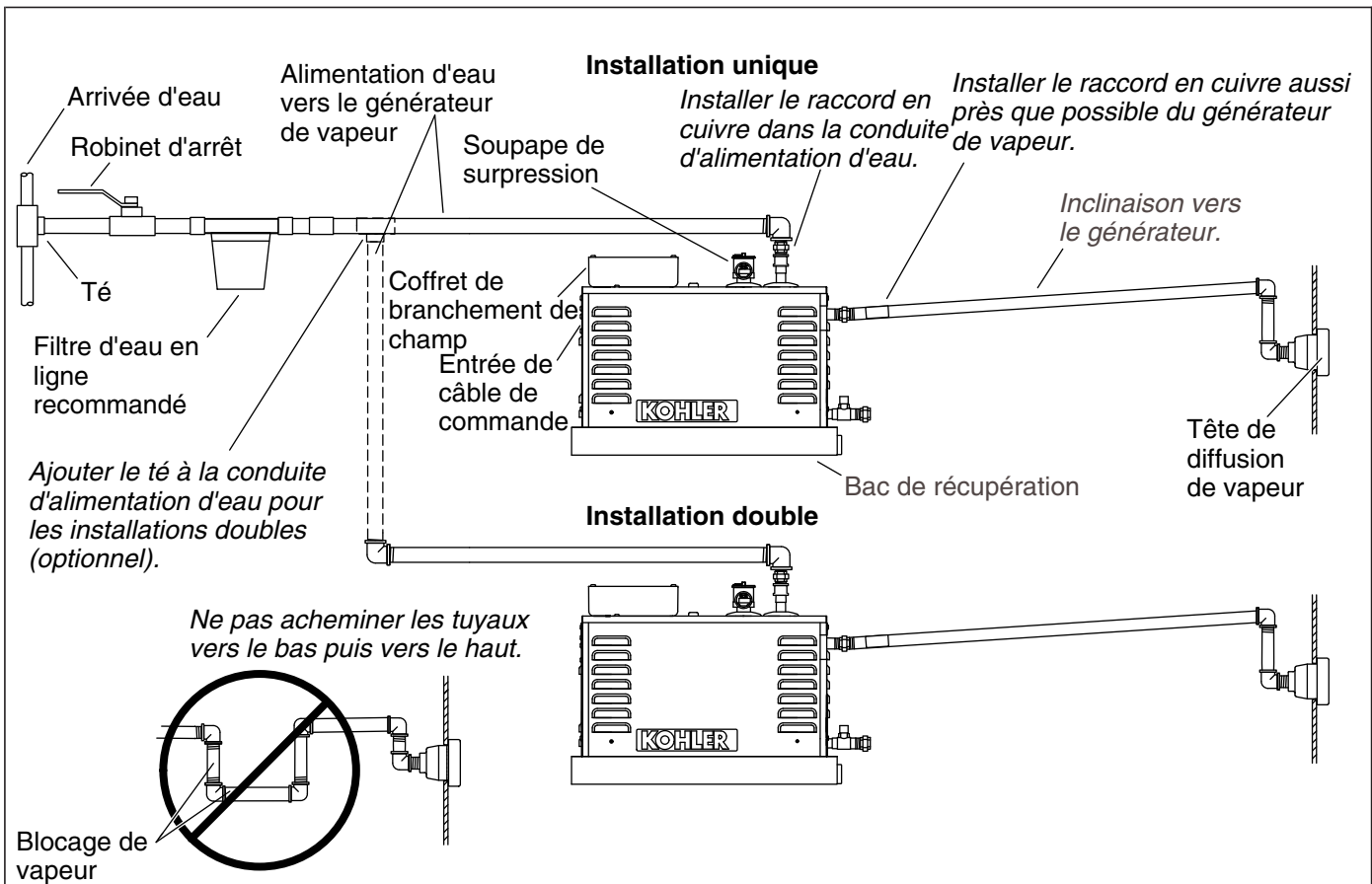
- Inspecter le produit pour y rechercher des dommages d'expédition. Ne pas installer l'unité si elle est endommagée. Appeler le service après-vente de Kohler Co. en utilisant les renseignements fournis au dos de ce guide.
- Respecter tous les codes de plomberie et électriques locaux. Tout le travail électrique doit être effectué par un électricien qualifié.
- Déconnecter toute l'alimentation électrique avant d'effectuer des connexions électriques.
- Connecter le générateur de vapeur à des conduites d'arrivée d'eau conformes à tous les codes de plomberie applicables.
- Pour les installations personnalisées, positionner la tête de diffusion de vapeur à 6" (152 mm) du sol et à 4-1/2" (114 mm) de l'intérieur du seuil.



Raccordement

REMARQUE: Utiliser les dimensions fournies dans le diagramme ci-dessus à titre de référence pour déterminer l'emplacement et le dégagement pour le générateur de vapeur.

REMARQUE: Des raccords sont fournis pour la sortie de vapeur et l'arrivée d'eau pour la connexion au tuyau en cuivre de 1/2".



1. Déterminer la disposition du système



AVERTISSEMENT: Risque de dommages matériels. Laisser un minimum de 12" (305 mm) d'espace d'air autour du générateur de vapeur en tout temps. Ceci fournit une zone pour permettre à la chaleur générée par l'unité de se dissiper.

IMPORTANT! Le panneau d'accès minimum requis est 24" (610 mm) L x 15" (381 mm) H.

AVIS: Le générateur de vapeur donne les meilleurs résultats lorsqu'il est installé aussi près que possible de la tête de diffusion de vapeur. L'unité doit être installée dans un rayon de 25' (7,62 m) de la tête de diffusion de vapeur.

AVIS: La présence de gouttes de grande taille dans la conduite de vapeur augmente la condensation et réduit la quantité de vapeur produite. Pour assurer une performance optimale, ne pas installer le générateur de vapeur au-dessus du niveau de la tête de diffusion de vapeur.

AVIS: La fonction PowerClean du générateur effectue une purge par la tête de diffusion de vapeur. Aucune conduite d'écoulement supplémentaire n'est requise pour cette fonction. La vanne de vidange de l'unité est destinée à aider à vider l'unité avant son entretien. Une plomberie est optionnelle.

IMPORTANT! Ce générateur de vapeur doit seulement être installé en position verticale, comme sur l'illustration. L'emplacement de la soupape de surpression doit être sur le dessus.

IMPORTANT! S'adresser au service après-vente de Kohler Co. si ce générateur de vapeur est installé à une élévation au-dessus de 6000' (1829 m) du niveau de la mer. Le service après-vente fournira des instructions sur la déconnexion de la bobine à démarrage rapide pour les installations dans de hautes élévations.

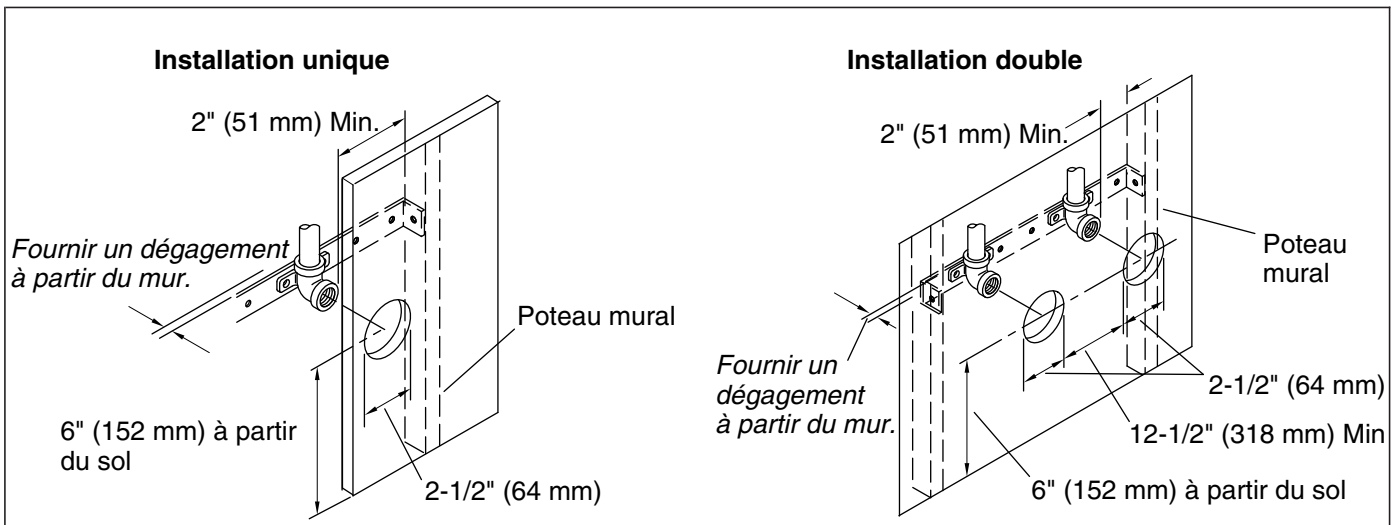
REMARQUE: Pour obtenir une performance optimale, utiliser des coudes de 45° dans la conduite de vapeur lorsque possible.

Déterminer la disposition du système (cont.)

- Déterminer l'emplacement du **générateur de vapeur**. Laisser un intervalle d'air de 12" (305 mm) sur tous les côtés du générateur. Laisser de l'espace pour un bac de récupération.
- Choisir un bac de récupération approprié pour l'installation (le bac de récupération de KOHLER est vendu séparément).
- Déterminer l'emplacement des conduites **d'arrivée d'eau** et de **vapeur**. S'assurer du dégagement entre la conduite de vapeur et toutes les surfaces alentour.
- Installer le générateur de vapeur dans un espace chauffé pour empêcher un gel.
- S'assurer que ce générateur de vapeur est installé de niveau.
- Permettre un accès au générateur de vapeur après l'installation.
- Choisir la taille du générateur de vapeur en fonction des volumes de chambre de vapeur identifiés ci-dessous.

REMARQUE: Pour chaque pied ou tous les 30 cm supplémentaires de hauteur de plafond au-dessus de 8' (2,4 m), choisir la taille de générateur plus grande suivante.

Générateur de vapeur	Volume de chambre de vapeur - Pieds cubes (Mètres cubes)
5 kW	84 (2,4)
7 kW	112 (3,2)
9 kW	240 (6,8)
11 kW	317 (9,0)
18 kW	550 (15,6)
22 kW	634 (18,0)



2. Déterminer l'emplacement du matériel de vapeur



AVERTISSEMENT: Risque de blessures. Ne pas installer l'interface utilisateur de commande de vapeur à l'extérieur de l'enceinte de vapeur. L'interface utilisateur doit être installée dans l'enceinte afin de permettre aux capteurs de régler la température et de commander le débit de vapeur.



AVERTISSEMENT: Risque de brûlures. Ne pas bloquer la tête de diffusion de vapeur et ne pas la placer à proximité d'un siège ou d'un banc, étant donné que la tête de diffusion de vapeur est chaude pendant le fonctionnement et qu'elle pourrait brûler l'utilisateur si celui-ci la touchait.

IMPORTANT! Ne pas installer la commande directement au-dessus de la tête de diffusion de vapeur ou en ligne avec celle-ci.

AVIS: Lors de l'installation du kit de commande, laisser de l'espace pour une boucle d'égouttement dans le câble de commande. La boucle d'égouttement dissuade l'humidité de suivre le câble de commande vers le générateur de vapeur.

REMARQUE: Toutes les dimensions doivent être prises à partir de l'intérieur de la douche. Consulter le guide d'installation du kit de commande de vapeur pour obtenir de l'information supplémentaire sur les dimensions et l'installation.

- Les têtes de diffusion de vapeur doubles peuvent être installées sur des murs opposés pour améliorer la distribution de vapeur.
- Déterminer l'emplacement de la **tête de diffusion de vapeur**. Positionner la ou les tête(s) de diffusion de vapeur à 6" (152 mm) au-dessus du sol de la douche, et à une distance minimum de 4-1/2" (114 mm) du seuil de la porte de l'enceinte. L'emplacement de la tête de diffusion de vapeur doit se trouver dans un rayon de 25' (7,62 m) du générateur de vapeur.
- Pour les installations à une seule tête de diffusion de vapeur, déterminer l'emplacement de **l'interface utilisateur de commande de vapeur** sur le mur opposé de celui de la tête de diffusion de vapeur.
- Pour les installations de deux têtes de diffusion de vapeur, déterminer l'emplacement de **l'interface utilisateur de commande de vapeur** sur un mur différent de celui des têtes de diffusion de vapeur. Positionner l'interface utilisateur aussi loin que possible des têtes de diffusion de vapeur, tout en restant pratique.
- Positionner l'interface utilisateur de commande de vapeur à 60" (1524 mm) au-dessus du sol de la douche.
- S'assurer qu'il y a un dégagement suffisant entre les conduites de vapeur et toutes les surfaces alentour.

3. Installer l'alimentation électrique

Modèle	K-5525-NA	K-5526-NA	K-5529-NA	K-5531-NA	K-5539-NA	K-5543-NA
Taille de générateur	5 kW	7 kW	9 kW	11 kW	18 kW (2 - 9 kW)	22 kW (2 - 11 kW)
Branchement électrique requis						
Circuit de générateur dédié numéro 1	240 V, 40 A, 50/60 Hz	240 V, 50 A, 50/60 Hz	240 V, 60 A, 50/60 Hz	240 V, 60 A, 50/60 Hz	240 V, 60 A, 50/60 Hz	240 V, 60 A, 50/60 Hz
Circuit de générateur dédié numéro 2	NA	NA	NA	NA	240 V, 60 A, 50/60 Hz	240 V, 60 A, 50/60 Hz
Caractéristiques électriques du produit	240 V, 27 A, 60 Hz	240 V, 36 A, 60 Hz	240 V, 45 A, 60 Hz	240 V, 46 A, 60 Hz	240 V, 45 A, 60 Hz	240 V, 46 A, 60 Hz

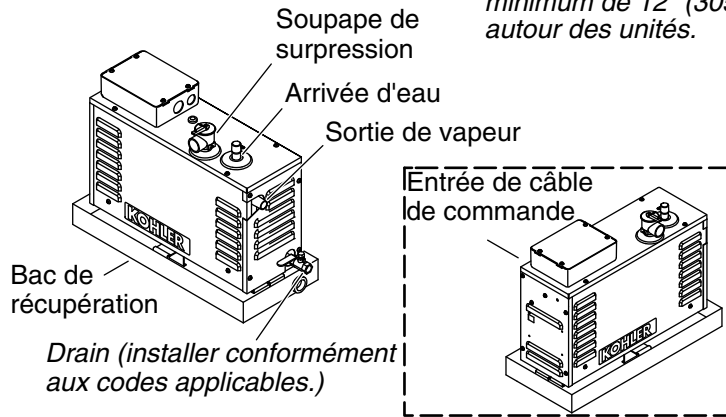


AVERTISSEMENT: Risque d'électrocution. Déconnecter l'alimentation électrique pour la zone de travail au niveau du disjoncteur principal avant d'exécuter ces étapes d'installation.

AVIS: Chaque générateur de vapeur exige un circuit dédié. Les installations de générateurs de vapeur doubles exigent un deuxième circuit dédié.

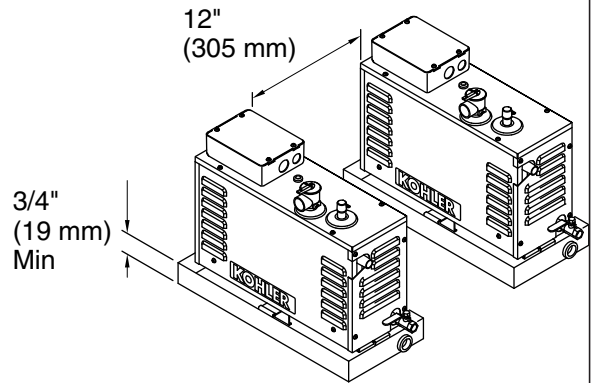
- Respecter tous les codes électriques locaux. Tout le travail électrique doit être effectué par un électricien qualifié.
- Trouver les conditions requises pour le générateur en question dans le tableau ci-dessus.
- Installer l'alimentation électrique adéquate (installer deux alimentations dédiées pour les installations de générateurs de vapeur doubles).

Installation unique



Maintenir un espace minimum de 12" (305 mm) autour des unités.

Installation double



4. Installer le générateur de vapeur



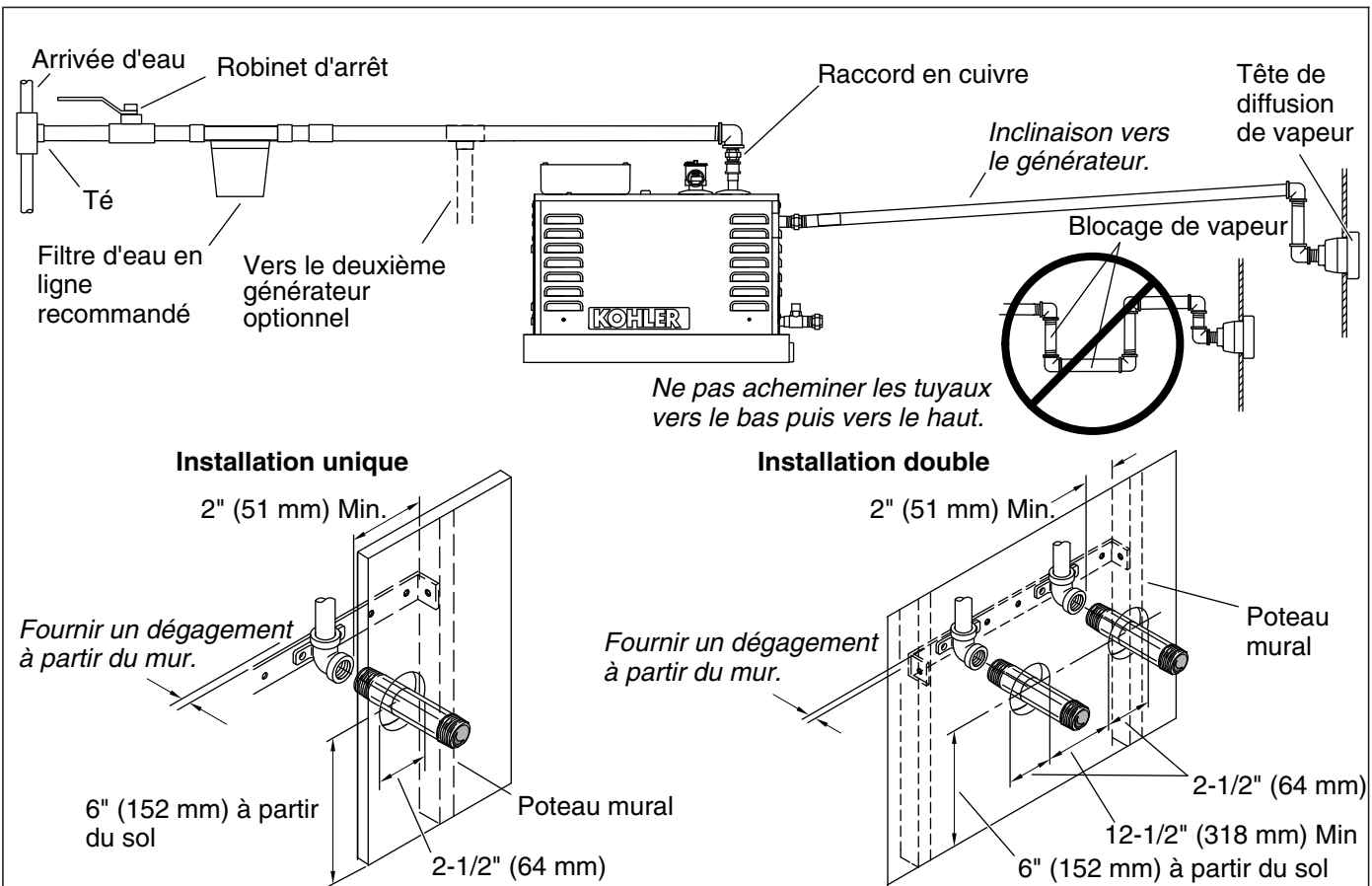
AVERTISSEMENT: Risque de dommages matériels. Laisser un minimum de 12" (305 mm) d'espace d'air autour du générateur de vapeur en tout temps. Ceci fournit une zone pour permettre à la chaleur générée par l'unité de se dissiper.

AVIS: Pour une performance optimale, installer le générateur de vapeur aussi près que possible de la tête de diffusion de vapeur. Le générateur de vapeur doit être installé dans un rayon de 25' (7,62 m) de la tête de diffusion de vapeur.

- Installer le bac de récupération souhaité à l'emplacement du générateur de vapeur. Kohler Co. recommande d'utiliser un bac de récupération KOHLER.

IMPORTANT! Si le bac de récupération n'est pas un bac KOHLER, construire les blocs de support en utilisant du matériel résistant à la chaleur.

- Positionner le générateur de vapeur sur les blocs de support.



5. Installer l'arrivée d'eau et la conduite de vapeur



AVERTISSEMENT: Risque de blessures ou d'endommagement matériel. Ne pas installer la soupape de surpression dans la conduite de vapeur. Une soupape de surpression installée dans la conduite de vapeur crée un danger si la conduite de vapeur est bloquée ou obstruée.



AVERTISSEMENT: Risque de brûlures. Ne pas plomber de blocage, de robinet d'arrêt ou de soupape de surpression dans la conduite de vapeur. Une soupape de surpression installée dans la conduite de vapeur crée un danger si la sortie de vapeur est recouverte d'un bouchon.



AVERTISSEMENT: Risque de brûlures. Ne pas connecter la sortie de la vanne de vidange à la conduite de vapeur. S'assurer qu'il n'y a ni creux ni affaissement dans la conduite de vapeur.



AVERTISSEMENT: Risque de blessures ou d'endommagement matériel. Ne pas diriger la soupape de surpression vers l'enceinte. Si la soupape de surpression devait s'activer, de l'eau chaude pourrait se vaporiser et créer des brûlures chez l'utilisateur et/ou endommager l'enceinte. C'est pourquoi la soupape de surpression doit être dirigée vers une zone où aucun dommage ne se produira suite à un contact avec de l'eau chaude, et l'installation doit être conforme aux codes de plomberie nationaux et locaux.

Installer la conduite d'arrivée d'eau sur le générateur

REMARQUE: Pour toutes les connexions NPT filetés, utiliser du ruban ou un mastic pour tuyaux. Ne pas trop serrer les raccords.

- Connecter à une conduite d'eau existante et acheminer la conduite d'eau froide de 1/2" vers un robinet d'arrêt avant le filtre d'eau en ligne.
- Avant la connexion finale vers le générateur de vapeur, vidanger la conduite d'arrivée d'eau dans un grand seau. Ceci élimine tous les débris, le limon, le sable ou d'autres matériaux qui pourraient se trouver dans la conduite. S'assurer que la crépine du filtre est en place dans le tube d'arrivée d'eau.

Installer l'arrivée d'eau et la conduite de vapeur (cont.)

- Installer une tubulure de 1/2" en cuivre avec un raccord-union (fourni avec le générateur de vapeur) se trouvant aussi près que possible du générateur de vapeur.
- Connecter la conduite d'arrivée d'eau au générateur de vapeur.
- Ouvrir l'arrivée d'eau et remplir le générateur de vapeur avec de l'eau. Rechercher des fuites éventuelles.
- Vérifier que la vanne de vidange d'eau se trouvant sur le générateur est fermée.

AVIS: Les générateurs de vapeur sont munis d'un arrêt automatique. L'eau s'arrête lorsque l'unité est pleine. Si l'eau s'écoule de la sortie de vapeur, arrêter l'eau et se reporter à la section "Dépannage" ou s'adresser au service après-vente en utilisant les renseignements fournis au dos de ce document.

- Si la conduite d'arrivée d'eau dépasse 10' (3 m) ou si elle est exposée à des endroits froids, isoler la tuyauterie avec du matériau d'isolation adéquat.

Installer la conduite de vapeur



AVERTISSEMENT: Risque de brûlures. Ne pas positionner la tête de diffusion de vapeur à proximité d'un siège ou d'un banc. Des brûlures peuvent se produire en cas de contact avec la tête de diffusion de vapeur.

AVIS: Ne jamais acheminer la conduite de vapeur vers le bas puis vers le haut. Un acheminement de la conduite de vapeur vers le bas puis vers le haut crée un blocage de vapeur qui bloque le débit de vapeur. La conduite de vapeur doit être acheminée vers le haut, vers la tête de diffusion de vapeur à partir du générateur de vapeur, à une inclinaison de 3/8" (10 mm) à 1/2" (13 mm) par 12" (305 mm) de tuyau.

AVIS: Fournir un dégagement entre le mur arrière et le coude menant dans l'enceinte de vapeur. Le coude ne peut pas contacter un matériau de mur.

AVIS: Fournir un dégagement entre la conduite de vapeur et les surfaces alentour.

AVIS: Ne pas appliquer de chaleur excessive aux connexions du générateur pendant le soudage des connexions. Ne pas appliquer de flux ou d'acides directement sur le générateur de vapeur, afin d'éviter d'endommager les joints, les composants en plastique ou la finition de la garniture. Ne pas appliquer de lubrifiants à base de pétrole sur les composants du générateur de vapeur, étant donné que ceci pourrait créer des dommages.

REMARQUE: Utiliser du mastic pour filet ou un mastic pour tuyaux pour les connexions filetées. Ne pas trop serrer les raccords.

REMARQUE: Utiliser un tube en cuivre de 1/2" pour la conduite de vapeur.

REMARQUE: Lorsque possible, utiliser des coudes de 45°. La performance est meilleure si l'on utilise des coudes de 45°.

REMARQUE: Toujours installer un raccord-union (fourni) aussi près que possible du générateur de vapeur.

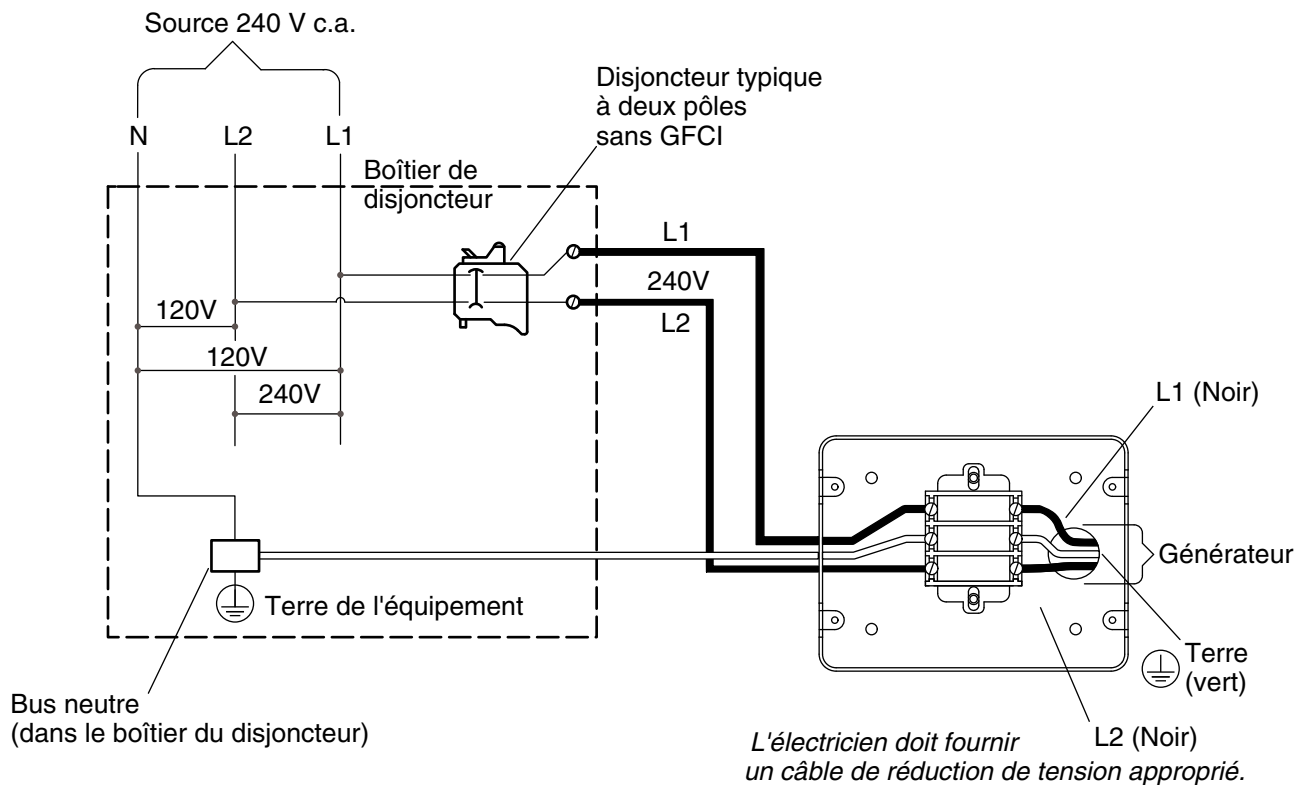
- Ajouter un blocage à l'arrière de l'emplacement souhaité de la tête de diffusion de vapeur.
- Installer et fixer un coude NPT de 1/2" NPT sur le blocage directement à l'arrière de l'emplacement souhaité de la tête de diffusion de vapeur.
- Installer un mamelon en cuivre de 1/2" temporaire qui se prolonge à travers le mur fini.

Information sur le produit/modèle

Modèle	K-5525-NA	K-5526-NA	K-5529-NA	K-5531-NA	K-5539-NA	K-5543-NA
Poids	29 lb (13,2 kg)	29 lb (13,2 kg)	29 lb (13,2 kg)	29 lb (13,2 kg)	48 lb (21,8 kg)	48 lb (21,8 kg)

**Installer
l'arrivée
d'eau et
la
conduite
de vapeur
(cont.)**

Alimentation en eau	Conduite en cuivre 1/2"	Conduite en cuivre 1/2"	Conduite en cuivre 1/2"	Conduite en cuivre 1/2"	Conduite en cuivre 1/2"	Conduite en cuivre 1/2"
Conduite de vapeur	Conduite en cuivre 1/2"	Conduite en cuivre 1/2"	Conduite en cuivre 1/2"	Conduite en cuivre 1/2"	Conduite en cuivre 1/2"	Conduite en cuivre 1/2"
Soupape de surpression (fournie)	Filetage femelle NPT 3/4"	Filetage femelle NPT 3/4"	Filetage femelle NPT 3/4"	Filetage femelle NPT 3/4"	Filetage femelle NPT 3/4"	Filetage femelle NPT 3/4"
Vanne de la conduite d'écoulement	NPT 3/8"	NPT 3/8"	NPT 3/8"	NPT 3/8"	NPT 3/8"	NPT 3/8"



6. Connecter l'alimentation électrique



AVERTISSEMENT: Risque d'électrocution. Déconnecter toute l'alimentation électrique avant de procéder à ces étapes d'installation.

AVIS: Tout le travail électrique doit être effectué par un électricien qualifié.

AVIS: Tout le câblage électrique doit être effectué conformément aux codes locaux.

AVIS: Chaque générateur de vapeur exige un circuit dédié. Les installations de générateurs de vapeur doubles exigent un deuxième circuit dédié.

IMPORTANT! S'assurer que l'arrivée d'eau vers le générateur de vapeur est en marche avant de connecter l'alimentation électrique.

Connecter l'alimentation électrique.

- Couper toute l'électricité vers la zone de travail au niveau du panneau du disjoncteur principal.
- Connecter une ligne électrique de 240 V c.a. aux fils dénommés "L1," "L2," et au fil vert (terre) qui sortent du coffret de branchement de champ du générateur de vapeur se trouvant sur le dessus du générateur de vapeur.
- Vérifier que la connexion de terre a été effectuée dans le coffret de branchement de champ.
- Fermer le coffret de branchement de champ.
- Mettre l'alimentation principale en marche.
- Le voyant de fonctionnement doit afficher un voyant vert. Si le voyant de fonction n'est pas vert, se reporter à la section "Dépannage" ou s'adresser au service après-vente en utilisant le numéro se trouvant au dos de ce document.



Étiquette d'avertissement

7. Terminer l'installation

- Retirer le dos adhésif de l'étiquette d'avertissement fournie et appliquer l'étiquette sur le mur de la douche ou de l'enceinte de vapeur.
- Installer le logement de vapeur et la tête de diffusion de vapeur en suivant les instructions fournies avec le kit de commande de vapeur.
- Installer la commande de vapeur en suivant les instructions fournies avec le kit de commande de vapeur.
- Pour faire fonctionner la commande de vapeur, suivre les instructions de fonctionnement fournies avec le kit de commande de vapeur.

Dépannage



ATTENTION: Risque de blessures. Les étapes de dépannage impliquant un câblage ou des connexions électriques internes doivent être exécutées par un électricien qualifié.

REMARQUE: Les étapes de dépannage ci-dessous s'appliquent seulement au générateur de vapeur même. Pour les problèmes impliquant la commande de vapeur, se reporter à la section "Dépannage" pour le kit de commande de vapeur.

REMARQUE: Pour tout renseignement sur les pièces de rechange, visiter la page du produit sur le site kohler.com/serviceparts.

Ce guide de dépannage est seulement destiné à fournir une aide d'ordre général. Pour des problèmes ou questions concernant l'entretien et l'installation, composer le 1-800-4KOHLER.

Symptômes	Causes probables	Action recommandée
1. Le voyant DEL vert n'est pas allumé et aucune vapeur ne sort de la tête de diffusion de vapeur.	A. Aucune alimentation électrique au niveau du générateur de vapeur.	A1. Réinitialiser l'alimentation électrique au niveau du disjoncteur.
		A2. Demander à un électricien qualifié de vérifier qu'une alimentation de 240 V est présente au niveau du générateur de vapeur.
	B. Le disjoncteur est à la position d'arrêt.	B. Mettre l'alimentation électrique en marche au niveau du disjoncteur.
	C. La taille du disjoncteur n'est pas adéquate.	C. Vérifier que la taille du disjoncteur est adéquate. Remplacer le disjoncteur s'il est de la mauvaise taille.

Dépannage (cont.)		
Symptômes	Causes probables	Action recommandée
	D. La connexion électrique dans le coffret de branchement de champ du générateur de vapeur est desserrée.	D. Couper toute l'alimentation électrique vers le générateur de vapeur. Demander à un électricien qualifié d'ouvrir le coffret de branchement de champ du générateur de vapeur et vérifier/réparer les connexions.
2. Le voyant DEL vert est allumé, mais aucune vapeur ne sort de la tête de diffusion de vapeur.	A. L'eau est coupée.	A. Ouvrir l'arrivée d'eau.
	B. La grille d'entrée est bouchée.	B. Retirer et nettoyer la grille d'entrée.
	C. Contre-pression excessive créée par un acheminement trop long de tuyauterie ou trop de coudes de 90°.	C. Amener le générateur de vapeur plus près de la tête de diffusion de vapeur ou utiliser des coudes de 45°.
	D. Blocage d'eau en raison d'un blocage de vapeur dans la conduite de vapeur. Un blocage de vapeur est créé par la tuyauterie de la conduite de vapeur acheminée vers le bas à partir du générateur de vapeur puis de nouveau vers le haut, vers la tête de diffusion de vapeur.	D. Changer le positionnement du tuyau de vapeur pour qu'il s'incline vers le bas, de la tête de diffusion de vapeur vers le générateur de vapeur.
	E. La commande de vapeur n'est pas connectée.	E1. Vérifier les connexions de câblage conformément à l'installation de commande de vapeur et au guide d'entretien. E2. Utiliser le kit de dépannage attaché au générateur de vapeur pour dépanner les problèmes de connexion.
3. Présence d'un débit continu d'eau en provenance de la tête de diffusion de vapeur. Un écoulement d'eau pendant le cycle de nettoyage sous pression est normal.	A. Les composants internes du générateur de vapeur ne fonctionnent pas.	A1. Couper l'arrivée d'eau et vidanger l'eau du générateur de vapeur. Fermer la vanne de vidange.
		A2. Ouvrir partiellement le robinet d'arrêt d'arrivée d'eau.
		A3. Laisser l'eau remplir graduellement le réservoir du générateur de vapeur (ceci peut prendre plusieurs minutes). Si l'eau continue à couler à partir de la tête de diffusion de vapeur, répéter l'étape A1 ci-dessus.
		A4. Ouvrir complètement le robinet d'arrêt d'arrivée d'eau.
		A5. Sur les modèles avec l'option de nettoyage sous pression seulement : Si l'eau continue à couler à partir de la tête de diffusion de vapeur, exécuter le cycle de nettoyage sous pression.

Dépannage (cont.)

Symptômes	Causes probables	Action recommandée
		A6. Si l'eau continue à couler à partir de la tête de diffusion de vapeur, s'adresser au service après-vente en utilisant les informations fournies au dos de ce guide.
	B. L'arrivée d'eau est connectée incorrectement au générateur de vapeur.	B. Étudier ce manuel et, si nécessaire, reconnecter l'arrivée d'eau à l'emplacement adéquat.
4. La vapeur sort de la tête de diffusion de vapeur et la commande est arrêtée.	A. Des élévations à plus de 6000' (1829 m) au-dessus du niveau de la mer peuvent faire en sorte que l'eau bout à des températures plus basses.	A. À des élévations de plus de 6000' (1829 m) au-dessus du niveau de la mer, s'adresser au service après-vente de Kohler pour obtenir des instructions sur la déconnexion de la bobine de démarrage rapide.

Garantie

GARANTIE LIMITÉE DE TROIS ANS pour le générateur de vapeur KOHLER

Kohler garantit les appareils générateurs de vapeur fabriqués après le 15 Septembre 2001, à l'acquéreur d'origine contre tout vice de matériau et de fabrication lors d'une utilisation domestique normale pendant trois (3) ans à partir de la date d'installation. Cette garantie s'applique uniquement aux générateurs de vapeur KOHLER installés aux États-Unis, au Canada ou au Mexique ("Amérique du Nord").

Si un vice est décelé lors d'une utilisation domestique normale, Kohler Co. choisira, à sa discrétion, la réparation, le remplacement ou la correction appropriée. Tout dommage dû à un accident, un mauvais usage ou un mauvais traitement n'est pas couvert par la présente garantie. Une preuve d'achat (ticket de caisse d'origine) doit être présentée à Kohler Co. avec toutes les réclamations au titre de la garantie. Kohler Co. n'est pas responsable des frais de main-d'œuvre, d'enlèvement, d'installation ou de tout autre frais indirect. La responsabilité de Kohler Co. ne dépassera en aucun cas le prix d'achat de l'appareil.

Si cet appareil est utilisé commercialement ou en dehors d'Amérique du Nord, Kohler Co. garantit l'appareil contre tout vice de matériau et de fabrication pour un (1) an à partir de la date d'installation dudit appareil, et toutes les autres modalités de la présente garantie s'appliquent à l'exception de sa durée.

Pour obtenir le service de garantie contacter Kohler Co., par l'intermédiaire du vendeur, plombier, centre de rénovation ou revendeur par Internet, ou bien par écrit à l'adresse suivante Kohler Co., Attn.: Customer Care Center, 444 Highland Drive, Kohler, WI 53044, USA, ou appeler le 1-800-4-KOHLER (1-800-456-4537) à partir des É.-U. et du Canada, et le 001-800-456-4537 à partir du Mexique, ou consulter le site www.kohler.com aux É.-U., www.ca.kohler.com à partir du Canada, ou www.mx.kohler.com au Mexique.

KOHLER CO. ET/OU LE REVENDEUR FOURNISSENT CES GARANTIES AU LIEU ET PLACE DE TOUTES AUTRES GARANTIES, EXPRESSES OU TACITES, Y COMPRIS LES GARANTIES TACITES DE COMMERCIALITÉ ET D'ADAPTATION À UN USAGE PARTICULIER. KOHLER CO. ET/OU LE REVENDEUR DÉCLINENT TOUTE RESPONSABILITÉ CONTRE LES DOMMAGES PARTICULIERS, ACCESSOIRES OU INDIRECTS. Certains états et provinces ne permettent pas de limite sur la durée de la garantie tacite, ni l'exclusion ou la limite des dommages particuliers, accessoires ou indirects, et, par conséquent, lesdites limites et exclusions peuvent ne pas s'appliquer à votre cas. Cette garantie vous donne des droits juridiques particuliers. Vous pouvez également avoir d'autres droits qui varient d'un état ou d'une providence à l'autre.

Ceci constitue la garantie écrite exclusive de Kohler Co.

Guía de instalación y cuidado

Generador de vapor

INSTRUCCIONES DE SEGURIDAD

LEA Y SIGA TODAS LAS INSTRUCCIONES.

¡**IMPORTANTE!** Al instalar y usar este equipo eléctrico siempre se deben seguir precauciones básicas de seguridad, incluidas las siguientes:



ADVERTENCIA: Riesgo de explosión. En instalaciones de generadores de vapor dobles, no interconecte salidas de vapor. Se debe contar con una línea de vapor por separado para cada salida de vapor.



PRECAUCIÓN: Riesgo de electrocución. Antes de realizar estos pasos de instalación, desconecte el suministro eléctrico al área de trabajo en el panel principal de interruptores de circuito.



PRECAUCIÓN: Riesgo de lesiones. Para reducir el riesgo de lesiones, no permita que los niños usen este producto sin supervisión estricta en todo momento.



ADVERTENCIA: Riesgo de lesiones personales.

- Las superficies húmedas en los recintos de vapor podrían estar resbalosas. Tenga cuidado al entrar o al salir.
- El cabezal de vapor está caliente. No toque el cabezal de vapor, y evite el vapor cerca del cabezal de vapor.
- El uso prolongado del sistema de vapor puede aumentar excesivamente la temperatura interna del cuerpo humano y afectar la habilidad del cuerpo para regular su temperatura interna (hipertermia). Limite el uso de vapor de 10 a 15 minutos mientras no esté seguro de la reacción de su cuerpo.
- Las temperaturas excesivas tienen un alto potencial de causar daños a los fetos durante los primeros meses del embarazo. Las mujeres embarazadas, o que posiblemente estén embarazadas, deben consultar a un médico con respecto a estar expuestas al vapor.
- Las personas obesas y aquellas con historial de enfermedades del corazón, baja o alta presión arterial, problemas del sistema circulatorio, o diabetes, deben consultar a un médico antes de usar un baño de vapor.
- Las personas que tomen medicamentos deben consultar a un médico antes de usar un baño de vapor, ya que ciertos medicamentos podrían causar mareos mientras que otros podrían afectar el ritmo cardíaco, la presión arterial y la circulación.



ADVERTENCIA: Riesgo de lesiones personales. Si usted se siente incómodo al tomar un baño de vapor, debe apagar la unidad. Refréscuese con la ducha, abra la puerta o salga de la unidad.



ADVERTENCIA: Riesgo de lesiones personales. NO consuma bebidas alcohólicas o drogas, ni tome medicamentos antes de usar el baño de vapor o al usarlo. El alcohol, las drogas y las medicinas afectan el buen juicio, aumentan en mucho el riesgo de sufrir de hipertermia, e inhiben las funciones corporales tales como los latidos del corazón y la respiración, lo que ocasiona efectos potencialmente peligrosos.



ADVERTENCIA: Riesgo de reacción alérgica. Antes de agregar aceites, terapias aromáticas o productos para la piel en el depósito para aromaterapia, asegúrese de que no causen reacciones alérgicas al usuario.



PRECAUCIÓN: Riesgo de lesiones personales. No instale una boca de sifón en la línea de vapor, ni instale una válvula de liberación de presión en la línea de vapor. Puede ser peligroso instalar la válvula de liberación de presión en la línea de vapor si se tapa la salida de vapor.

INSTRUCCIONES DE SEGURIDAD (cont.)



PRECAUCIÓN: Riesgo de lesiones personales o daños a la propiedad. Evite entrar en contacto con el tanque de agua y/o con la línea de descarga de vapor mientras el generador de vapor esté en funcionamiento o un poco después de que se haya apagado. Use protección para los ojos y ropa de protección al dar servicio al generador de vapor. El generador de vapor funciona a altas temperaturas.



PRECAUCIÓN: No lo use para calentar un espacio.

¡IMPORTANTE! Ocurre hipertermia cuando la temperatura interna del cuerpo alcanza un nivel varios grados más arriba de la temperatura corporal normal de 98,6°F (37°C). Los síntomas de hipertermia incluyen aumento de temperatura corporal interna, mareos, letargo, somnolencia y desfallecimiento. Los efectos de hipertermia incluyen:

- No poder percibir el calor
- No poder reconocer la necesidad de salir del baño de vapor
- No darse cuenta de riesgos inminentes
- Daños al feto en el caso de mujeres embarazadas
- Inhabilidad física para salir del baño de vapor
- Inconsciencia

¡IMPORTANTE! La calidad del agua de alimentación recomendada es: **Dureza** - menor de 60 ppm (3,5 g/gal); **Alcalinidad total** - mayor de 150 ppm (8,8 g/gal). La acumulación de incrustaciones de calcio debidas al agua dura puede evitar el funcionamiento correcto del generador de vapor y causar fallas prematuras. Para asegurar el funcionamiento correcto, el agua de alimentación debe ser analizada antes de usar el generador de vapor. Si la calidad del agua de alimentación no está dentro de los límites especificados, consulte opciones de tratamiento con una compañía de tratamiento de agua con buena reputación.

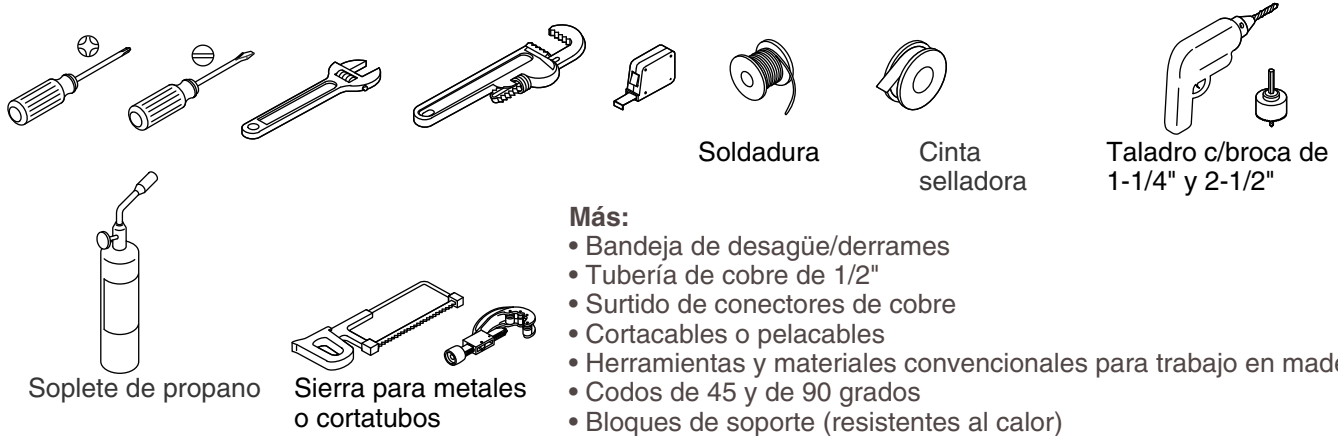
¡IMPORTANTE! La presión máxima del agua de alimentación no debe exceder 70 psi (483 kPa).

AVISO: Use esta unidad únicamente con el fin para el que ha sido fabricada, tal como se especifica en este manual. **NO** use accesorios que no recomiende Kohler Co.

AVISO: Al soldar las conexiones, no aplique calor excesivo a las conexiones del generador de vapor. No aplique fundente ni ácidos directamente al generador de vapor, pues se pueden dañar los sellos, los componentes de plástico y el acabado de la guarnición. No aplique lubricantes derivados del petróleo a los componentes del generador de vapor, pues se podrían ocasionar daños.

GUARDE ESTAS INSTRUCCIONES.

Herramientas y materiales

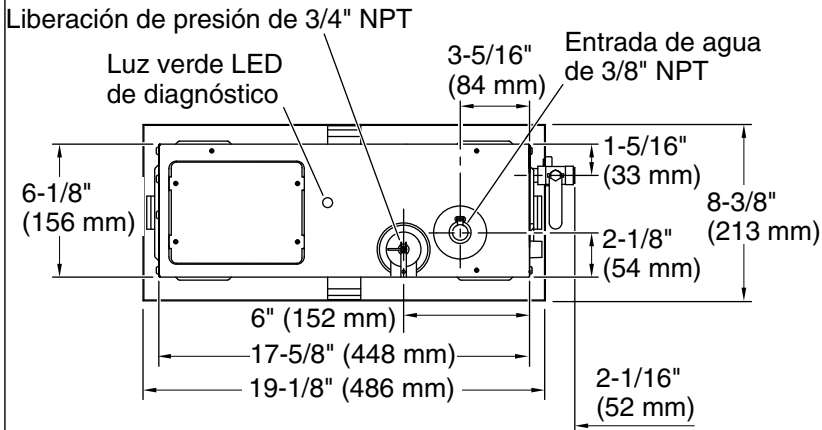


Antes de comenzar

NOTA: Las instrucciones en esta guía de instalación cubren tanto las instalaciones de generadores de vapor sencillos como dobles.

¡IMPORTANTE! Proporcione un panel de acceso del tamaño adecuado para permitir retirar el generador de vapor para darle servicio.

- Revise el producto en busca de daños durante el transporte. No instale la unidad si está dañada. Comuníquese con el Centro de Atención al Cliente de Kohler Co. mediante la información de la página posterior de este manual.
- Cumpla todos los códigos locales de electricidad y de plomería. Todo el trabajo eléctrico debe hacerlo un electricista capacitado.
- Desconecte todo el suministro eléctrico antes de hacer conexiones eléctricas.
- Conecte el generador de vapor a líneas de suministro de agua que cumplan todos los códigos de plomería aplicables.
- En instalaciones a la medida, coloque el cabezal de vapor a 6" (152 mm) sobre el piso y a 4-1/2" (114 mm) de la parte interior del umbral.



El panel de acceso mínimo requerido es de 24" (610 mm) de largo x 15" (381 mm) de altura.

Deje un espacio mínimo de 12" (305 mm) a todos los lados del generador de vapor.

Deje lugar para la bandeja de desagüe/derrames.

La bandeja de desagüe KOHLER® se vende por separado.

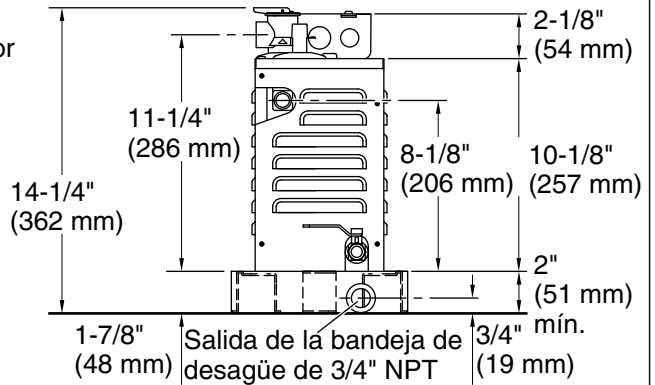
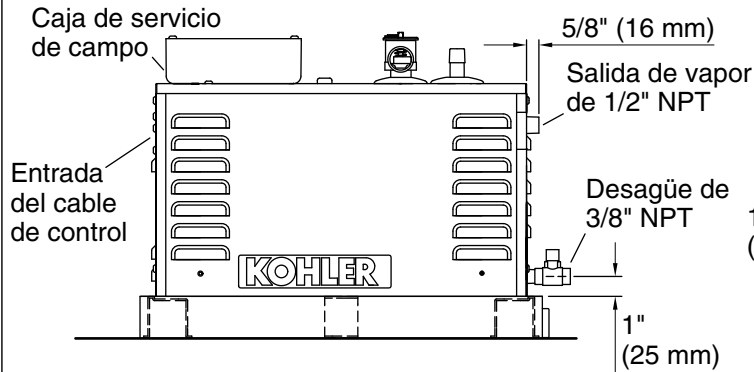
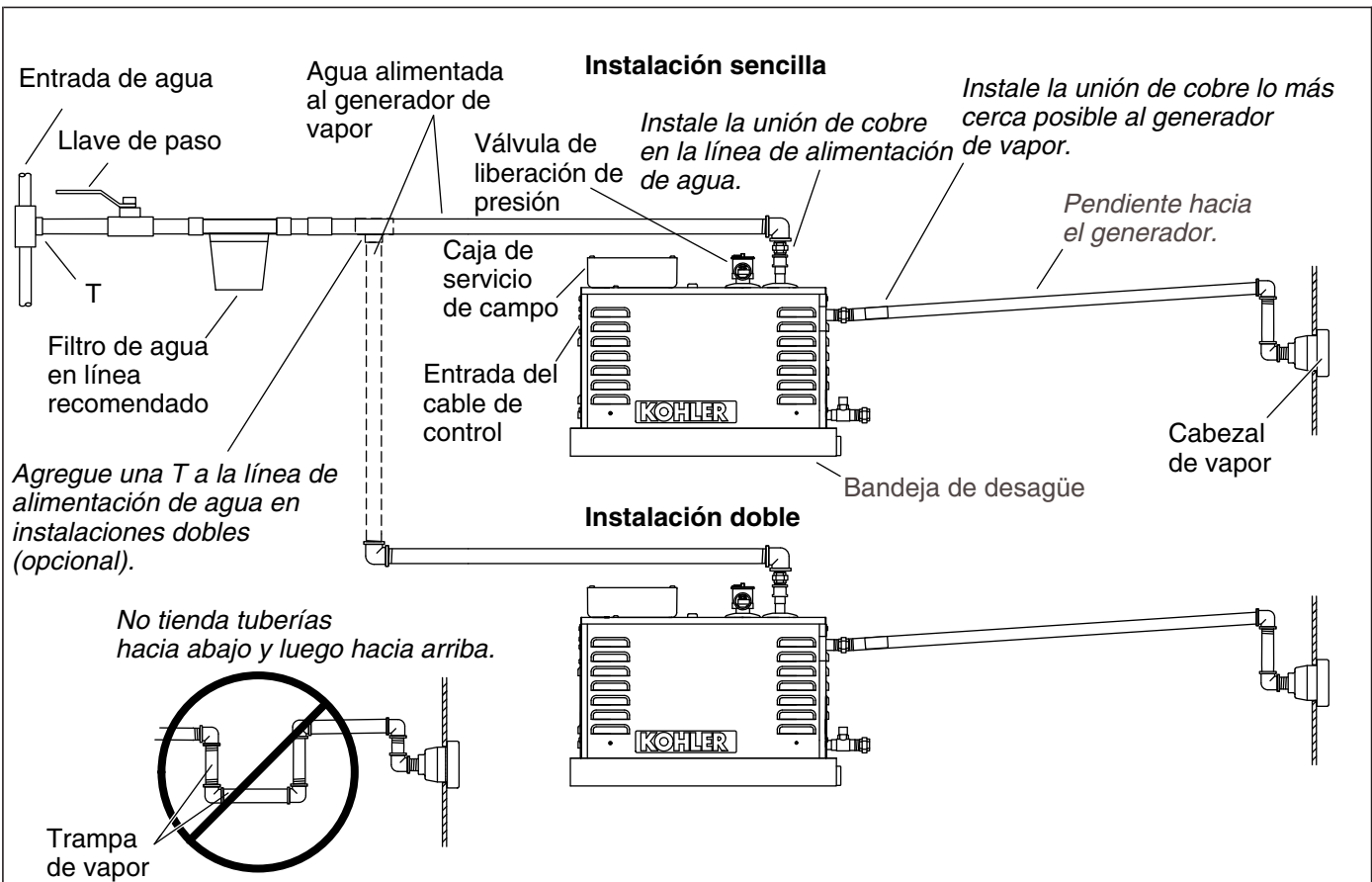


Diagrama de instalación

NOTA: Use las dimensiones en el diagrama anterior como referencia al determinar la colocación y el espacio libre para el generador de vapor.

NOTA: Se suministran uniones para las conexiones de salida de vapor y de entrada de agua a una tubería de cobre de 1/2".



1. Determine la distribución del sistema



ADVERTENCIA: Riesgo de daños a la propiedad. Deje un espacio libre mínimo de 12" (305 mm) alrededor del generador de vapor en todo momento. Esto proporciona un área para que se disipe el calor generado por la unidad.

¡IMPORTANTE! El panel de acceso mínimo requerido es de 24" (610 mm) de largo x 15" (381 mm) de altura.

AVISO: El generador de vapor funciona mejor cuando se instala lo más cerca posible al cabezal de vapor. La unidad debe instalarse a menos de 25' (7,62 m) del cabezal de vapor.

AVISO: Grandes caídas en la línea de vapor pueden aumentar la condensación y reducir la cantidad de vapor producido. Para obtener el mejor rendimiento, no instale el generador de vapor más arriba del nivel del cabezal de vapor.

AVISO: La función PowerClean del generador descarga a través del cabezal de vapor. No se requiere una línea de desagüe adicional para esta función. La válvula de desagüe en la unidad sirve para ayudar a vaciar la unidad antes de darle servicio. La plomería es opcional.

¡IMPORTANTE! Este generador de vapor solo debe ser instalado en posición vertical hacia arriba, como se muestra. La válvula de liberación de presión debe estar en la parte superior.

¡IMPORTANTE! Comuníquese con el Centro de Atención al Cliente de Kohler Co. si este generador de vapor va a ser instalado a una elevación mayor de 6000' (1829 m) sobre el nivel del mar. En instalaciones a elevaciones altas, el Centro de Atención al Cliente dará instrucciones acerca de cómo desconectar la bobina de arranque rápido.

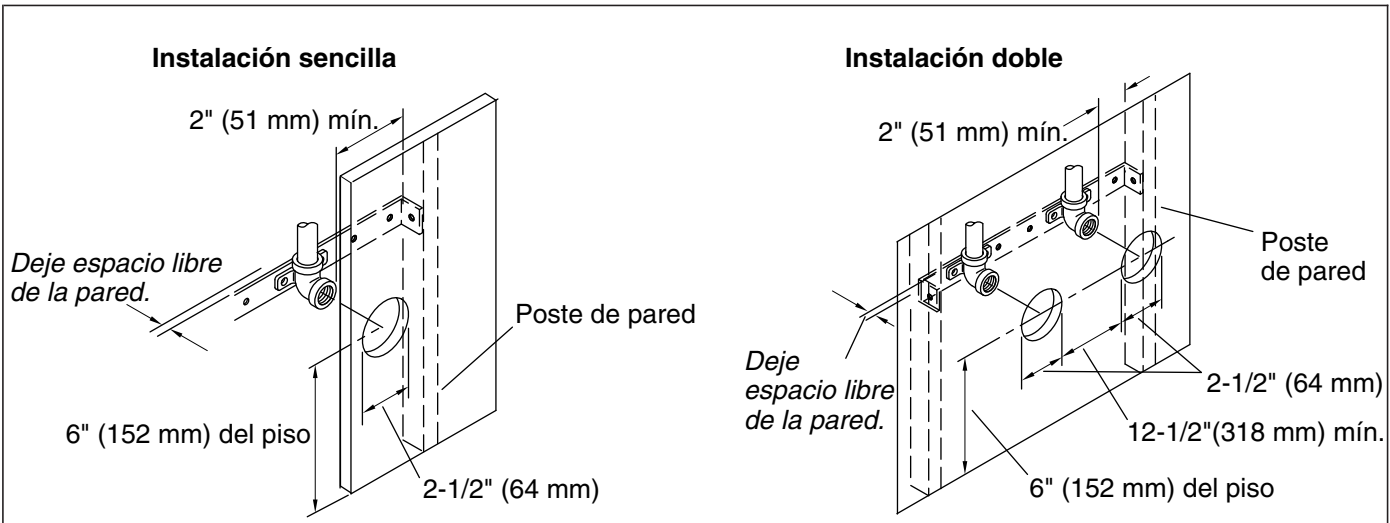
NOTA: Para obtener el mejor rendimiento, siempre que sea posible use codos de 45° en la línea de vapor.

Determine la distribución del sistema (cont.)

- Determine la ubicación del **generador de vapor**. Deje una cámara de aire de 12" (305 mm) en todos los lados del generador. Deje lugar para una bandeja de desagüe.
- Elija una bandeja de desagüe adecuada a su instalación (la bandeja de desagüe KOHLER se vende por separado).
- Determine la ubicación de los **suministros de agua** y de las **líneas de vapor**. Asegúrese de que haya espacio libre entre la línea de vapor y todas las superficies alrededor.
- Instale este generador de vapor en un espacio calentado para evitar que se congele.
- Asegúrese de que este generador de vapor quede nivelado al ser instalado.
- Deje acceso al generador de vapor después de la instalación.
- Seleccione el tamaño del generador de vapor de acuerdo al volumen del cuarto de vapor especificado a continuación.

NOTA: Por cada pie adicional de altura del techo arriba de 8' (2,4 m) escoja el siguiente más grande generador de vapor.

Generador de vapor	Volumen del cuarto de vapor - Pies cúbicos (metros cúbicos)
5 kW	84 (2,4)
7 kW	112 (3,2)
9 kW	240 (6,8)
11 kW	317 (9,0)
18 kW	550 (15,6)
22 kW	634 (18,0)



2. Determine la ubicación de los herrajes para el vapor



ADVERTENCIA: Riesgo de lesiones personales. No instale la **interface del usuario para control de vapor** fuera del recinto de vapor. La interface del usuario debe ser instalada dentro del recinto para que los sensores regulen la temperatura y controlen el flujo de vapor.



ADVERTENCIA: Riesgo de quemaduras. No bloquee el cabezal de vapor ni lo ubique cerca de un asiento o de una banca, ya que el cabezal de vapor está caliente cuando está funcionando y puede quemar al usuario si lo toca.

¡IMPORTANTE! No instale el control directamente sobre o en línea con el cabezal de vapor.

AVISO: Al instalar el kit de control, deje lugar en el cable de control para un lazo de goteo. El lazo de goteo evita que la humedad siga el cable de control hasta el generador de vapor.

NOTA: Todas las dimensiones deben tomarse desde el interior de la ducha. Consulte más información de dimensiones y de instalación en la Guía de instalación del kit de control de vapor.

- Los cabezales de vapor dobles se pueden instalar en paredes opuestas para mejorar la distribución del vapor.
- Determine el lugar para el **cabezal de vapor**. Coloque los cabezales de vapor 6" (152 mm) arriba del piso de la ducha y a un mínimo de 4-1/2" (114 mm) del umbral de la puerta del recinto. El lugar para el cabezal de vapor debe estar a menos de 25' (7,62 m) del generador de vapor.
- En instalaciones de cabezal de vapor sencillo, determine el lugar para la **interface del usuario de control de vapor** en la pared opuesta al cabezal de vapor.
- En instalaciones de cabezales de vapor dobles, determine el lugar para la **interface del usuario de control de vapor** en una pared distinta a los cabezales de vapor. Ubique la interface del usuario lo más lejos que sea práctico de los cabezales de vapor.
- Ubique la interface del usuario de control de vapor a 60" (1524 mm) sobre el piso de la ducha.
- Asegúrese de que haya espacio libre adecuado entre las líneas de vapor y todas las superficies alrededor.

3. Instale el suministro eléctrico

Modelo	K-5525-NA	K-5526-NA	K-5529-NA	K-5531-NA	K-5539-NA	K-5543-NA
Tamaño del generador	5 kW	7 kW	9 kW	11 kW	18 kW (2 - 9 kW)	22 kW (2 - 11 kW)

Requisitos eléctricos

Instale el suministro eléctrico (cont.)

Circuito #1 dedicado al generador	240 V, 40 A, 50/60 Hz	240 V, 50 A, 50/60 Hz	240 V, 60 A, 50/60 Hz	240 V, 60 A, 50/60 Hz	240 V, 60 A, 50/60 Hz	240 V, 60 A, 50/60 Hz
Circuito #2 dedicado al generador	NA	NA	NA	NA	240 V, 60 A, 50/60 Hz	240 V, 60 A, 50/60 Hz
Capacidad eléctrica del producto	240 V, 27 A, 60 Hz	240 V, 36 A, 60 Hz	240 V, 45 A, 60 Hz	240 V, 46 A, 60 Hz	240 V, 45 A, 60 Hz	240 V, 46 A, 60 Hz

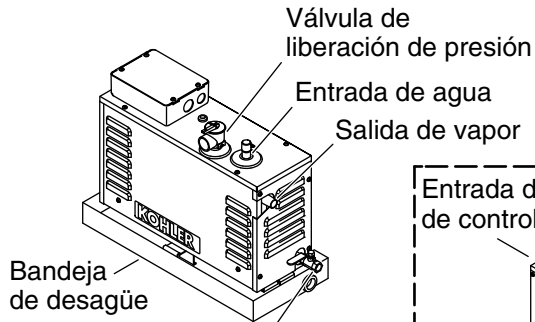


ADVERTENCIA: Riesgo de electrocución. Antes de realizar estos pasos de instalación, desconecte el suministro eléctrico al área de trabajo en el panel principal de interruptores de circuito.

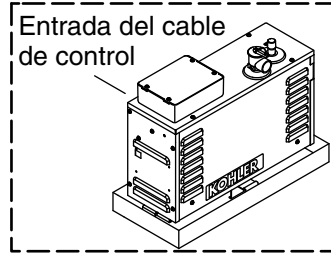
AVISO: Cada generador de vapor requiere un circuito dedicado. Las instalaciones de generadores de vapor dobles requieren un segundo circuito dedicado.

- Cumpla todos los códigos eléctricos locales. Todo el trabajo eléctrico debe hacerlo un electricista capacitado.
- En la tabla anterior, busque los requisitos de suministro eléctrico para su generador de vapor.
- Instale el suministro eléctrico apropiado (instale dos suministros dedicados para instalaciones de generadores de vapor dobles).

Instalación sencilla

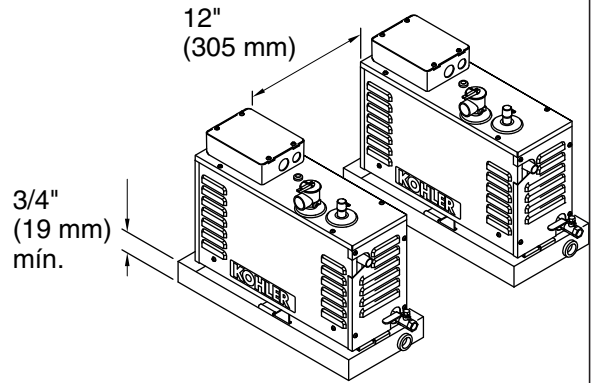


Desagüe (instale de acuerdo a los códigos aplicables.)



Mantenga un espacio mínimo de 12" (305 mm) alrededor de las unidades.

Instalación doble



4. Instale el generador de vapor



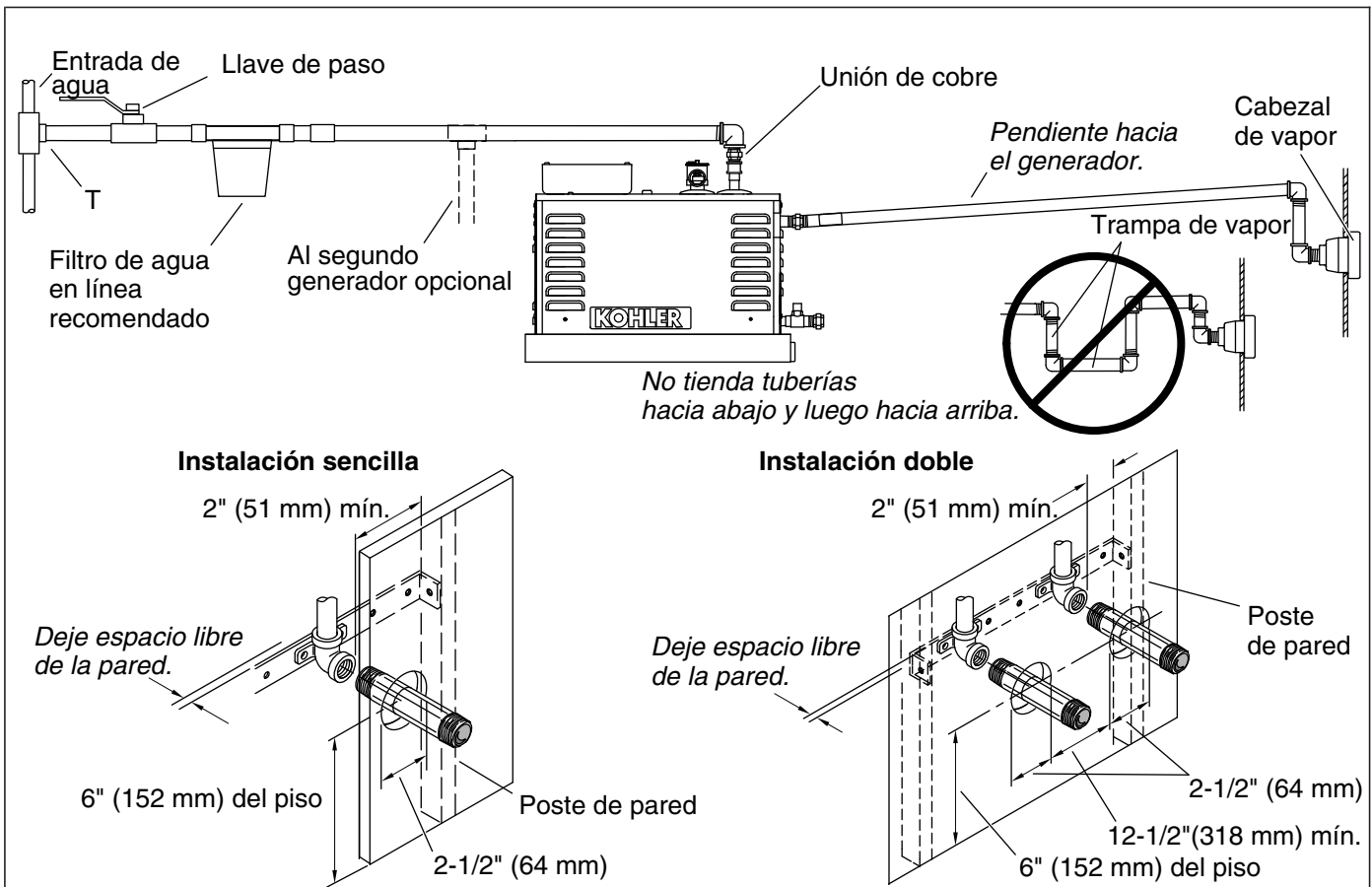
ADVERTENCIA: Riesgo de daños a la propiedad. Deje un espacio libre mínimo de 12" (305 mm) alrededor del generador de vapor en todo momento. Esto proporciona un área para que se disipe el calor generado por la unidad.

AVISO: Para obtener el mejor rendimiento, instale el generador de vapor lo más cerca posible al cabezal de vapor. El generador de vapor debe instalarse a menos de 25' (7,62 m) del cabezal de vapor.

- Instale la bandeja de desagüe deseada en el lugar del generador de vapor. Kohler Co. recomienda usar una bandeja de desagüe KOHLER.

¡IMPORTANTE! Si NO se está usando una bandeja de desagüe KOHLER, construya los bloques de soporte con material resistente al calor.

- Coloque el generador de vapor sobre los bloques de soporte.



5. Instale el suministro de agua y la línea de vapor



ADVERTENCIA: Riesgo de lesiones personales o daños a la propiedad. No instale la válvula de liberación de presión en la línea de vapor. Instalar la válvula de liberación de presión en la línea de vapor puede crear un peligro si se bloquea u obstruye la línea de vapor.



ADVERTENCIA: Riesgo de quemaduras. No instale un boca de sifón, una llave de paso, o una válvula de liberación de presión en la línea de vapor. Puede ser peligroso instalar la válvula de liberación de presión en la línea de vapor si se tapa la salida de vapor.



ADVERTENCIA: Riesgo de quemaduras. No conecte la salida de la válvula de desagüe en la línea de vapor. Asegúrese de que no haya valles ni pendientes en la línea de vapor.



ADVERTENCIA: Riesgo de lesiones personales o daños a la propiedad. No dirija la válvula de liberación de presión hacia el recinto. En caso de que se active la válvula de liberación de presión, el agua caliente podría rociar y ocasionar quemaduras al usuario y/o daños al recinto. Por lo tanto, la válvula de liberación de presión debe dirigirse hacia un área donde no se ocasionen daños por contacto con agua caliente, y debe cumplir los códigos de plomería nacionales y locales.

Instale la línea de suministro de agua al generador.

NOTA: En todas las conexiones roscadas NPT, use cinta para tuberías o sellador para tuberías. No apriete demasiado los conectores.

- Conecte a una línea de agua fría ya instalada, y tienda una línea de agua fría de 1/2" a una llave de paso antes del filtro de agua en línea.
- Antes de hacer la conexión final al generador de vapor, descargue la línea de suministro de agua en un balde grande. Esto elimina todos los desperdicios, el cieno, la arena, y otros materiales que pudiera haber en la línea. Asegúrese de que el tamiz del filtro esté en su lugar en el tubo de entrada de agua.

Instale el suministro de agua y la línea de vapor (cont.)

- Instale tubería de cobre de 1/2" con un conector de unión (suministrado con el generador de vapor) lo más cerca posible al generador de vapor.
- Conecte la línea de suministro de agua al generador de vapor.
- Abra el suministro de agua y llene el generador de vapor con agua. Verifique que no haya fugas.
- Verifique que la válvula de desagüe de agua en el generador esté cerrada.

AVISO: Los generadores de vapor están equipados con una llave de paso de cierre automático. El agua se detiene una vez que la unidad se llena. Si fluye agua hacia fuera de la salida de vapor, cierre el agua y consulte "Resolución de problemas" o comuníquese con el Centro de Atención al Cliente mediante la información en la parte posterior de este documento.

- Si la línea de suministro de agua excede 10' (3 m) o si está expuesta a áreas frías, instale aislante apropiado en la tubería.

Instale la línea de vapor



ADVERTENCIA: Riesgo de quemaduras. No ubique el cabezal de vapor cerca de un asiento o de una banca. Si se hace contacto con el cabezal de vapor se pueden producir quemaduras.

AVISO: Nunca tienda la línea de vapor hacia abajo y luego hacia arriba. Si se tiende la línea de vapor hacia abajo y luego hacia arriba se crea una trampa de vapor que bloquea el flujo de vapor. La línea de vapor debe tenderse hacia arriba al cabezal de vapor desde el generador de vapor, a una pendiente de 3/8" (10 mm) a 1/2" (13 mm) por cada 12" (305 mm) de tubería.

AVISO: Deje espacio libre entre la pared posterior y el codo que lleva a la caja de vapor. El codo no debe hacer contacto con ningún material de pared.

AVISO: Deje espacio libre entre la línea de vapor y todas las superficies alrededor.

AVISO: Al soldar las conexiones, no aplique calor excesivo a las conexiones del generador. No aplique fundente ni ácidos directamente al generador de vapor, pues se pueden dañar los sellos, los componentes de plástico y el acabado de la guarnición. No aplique lubricantes derivados del petróleo a los componentes del generador de vapor, pues se podrían ocasionar daños.

NOTA: Use cinta selladora de roscas o sellador de tuberías en las conexiones roscadas. No apriete demasiado los conectores.

NOTA: Use tubo de cobre de 1/2" para la línea de vapor.

NOTA: Cuando sea posible, use codos de 45°. El rendimiento mejora cuando se usan codos de 45°.

NOTA: Siempre instale un conector de unión (incluido) lo más cerca posible al generador de vapor.

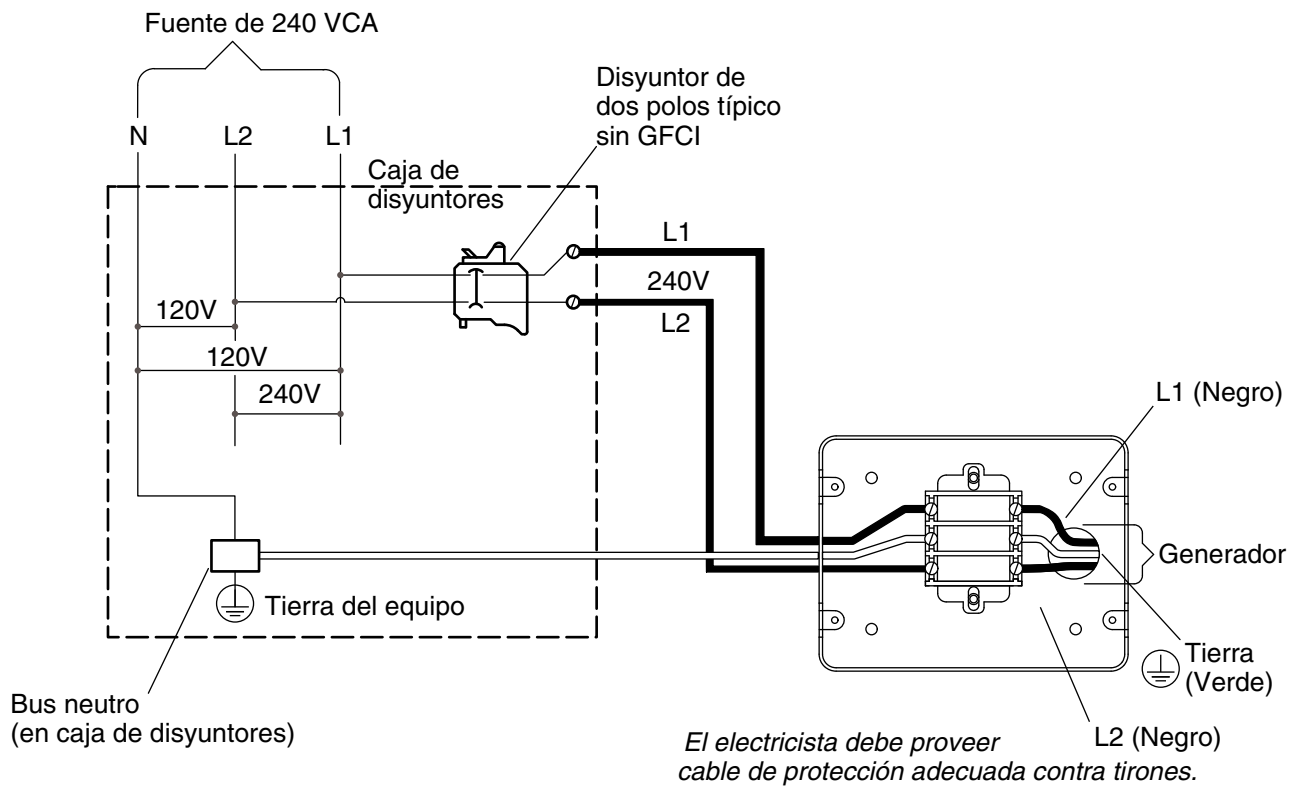
- Agregue bloques detrás del lugar deseado para el cabezal de vapor.
- Instale y fije un codo de 1/2" NPT al bloque, directamente detrás del lugar deseado para el cabezal de vapor.
- Instale un niple de cobre de 1/2" temporal que sobresalga de la pared acabada.

Información del modelo del producto

Modelo	K-5525-NA	K-5526-NA	K-5529-NA	K-5531-NA	K-5539-NA	K-5543-NA
Pesa	29 lb (13,2 kg)	29 lb (13,2 kg)	29 lb (13,2 kg)	29 lb (13,2 kg)	48 lb (21,8 kg)	48 lb (21,8 kg)
Suministro de agua	Línea de cobre de 1/2"	Línea de cobre de 1/2"	Línea de cobre de 1/2"	Línea de cobre de 1/2"	Línea de cobre de 1/2"	Línea de cobre de 1/2"
Línea de vapor	Línea de cobre de 1/2"	Línea de cobre de 1/2"	Línea de cobre de 1/2"	Línea de cobre de 1/2"	Línea de cobre de 1/2"	Línea de cobre de 1/2"

Instale el suministro de agua y la línea de vapor (cont.)

Válvula de liberación de presión (suministrada)	Rosca hembra de 3/4" NPT	Rosca hembra de 3/4" NPT	Rosca hembra de 3/4" NPT	Rosca hembra de 3/4" NPT	Rosca hembra de 3/4" NPT	Rosca hembra de 3/4" NPT
Válvula de la línea de desagüe	3/8" NPT	3/8" NPT	3/8" NPT	3/8" NPT	3/8" NPT	3/8" NPT



6. Conecte el suministro eléctrico



ADVERTENCIA: Riesgo de electrocución. Desconecte toda la corriente antes de realizar estos pasos de instalación.

AVISO: Todo el trabajo eléctrico debe hacerlo un electricista capacitado.

AVISO: Todo el cableado eléctrico debe hacerse de acuerdo a los códigos locales.

AVISO: Cada generador de vapor requiere un circuito dedicado. Las instalaciones de generadores de vapor dobles requieren un segundo circuito dedicado.

¡IMPORTANTE! Asegúrese de que el suministro de agua al generador de vapor esté abierto antes de conectar el suministro eléctrico.

Conecte el suministro eléctrico

- Apague toda la electricidad al área de trabajo en el panel principal de interruptores de circuito.
- Conecte una línea eléctrica de 240 VCA a los cables etiquetados "L1," "L2," y al cable verde (de tierra) que sale de la caja de servicio de campo del generador de vapor que está en la parte superior del generador de vapor.
- Confirme que se haya hecho la conexión a tierra en la caja de servicio de campo.
- Cierre la caja de servicio de campo.
- Encienda la alimentación eléctrica principal.
- La luz de función debe estar iluminada en verde. Si la luz de función no está verde, consulte la sección "Resolución de problemas" o comuníquese con el Centro de Atención al Cliente con el número que está en la parte posterior de este documento.



Etiqueta de advertencia

7. Termine de hacer la instalación

- Retire el protector del adhesivo de la etiqueta de advertencia provista, y aplique la etiqueta a la pared de la ducha o al recinto de vapor.
- Instale la caja de vapor y el cabezal de vapor de acuerdo a las instrucciones empacadas con el kit de control de vapor.
- Instale el controlador de vapor de acuerdo a las instrucciones empacadas con el kit de control de vapor.
- Instale el control de vapor de acuerdo a las instrucciones de funcionamiento provistas con el kit de control de vapor.

Resolución de problemas



PRECAUCIÓN: Riesgo de lesiones personales. Los pasos de resolución de problemas que impliquen cableado interno o conexiones eléctricas solo las debe hacer un electricista capacitado.

NOTA: Los siguientes pasos de resolución de problemas solo se aplican al generador de vapor en sí. En el caso de asuntos que impliquen el control de vapor, consulte la sección "Resolución de problemas" del kit de control de vapor.

NOTA: Para consultar información sobre piezas de repuesto, visite la página de su producto en kohler.com/serviceparts.

Esta guía de resolución de problemas está diseñada únicamente como ayuda general. Si tiene preguntas con respecto al servicio y a la instalación, llame a 1-800-4KOHLER.

Síntomas	Causas probables	Acción recomendada
1. La luz LED verde no está iluminada y no sale vapor del cabezal de vapor.	A. No hay corriente eléctrica en el generador de vapor.	A1. Restablezca la corriente eléctrica en el interruptor de circuito.
		A2. Haga que un electricista capacitado verifique que haya suministro eléctrico de 240 V en el generador de vapor.
	B. El interruptor de circuito está en la posición de apagado "Off".	B. Encienda la corriente eléctrica en el interruptor de circuito.
	C. El interruptor de circuito no es del tamaño correcto.	C. Verifique que el interruptor de circuito sea del tamaño correcto. Cambie el interruptor de circuito si es del tamaño incorrecto.

Resolución de problemas (cont.)		
Síntomas	Causas probables	Acción recomendada
	D. La conexión eléctrica en la caja de servicio de campo del generador de vapor está suelta.	D. Apague la corriente eléctrica al generador de vapor. Haga que un electricista capacitado abra la caja de servicio de campo del generador de vapor y que revise y repare las conexiones.
2. La luz LED verde está iluminada, pero no sale vapor del cabezal de vapor.	A. El suministro de agua está cerrado.	A. Abra el suministro de agua.
	B. El tamiz de la entrada está tapado.	B. Retire y limpie el tamiz de la entrada.
	C. Contrapresión excesiva causada por un tendido demasiado largo de tubería o por demasiados codos de 90°.	C. Mueva el generador de vapor más cerca al cabezal de vapor o use codos de 45°.
	D. Obstrucción de agua debida a una trampa de vapor en la línea de vapor. Las trampas de vapor las causa una línea de vapor que baja del generador de vapor y luego sube hacia el cabezal de vapor.	D. Cambie la tubería de vapor para que tenga una pendiente hacia abajo del cabezal de vapor al generador de vapor.
	E. El control de vapor no está conectado.	E1. Revise las conexiones de cableado de acuerdo a la guía de instalación y cuidado del control de vapor.
		E2. Use el kit para resolver problemas adjunto al generador de vapor para resolver problemas de conexión.
3. Hay un flujo continuo de agua del cabezal de vapor. Es normal que fluya agua durante el ciclo de autolimpieza.	A. Los componentes internos del generador de vapor no están funcionando.	A1. Cierre el suministro de agua y drene el agua del generador de vapor. Cierre la válvula de desagüe.
		A2. Abra parcialmente la llave de paso del suministro de agua.
		A3. Deje que el agua llene gradualmente el tanque del generador de vapor (puede tomar varios minutos). Si el agua continúa fluyendo del cabezal de vapor, repita A1 anterior.
		A4. Abra por completo la llave de paso del suministro de agua.
		A5. Solo en modelos con la opción de autolimpieza: Si el agua continúa fluyendo del cabezal de vapor, inicie el ciclo de autolimpieza.
		A6. Si el agua continúa fluyendo del cabezal de vapor, comuníquese con el Centro de Atención al Cliente mediante la información en la parte posterior de esta guía.
		B. El suministro de agua está mal conectado al generador de vapor.

Resolución de problemas (cont.)

Síntomas	Causas probables	Acción recomendada
4. Sale vapor del cabezal de vapor y el control está apagado.	A. Elevaciones sobre 6000' (1829 m) sobre el nivel del mar pueden causar que el agua hierva a temperaturas más bajas.	A. A elevaciones sobre 6000' (1829 m) sobre el nivel del mar comuníquese con el Centro de Atención al Cliente de Kohler Co. para obtener instrucciones acerca de cómo desconectar la bobina de arranque rápido.

Garantía

Generador de vapor KOHLER GARANTÍA LIMITADA DE TRES AÑOS

Se garantizan al comprador consumidor original las unidades generadoras de vapor de Kohler fabricadas después del 15 de septiembre del 2001 contra defectos de fabricación en material y mano de obra durante el uso residencial normal durante (3) tres años a partir de la fecha de instalación. Esta garantía se aplica solo a las unidades generadoras de vapor KOHLER instaladas en Estados Unidos de América, Canadá o México ("Norteamérica").

Si se encuentra algún defecto durante el uso residencial normal, Kohler Co., a su criterio, reparará o reemplazará la unidad o realizará los ajustes pertinentes. Esta garantía no cubre daños causados por accidente, abuso o uso indebido. Al presentar las reclamaciones de garantía a Kohler Co. es necesario incluir el comprobante de compra (recibo de venta original). Kohler Co. no se hace responsable de costos de mano de obra, desinstalación, instalación u otros costos indirectos. En ningún caso la responsabilidad de Kohler Co. excederá el precio de compra de la unidad.

Si esta unidad se utiliza comercialmente o si se instala fuera del territorio de Norteamérica, Kohler Co. garantiza la unidad contra defectos de material y de mano de obra durante un (1) año a partir de la fecha de instalación, estando en efecto todas las demás condiciones de esta garantía, excepto la duración.

Para obtener el servicio de garantía comuníquese con Kohler Co. a través de su distribuidor, contratista de plomería, centro de remodelación o distribuidor por Internet, o escriba a Kohler Co., Atención: Customer Care Center, 444 Highland Drive, Kohler, WI 53044, EE.UU., o llame al 1-800-4-KOHLER (1-800-456-4537) desde los EE.UU. y Canadá, o al 001-800-456-4537 desde México, o visite www.kohler.com desde los EE.UU., www.ca.kohler.com desde Canadá, o www.mx.kohler.com en México.

KOHLER CO. Y/O EL VENDEDOR OFRECEN ESTAS GARANTÍAS QUE SUSTITUYEN A TODAS LAS DEMÁS GARANTÍAS, EXPRESAS O IMPLÍCITAS, INCLUIDAS, ENTRE OTRAS, LAS GARANTÍAS IMPLÍCITAS DE COMERCIALIZACIÓN E IDONEIDAD PARA UN USO DETERMINADO. KOHLER CO. Y/O EL VENDEDOR DESCARGAN TODA RESPONSABILIDAD POR CONCEPTO DE DAÑOS PARTICULARES, INCIDENTALES O INDIRECTOS. Algunos estados/provincias no permiten limitaciones en cuanto a la duración de una garantía implícita o a la exclusión o limitación de daños particulares, incidentales o indirectos, por lo que es posible que estas limitaciones y exclusiones no se apliquen a su caso. Esta garantía le otorga ciertos derechos legales específicos. Además, usted puede tener otros derechos que varían de estado a estado y provincia a provincia.

Esta es la garantía exclusiva por escrito de Kohler Co.

USA/Canada: 1-800-4KOHLER

México: 001-800-456-4537

kohler.com

THE BOLD LOOK
OF **KOHLER**®

©2018 Kohler Co.

1230487-2-E