

160.6410 | 1/2" Body Jet With Concealed Valve

SPECIFICATIONS:

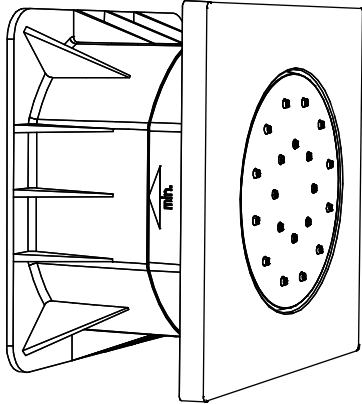
- 1.05 GPM Flow Rate @ 60 PSI
- Includes Concealed In-Wall Valve
- 20 Degree swivel directional angle

FINISHES :

- Chrome - 160.6410CP, Brushed Nickel - 160.6410BN

STANDARDS:

- ASME A112.18.1 / CSA B125.1



Legislation Compliance



ZeroDrip Technology



Technical Diagram

SEE ALSO:

- 1) 160.6415 (1/2" Spin Jet)

