



145.2400 | 4-Hole Deck Mounted Roman Tub Filler With Hand Held

SPECIFICATIONS:

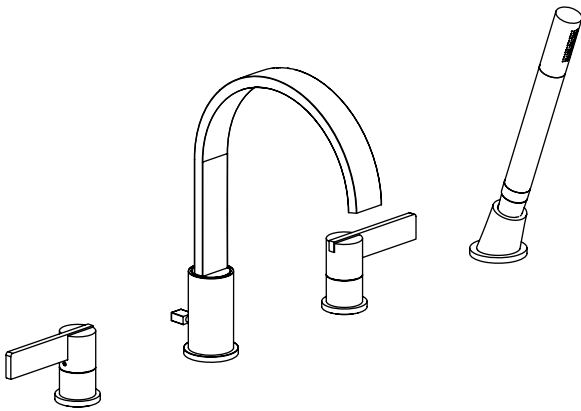
- Solid Brass construction - includes valve
- Four Hole Installation
- Hand Shower Flow Rate = 2.0 GPM @ 60 PSI w/ back flow prevention
- Diverter controls water flow between spout and hand held
- Ceramic disc cartridge allows both volume and temperature control

FINISHES :

- Chrome - 145.2400CP

STANDARDS:

- ASME A112.18.1 / CSA B125.1



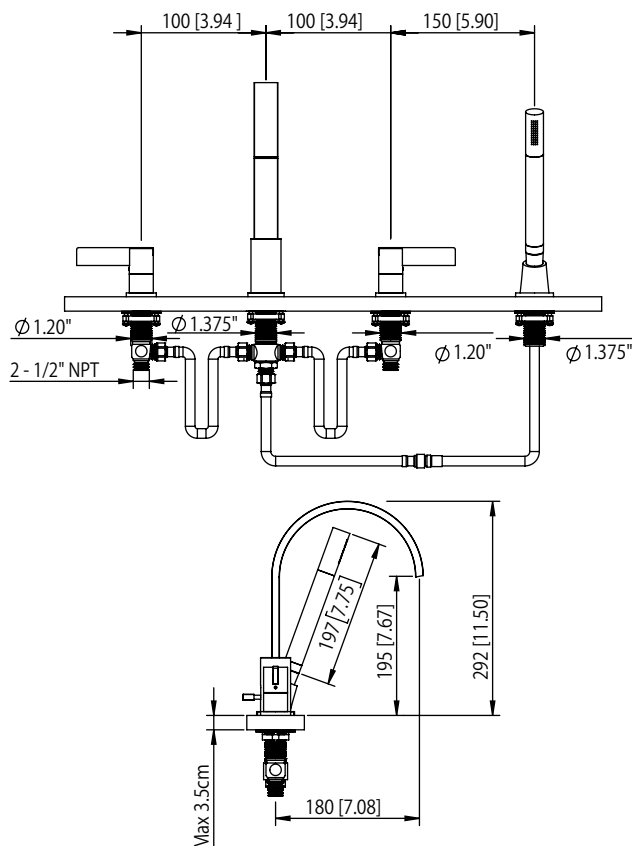
Legislation Compliance



ZeroDrip Technology



Technical Diagram



Exploded View

