

Metris
Single-Hole Faucet 260 with Pop-Up Drain, 1.2 GPM
 Finishes : **brushed nickel** Part no. : **31082821**



Description

Features

- Aerated spray
- Flow: 1.2 GPM (4.5 L/Min)
- Ceramic cartridge
- Includes pop-up drain

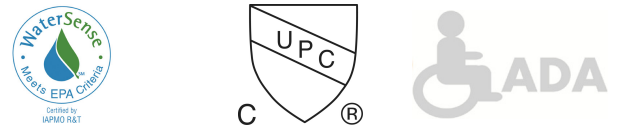
Item details

List Price \$ 643.00

Technology



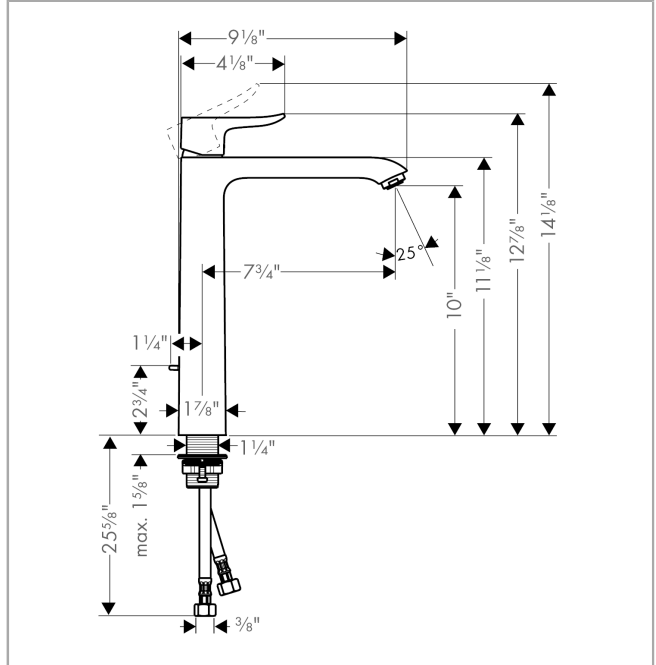
Compliance



Product image



Scale drawing



Metris

Single-Hole Faucet 260 with Pop-Up Drain, 1.2 GPM

Finishes : **brushed nickel** Part no. : **31082821**



Spare parts list

Year of production: >07/16

| Pos. | Description | Part no. | Price | PU |
|------|-----------------------------------|----------|-------|----|
| 1 | handle | 95519820 | - | 1 |
| 2 | screw cover | 96338000 | - | 1 |
| 3 | flange | 97406820 | - | 1 |
| 4 | nut | 97209000 | - | 1 |
| 5 | cartridge, assy | 95646001 | - | 1 |
| 6 | locking screw for handle | 95140000 | - | 1 |
| 7 | seal | 95008000 | - | 1 |
| 8 | adapter for cartridge | 98750000 | - | 1 |
| 9 | aerator M24x1 (4,5 l/min) | 92877820 | - | 1 |
| 10 | flat seal | 98749000 | - | 1 |
| 11 | fixing set (Ø 32) | 13961000 | - | 1 |
| 12 | connection hose 35½" M8x0,75 3/8" | 96316001 | - | 1 |
| 13 | pull rod | 96657000 | - | 1 |
| 14 | O-Ring 32x2 | 98193000 | - | 1 |
| 15 | O-Ring 30x2 | 98186000 | - | 1 |
| a | pop up waste | 88509820 | - | 1 |