

**ShowerSelect S**

**Thermostatic Trim for 2 Functions, Round**

Finishes : **brushed bronze** Part no. : **15743141**



**Description**

**Features**

- Select push-button on/off control for 2 outlets
- Outlets may be operated simultaneously
- Flow: 8.0 GPM (30.3 L/Min) / 2.0 GPM (7.6 L/Min)
- Thermostatic cartridge, Start/stop cartridge
- Anti-scald 100° safety stop
- Optimized for water-efficient shower products
- Trim comes with Select buttons: handshower and Rain

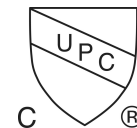
**Item details**

List Price \$ 862.00

**Technology**



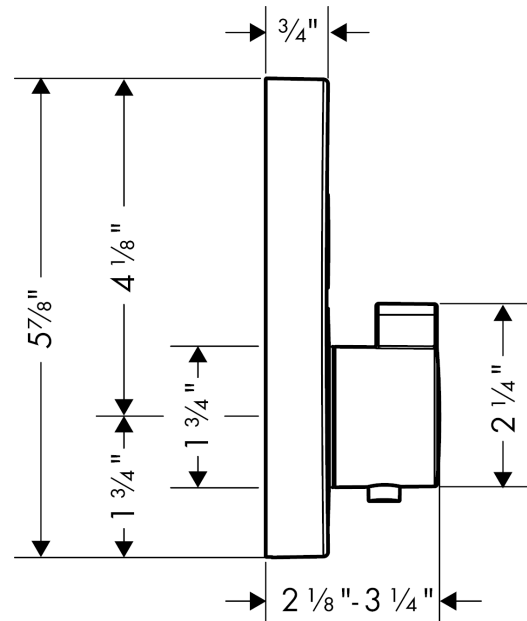
**Compliance**



**Product image**



**Scale drawing**

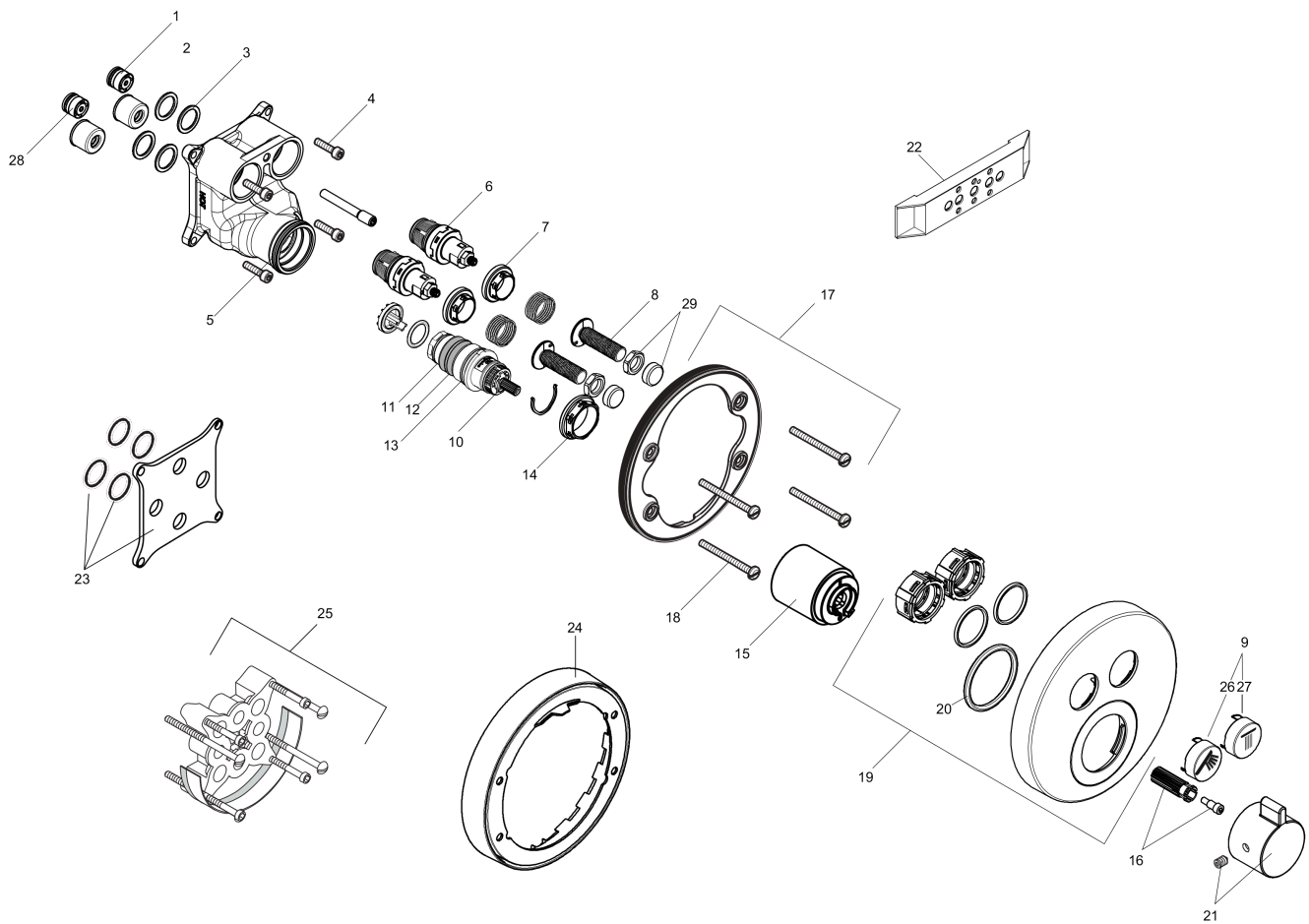


**ShowerSelect S**  
**Thermostatic Trim for 2 Functions, Round**  
 Finishes : **brushed bronze** Part no. : **15743141**



**Exploded drawing**

Year of production: >08/20



## ShowerSelect S

### Thermostatic Trim for 2 Functions, Round

Finishes : **brushed bronze** Part no. : **15743141**



#### Spare parts list

Year of production: >08/20

Pos.	Description	Part no.	Price	PU
1	non return valve	97980000	-	1
2	noise reduction	94073000	-	1
3	O-ring 16x2	98133000	-	1
4	set of screws	96525000	-	1
5	O-ring 36x2	98156000	-	1
6	shut off unit	95758000	-	1
7	nut	98368000	-	1
8	Select-adapter	92219000	-	1
9	set of symbols	92218000	-	1
10	thermostat cartridge	98282001	-	1
11	O-ring 20x1,5	98197000	-	1
12	O-ring 25x1,5	98146000	-	1
13	O-ring 25x2,5	92146000	-	1
14	nut	98913000	-	1
15	sleeve	92216140	-	1
16	handle fixing set	95843000	-	1
17	holder for escutcheon	98793000	-	1
18	set of fixing screws	96454000	-	1
19	escutcheon 155 / 155 mm	92217141	-	1
20	O-ring 44x4	98471000	-	1
21	handle for thermostat	92215141	-	1
22	fit-up aid	92540000	-	1
23	compensation set 1°	95521000	-	1
24	extension 22 mm (Ø 150 mm)	13597140	-	1
25	extension 25 mm	13595000	-	1
26	symbol head shower Rain small	93572880	-	1
27	symbol handshower	93573880	-	1
28	non return valve (pressure-resistant up to 2 MPa)	92594000	-	1
29	nut and flange	92696000	-	1
a	pushbutton	93955880	-	1
b	screw cover	95181000	-	1
c	set of fixing screws	97747000	-	1
d	brake disc	92498000	-	1
e	symbol head shower Rain large	93571880	-	1
f	symbol Flood jet	93574880	-	1
g	symbol Whirl	93575880	-	1
h	symbol Mono	93576880	-	1
i	symbol tub	93577880	-	1
j	symbol body shower	93578880	-	1
k	symbol ON/OFF	93579880	-	1