

**Ecostat Classic**  
**Thermostatic Trim with Volume Control, Square**  
 Finishes : **brushed nickel** Part no. : **15727821**



**Description**

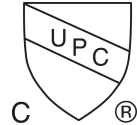
**Features**

- Volume control for 1 outlet
- Flow: 6.0 GPM (22.7 L/Min)
- Thermostatic cartridge, Ceramic cartridge
- Anti-scald 100° safety stop
- Optimized for water-efficient shower products

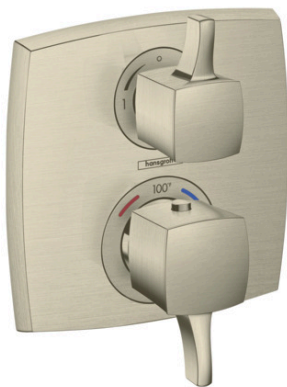
**Item details**

List Price \$ 595.00

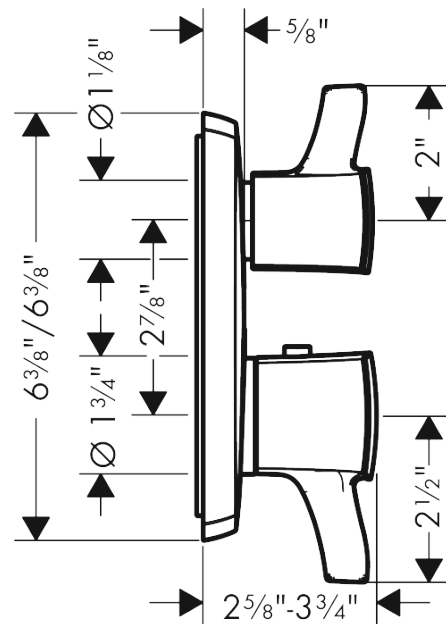
**Compliance**



**Product image**



**Scale drawing**

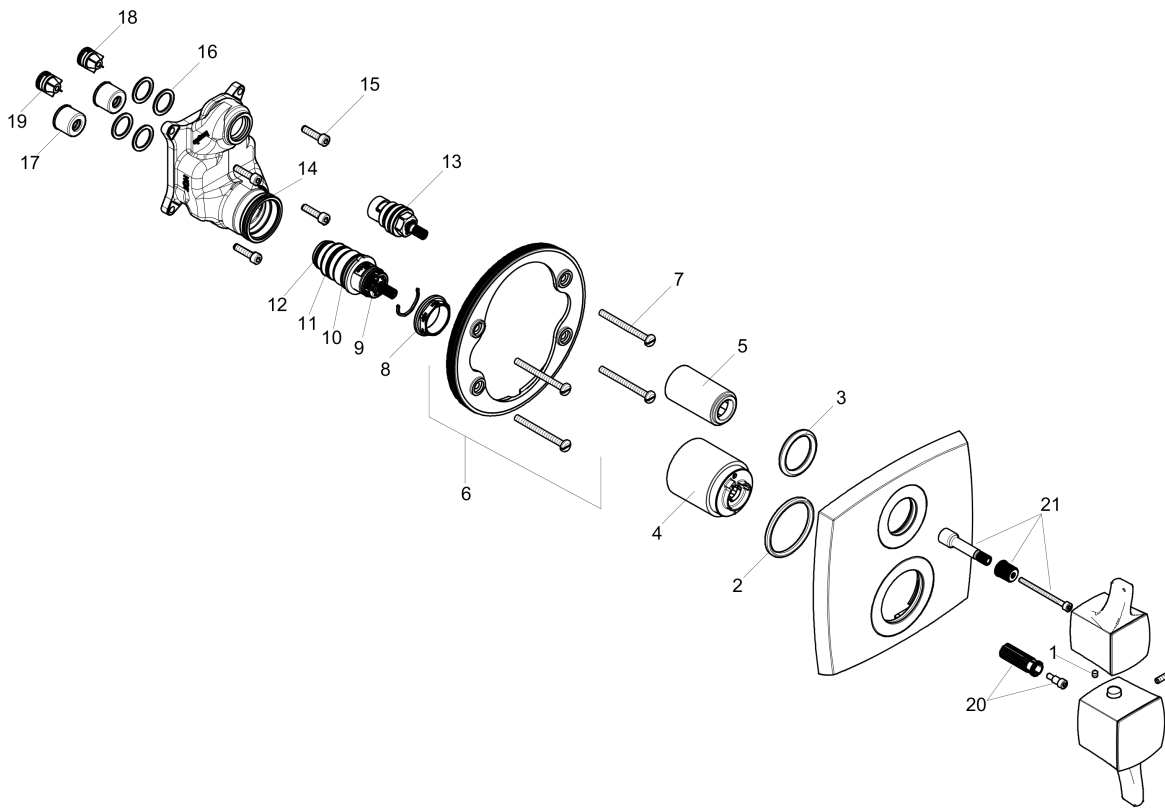


**Ecostat Classic**  
**Thermostatic Trim with Volume Control, Square**  
 Finishes : **brushed nickel** Part no. : **15727821**



**Exploded drawing**

Year of production: >01/19



**Ecostat Classic**  
**Thermostatic Trim with Volume Control, Square**  
 Finishes : **brushed nickel** Part no. : **15727821**



## Spare parts list

Year of production: >01/19

Pos.	Description	Part no.	Price	PU
1	hollow set screw M4x5	92846000	-	1
2	O-ring 44x4	98471000	-	1
3	O-ring 30x5	98153000	-	1
4	sleeve	92216820	-	1
5	sleeve	96446820	-	1
6	holder for escutcheon	98793000	-	1
7	set of fixing screws	96454000	-	1
8	nut	98913000	-	1
9	thermostat cartridge	98282000	-	1
10	O-ring 25x2,5	92146000	-	1
11	O-ring 25x1,5	98146000	-	1
12	O-ring 20x1,5	98197000	-	1
13	shut off unit right closing	94009000	-	1
14	O-ring 36x2	98156000	-	1
15	set of screws	96525000	-	1
16	O-ring 16x2	98133000	-	1
17	noise reduction	94073000	-	1
18	set of non return valves DW 15	97350000	-	1
19	non return valve (pressure-resistant up to 2 MPa)	92594000	-	1
20	handle fixing set	95843000	-	1
21	adapter for handle	95252000	-	1
a	compensation set 1°	95521000	-	1
b	extension 25 mm	13595000	-	1
c	set of fixing screws	97747000	-	1