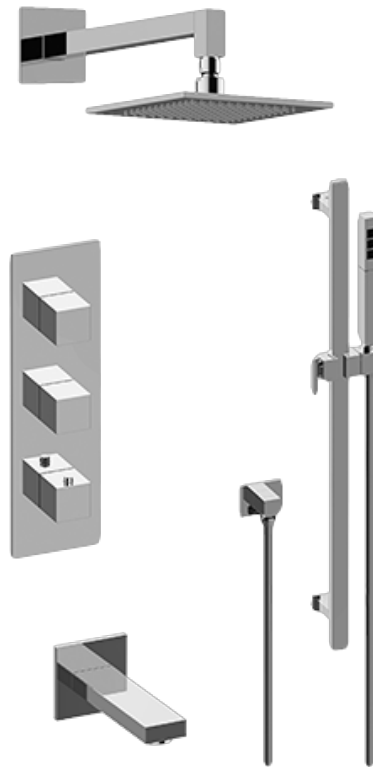


SHOWER  
M-Series Thermostatic Shower  
System - Tub and Shower with  
Handshower  
**GM3.612WT-SH0**

---

**GRAFF**<sup>®</sup>



## Information

- 3/4" thermostatic valve and trim
- 3/4" stop/volume control valve and 3-way diverter valve
- 8" showerhead with 12" wall-mounted shower arm
- Showerhead features no-clog, easy-clean spray nozzles
- Handshower set with wall-mounted slide bar and 59" hose (PVD finishes use 59" flex hose)
- 8" contemporary tub spout
- Optional extension kit
- Flow rates: showerhead  $\leq 1.8$  max gpm, handshower  $\leq 1.5$  max gpm
- CALGreen

SHOWER  
Thermostatic Rough Valve  
**G-8006**



**Information**

- 12.9 gpm @ 60 psi
- 3/4" universal inlets
- Built-in service stops
- Stacking outlet feature
- Complete serviceability from front of all units
- Supplied with protective plastic cover
- CalGreen compliant dependent on functions

**Finishes**





# G-8006

M-Series

3/4" Concealed Thermostatic Rough Valve



## Product Features

- 12.9 gpm @ 60 psi
- 3/4" universal inlets
- Built-in service stops
- Stacking outlet feature
- Complete serviceability from front of all units
- Supplied with protective plastic cover
- CalGreen compliant dependent on functions

## Code Compliance

- CALGreen

## Warranty

- Limited lifetime warranty

For complete warranty information go to [www.graff-faucets.com/en/info/faqs](http://www.graff-faucets.com/en/info/faqs)

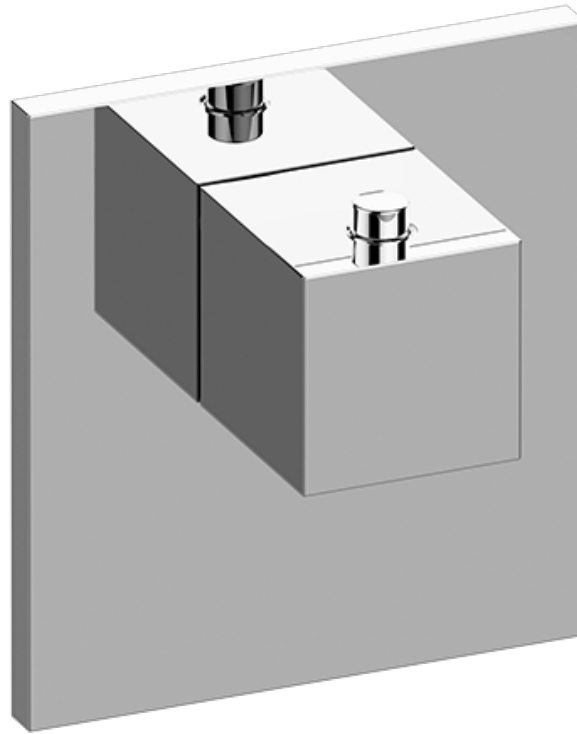


The measurements shown are for reference only. Products and specifications shown are subject to change without notice. Revised 3/2016.

[www.graff-faucets.com](http://www.graff-faucets.com) | phone: 800-954-4723

SHOWER  
M-Series Square Thermostatic  
Valve Trim Plate and Handle  
**G-8043-SH-T**

**GRAFF®**



**Information**

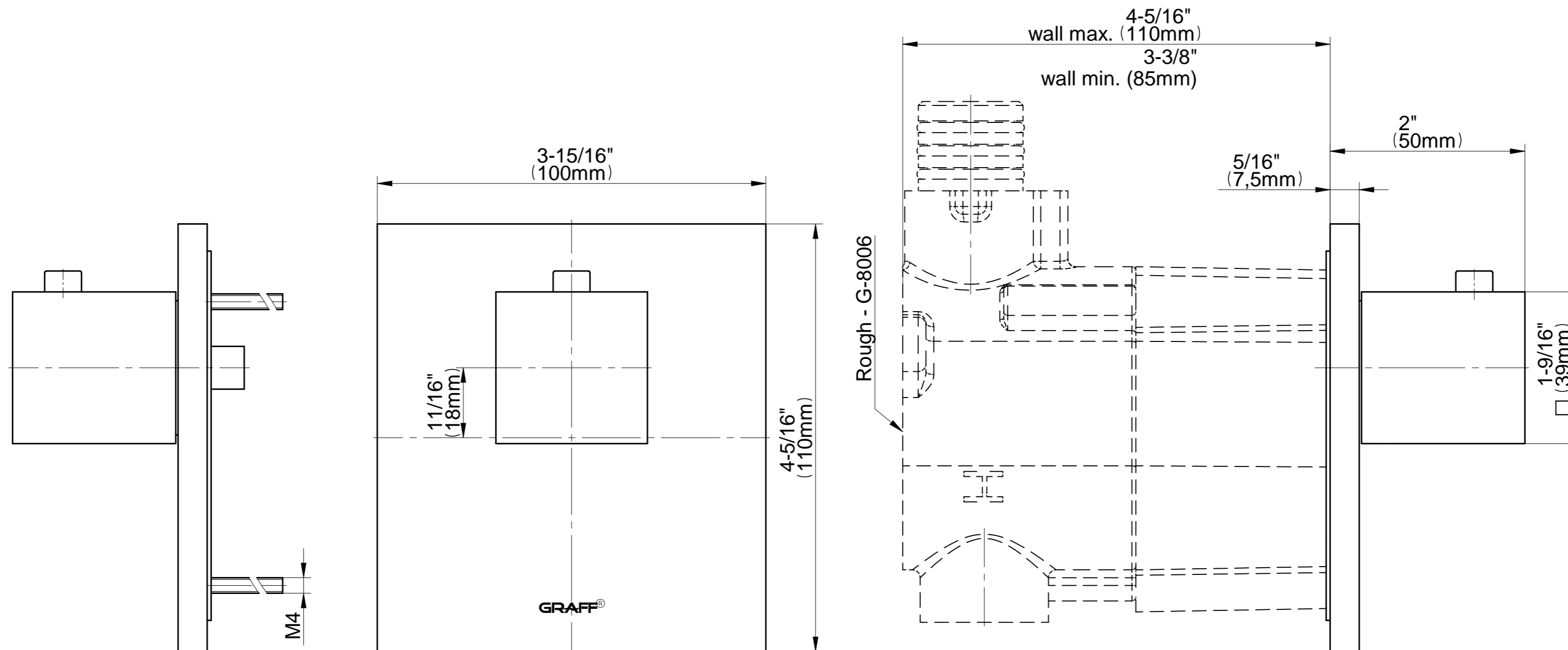
- Single metal handle
- Decorative trim plate
- Use with G-8006 thermostatic rough valve
- To complete package, you must order rough valve

**Finishes**



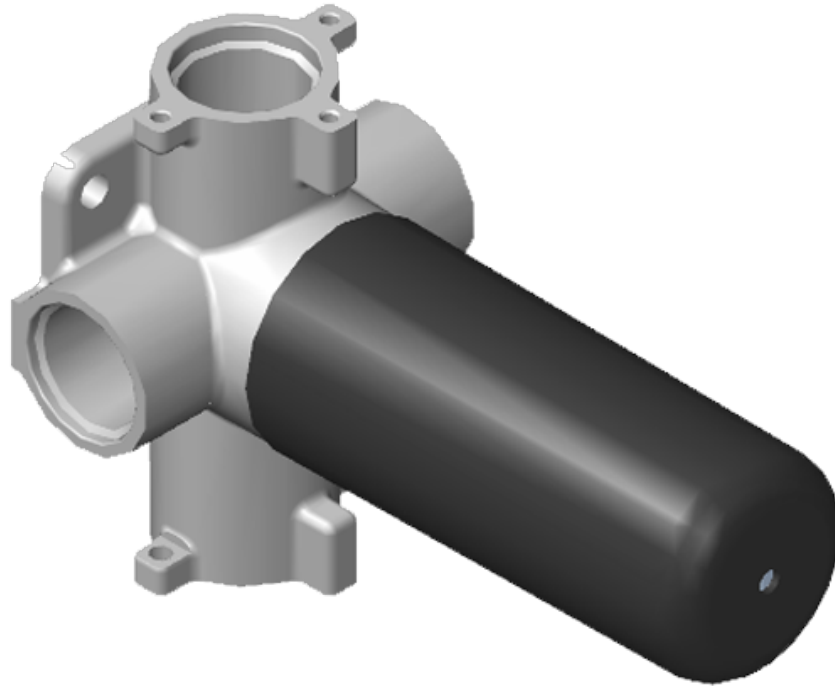
# G-8043-SH-T

## Thermostatic Valve -Trim - M-Series



**GRAFF**<sup>®</sup>  
CUTTING EDGE DESIGN

SHOWER  
 Three-Way Shared Function  
 Diverter Control Valve WITHOUT  
 Off Function (No Pass-Through)  
**G-8053S**



**Information**

- ~11 gpm @ 60 psi
- 3/4" universal inlets/outlets with female threads
- Operates one function separately or two functions together
- Recommended to use with G-8077 Stop/Volume Control Valve
- Stacking inlet feature
- Supplied with protective plastic cover

**Finishes**

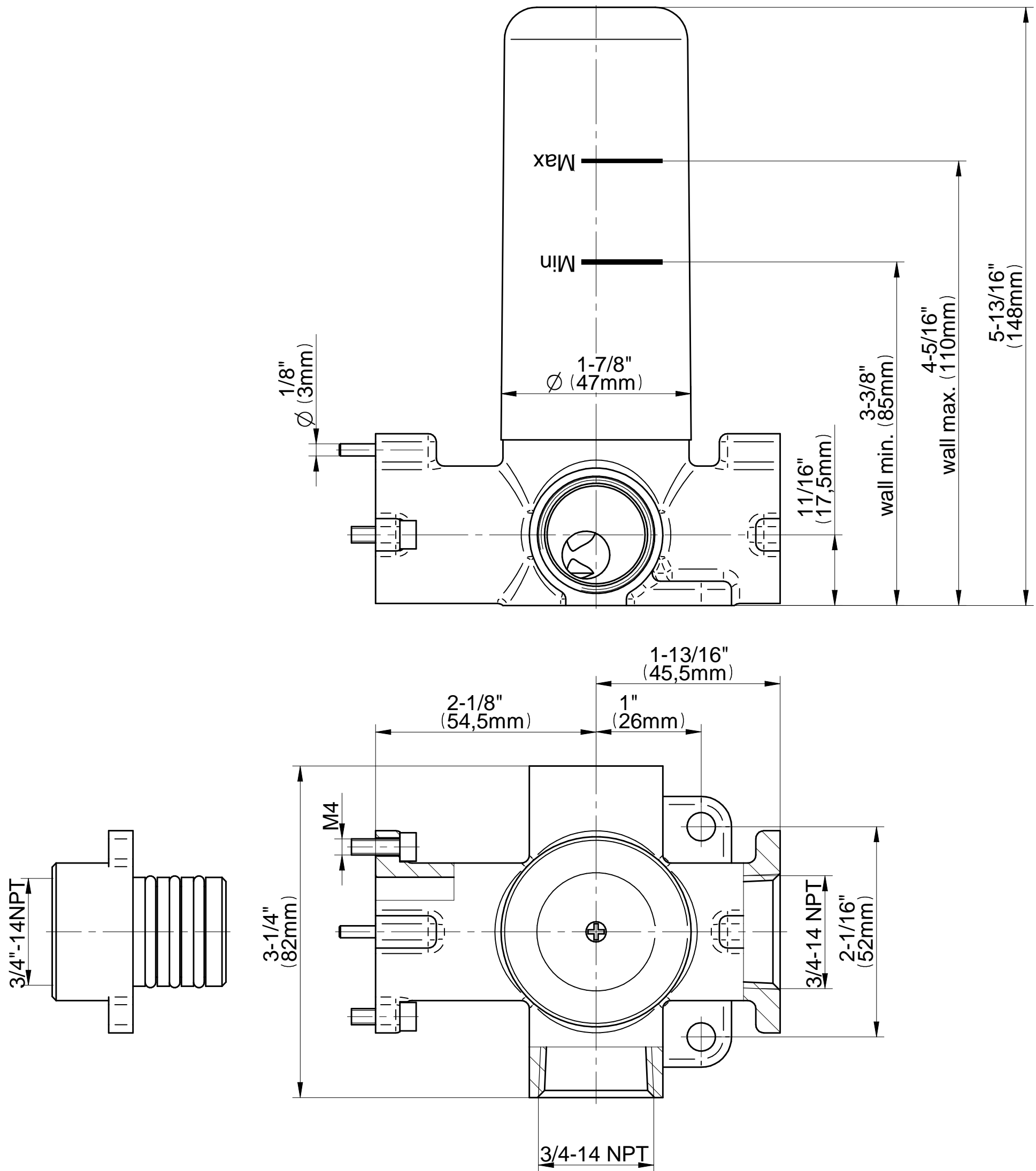


Steelnox® Architectural  
(Satin Nickel) White

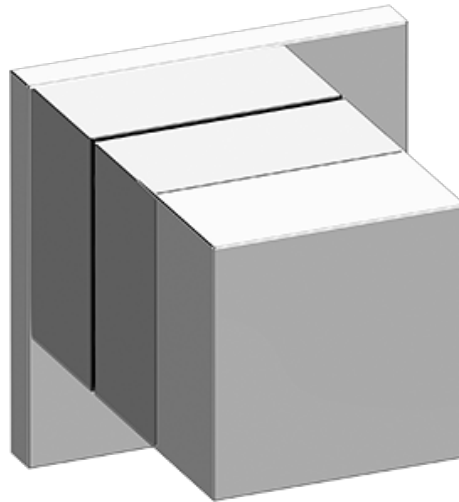


# G-8053S

## 3-way Diverter Valve - Rough - M-Series



SHOWER  
M-Series Square Three-Way  
Diverter Valve Trim Plate and  
Handle  
**G-8072-SH1-T**



**Information**

- Single metal handle
- Decorative trim plate
- Use with G-8053 3-way diverter control rough valve WITH off function
- To complete package, you must order rough valve

**Finishes**

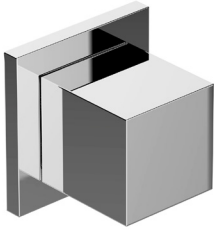




# G-8072-SH1-T

M-Series

Square M-Series 3-Way Diverter Valve Trim with Handle



## Product Features

- Single metal handle
- Decorative trim plate
- Use with G-8053 3-way diverter control rough valve WITH off function
- To complete package, you must order rough valves

## Available Finishes

- Polished Chrome  
G-8072-SH1-PC-T
- Brushed Nickel  
G-8072-SH1-BNi-T
- Polished Nickel  
G-8072-SH1-PN-T
- Olive Bronze  
G-8072-SH1-OB-T
- Architectural Black w/Chrome Accents  
G-8072-SH1-PC/BK-T

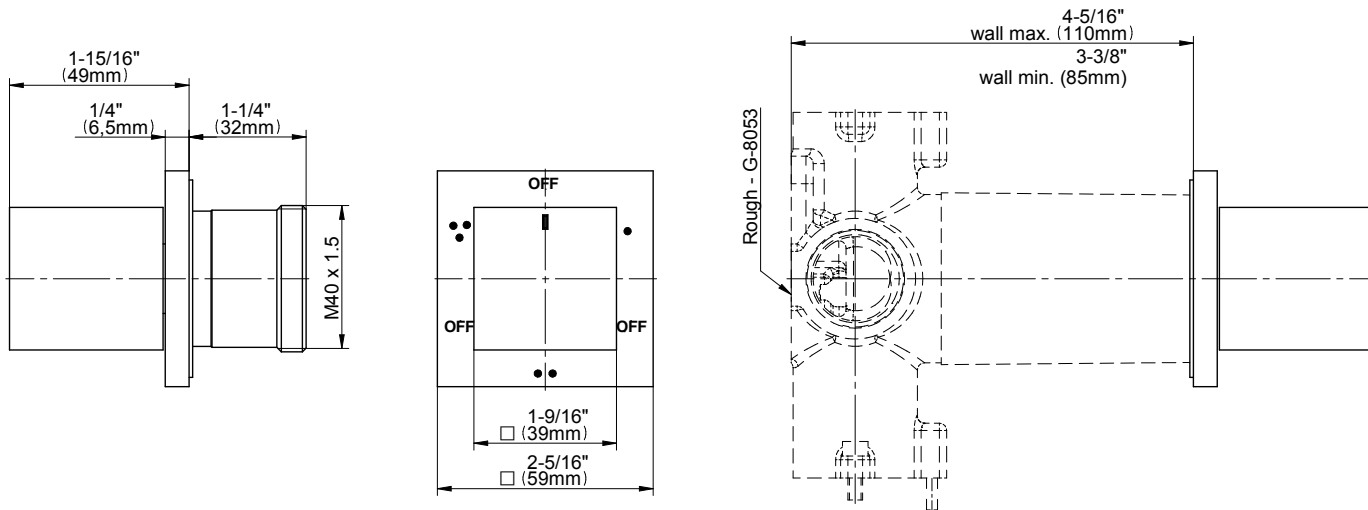
## Code Compliance

- CalGreen compliant dependent on functions

## Warranty

- Limited lifetime warranty

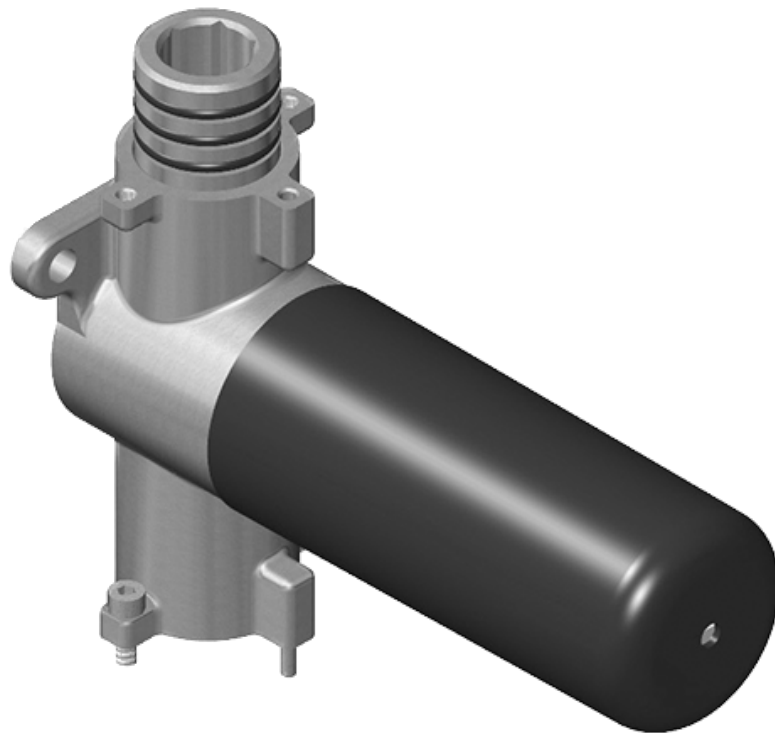
For complete warranty information go to <http://www.graff-faucets.com/en/info/faqs>



The measurements shown are for reference only. Products and specifications shown are subject to change without notice. Revised 02/2017.

[www.graff-faucets.com](http://www.graff-faucets.com) | phone: 800-959-4723

SHOWER  
 Stop/Volume Control Rough Valve  
**G-8077**



**Information**

- 18.1 gpm @ 60 psi
- 3/4" universal inlets/outlets with female threads
- Stacking inlet and outlet feature
- Supplied with protective plastic cover
- CalGreen compliant dependent on functions

**Finishes**

							
24K Gold	24K Brushed Gold	Brushed Brass PVD	Architectural Black™	Brushed Nickel	Brushed Onyx PVD®	Brushed OR'osa PVD®	Gunmetal
							
Gunmetal Distressed	Matte Black	Olive Bronze	Onyx PVD®	Polished Brass PVD	Polished Chrome	Polished Nickel	OR'osa PVD®
							
Steelnox® (Satin Nickel)	Architectural White						

# G-8077

M-Series

Stop/Volume Control Rough Valve



## Product Features

- 3/4" universal inlets/outlets with female threads
- 18.1 gpm @ 60 psi
- Stacking inlet and outlet feature
- Supplied with protective plastic cover
- CalGreen compliant dependent on functions

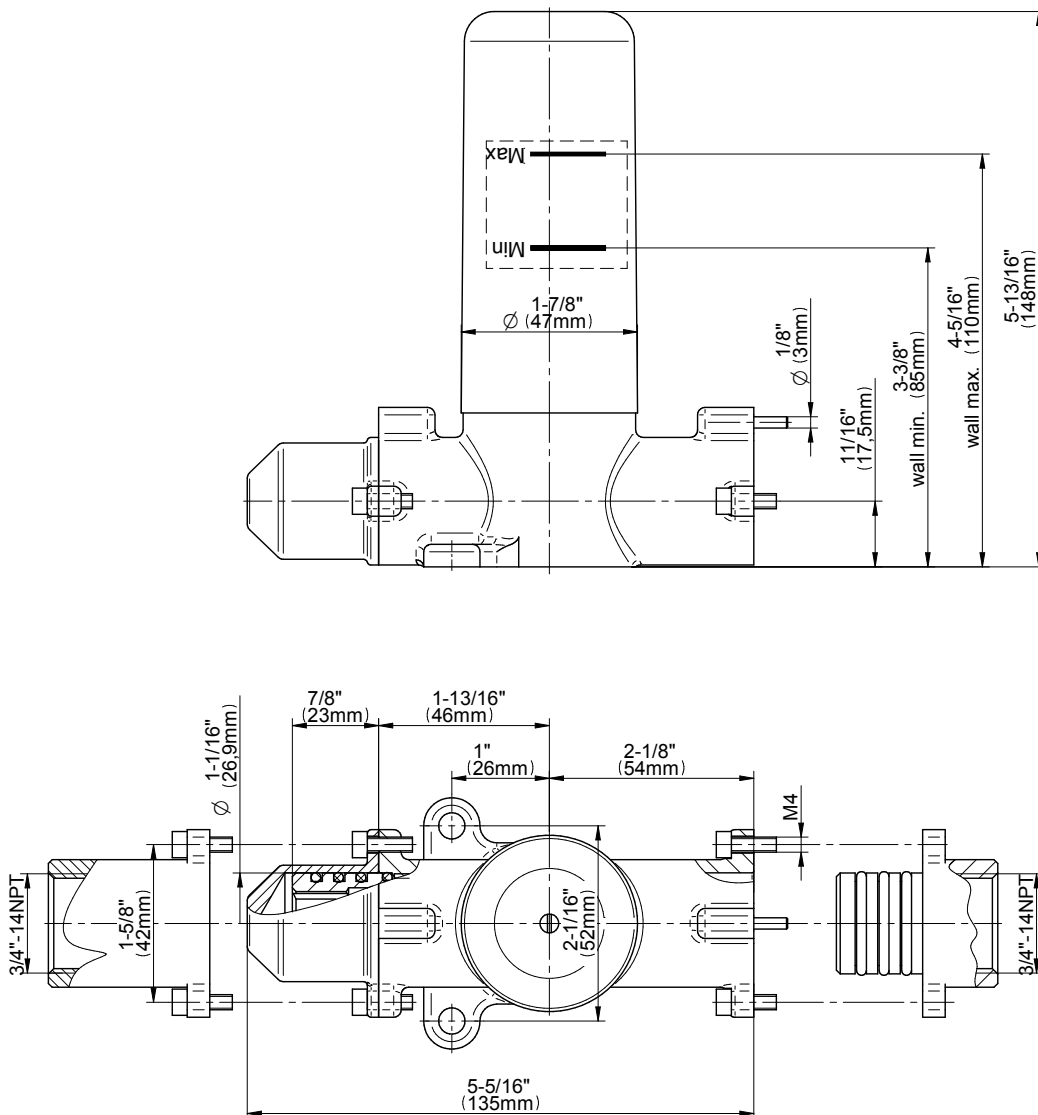
## Code Compliance

- CALGreen

## Warranty

- Limited lifetime warranty

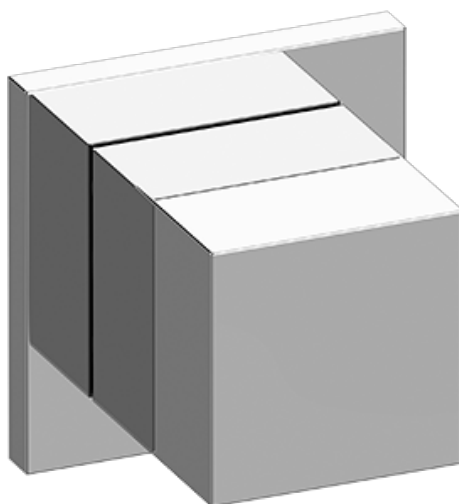
For complete warranty information go to [www.graff-faucets.com/en/info/faqs](http://www.graff-faucets.com/en/info/faqs)



The measurements shown are for reference only. Products and specifications shown are subject to change without notice. Revised 3/2016.

[www.graff-faucets.com](http://www.graff-faucets.com) | phone: 800-954-4723

SHOWER  
M-Series Square Stop/Volume  
Control Trim Plate and Handle  
**G-8098-SH1-T**



**Information**

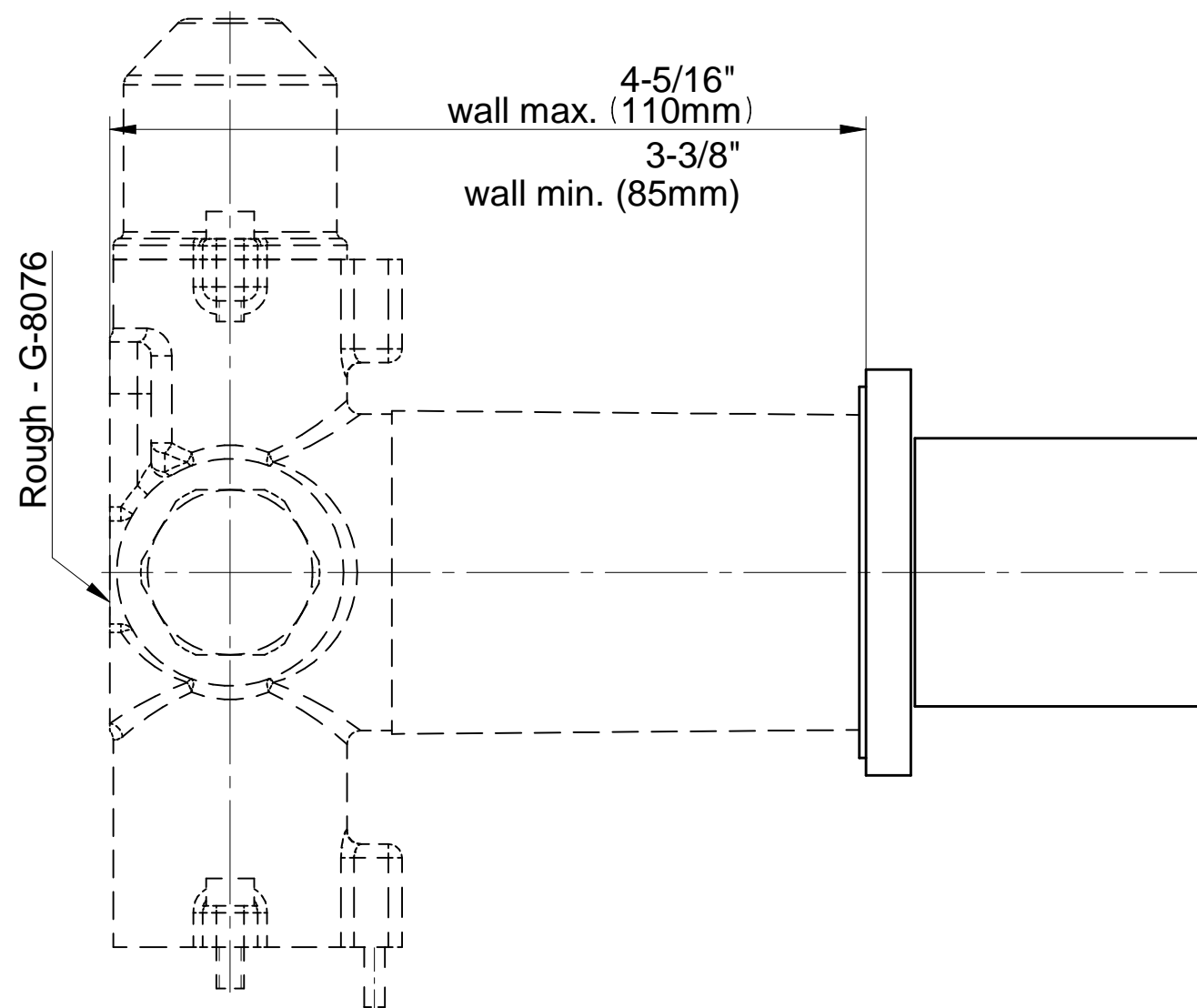
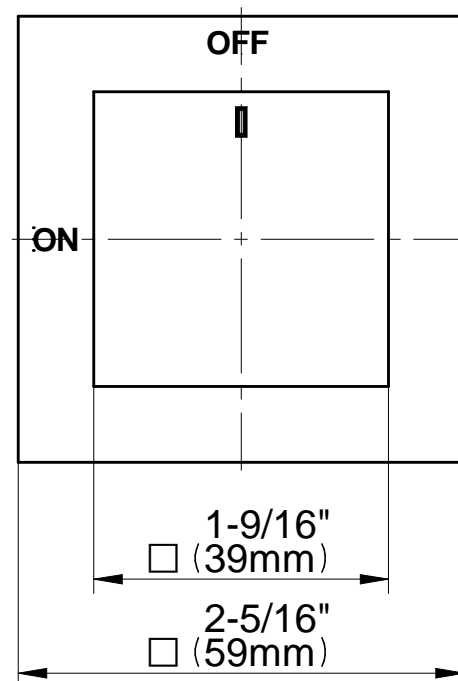
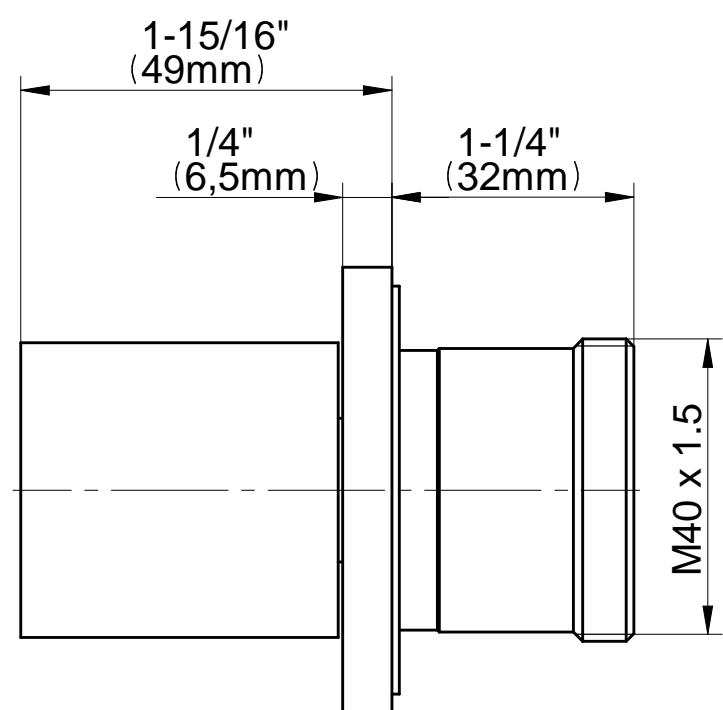
- Single metal handle
- Decorative trim plate
- Use with G-8076 Stop/Volume Control rough valve with Pass-Through or G-8077 Stop/Volume Control rough valve
- To complete package, you must order rough valve

**Finishes**



# G-8098-SH1-T

## Stop/Volume Control Valve - Trim - M-Series



**GRAFF**<sup>®</sup>  
CUTTING EDGE DESIGN



SHOWER  
8" Square Brass Showerhead  
**G-8438**

**GRAFF®**



**Information**

- 1/4" thick
- 144 no-clog, easy-clean rubber spray nozzles
- Recommended use with ceiling shower arm
- Recommended for use at no more than 10 degrees tilt
- Showerhead flow rate ≤ 1.8 max gpm
- CALGreen

**Finishes**



# G-8438

Aqua-Sense Collection  
Contemporary 8" Square Showerhead



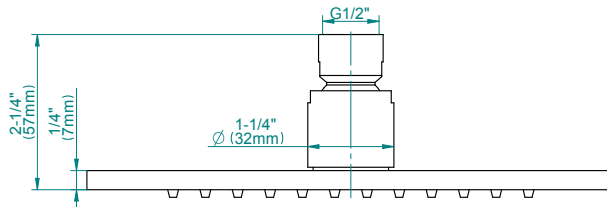
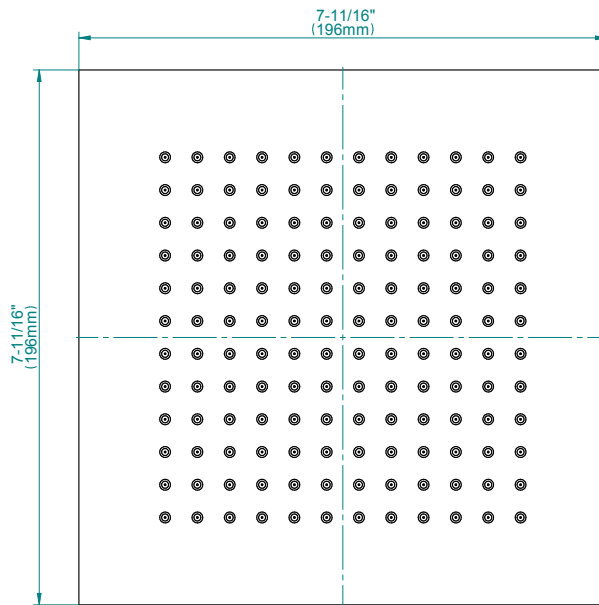
## Product Features

- 1/4" thick
- 144 no-clog, easy-clean rubber spray nozzles
- Showerhead flow rate  $\leq 1.8$  max gpm

## Available Finishes

- Polished Chrome  
G-8438-PC
- Brushed Nickel  
G-8438-PN
- Polished Nickel  
G-8438-BNi
- Unfinished Brass\*  
G-8438-UB\*
- Steinox  
G-8438-SN
- Olive Brass\*  
G-8438-OB\*
- Architectural Black with Chrome Accents\*  
G-8438-PC/BK\*
- Gold\*  
G-8438-AU\*
- Brushed Gold\*  
G-8438-BAU

\* Special order finish- call for availability



## Code Compliance

- CALGreen

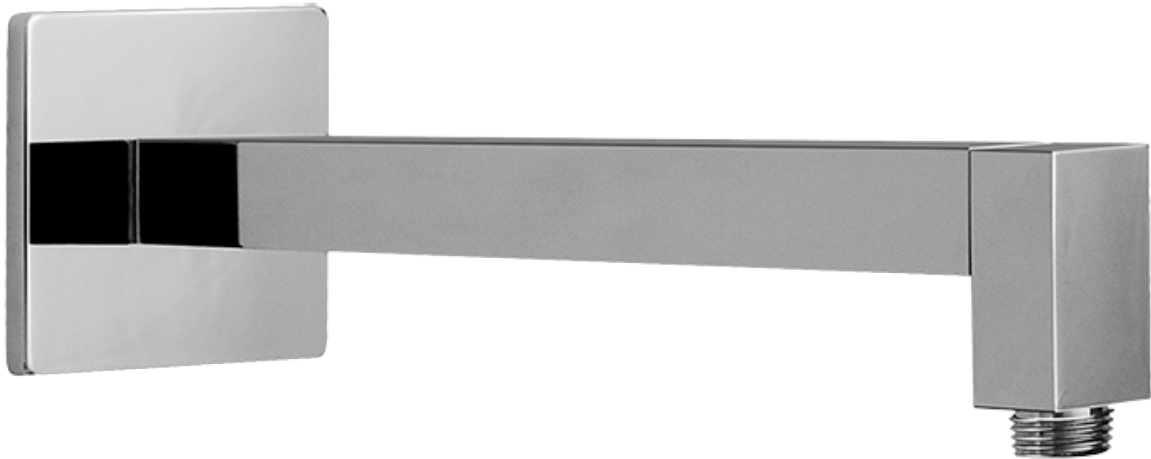
## Warranty

- Limited lifetime warranty

For complete warranty information go to [www.graff-designs.com/en-nam/warranty](http://www.graff-designs.com/en-nam/warranty)

SHOWER  
Contemporary 12" Shower Arm  
**G-8530**

**GRAFF®**



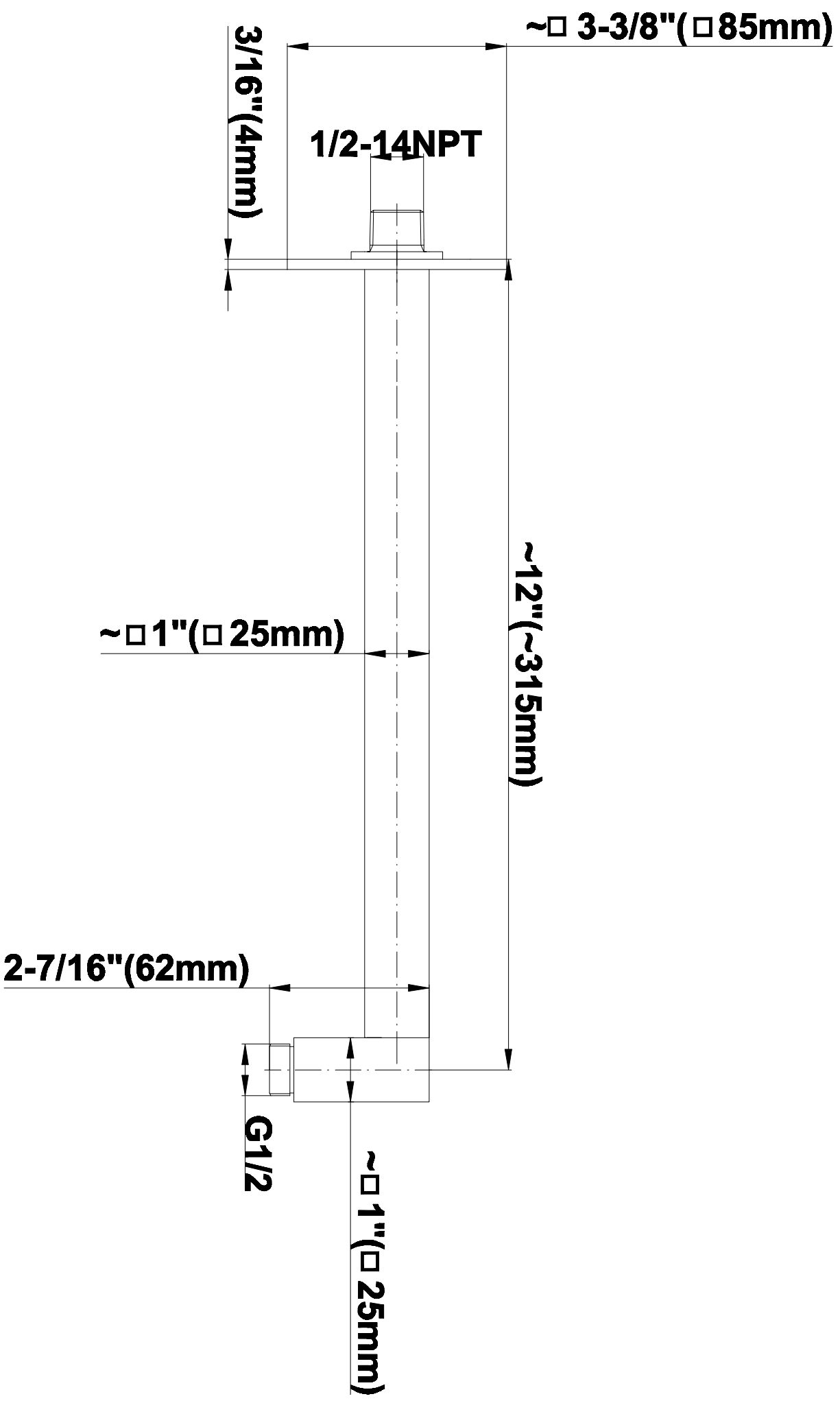
**Information**

- Includes arm and square flange
- 1/2" NPT male thread inlet
- For use with all showerheads (especially G-8438)

**Finishes**

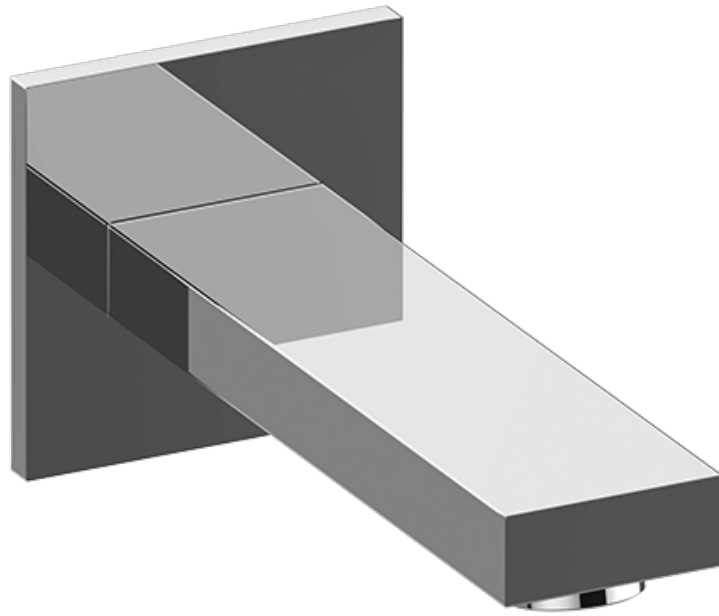


# G-8530



SHOWER  
8" Contemporary Tub Spout  
**G-8575**

**GRAFF®**



**Information**

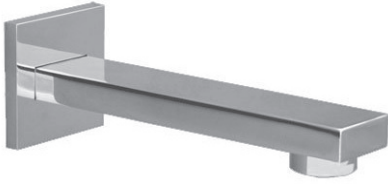
- Includes spout ring
- 1/2" NPT male thread inlet
- Tub spout flow rate ~ 8.7 gpm @60 psi

**Finishes**



# G-8575

Sade Collection  
8" Contemporary Tub Spout



## Product Features

- Includes spout ring
- 1/2" NPT male thread inlet

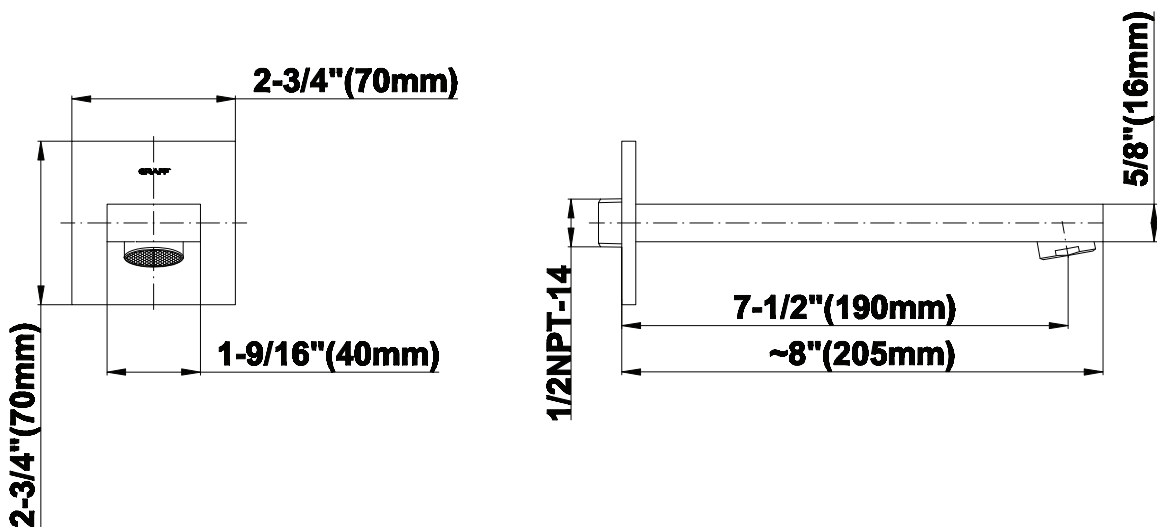
## Available Finishes

- Polished Chrome  
G-8575-PC
- Polished Nickel  
G-8575-PN
- Steelnox<sup>®</sup> (Satin Nickel)  
G-8575-SN
- Olive Bronze<sup>™</sup>  
G-8575-OB
- Architectural Black with  
Chrome Accents  
G-8575-PC/BK

## Warranty

- Limited lifetime warranty

For complete warranty information go to  
[www.graff-faucets.com/en-nam/warranty](http://www.graff-faucets.com/en-nam/warranty)



The measurements shown are for reference only. Products and specifications shown are subject to change without notice. Revised 08/2015.

[www.graff-faucets.com](http://www.graff-faucets.com) | phone: 800-954-4723

SHOWER  
Traditional Handshower  
**G-8604**

**GRAFF®**



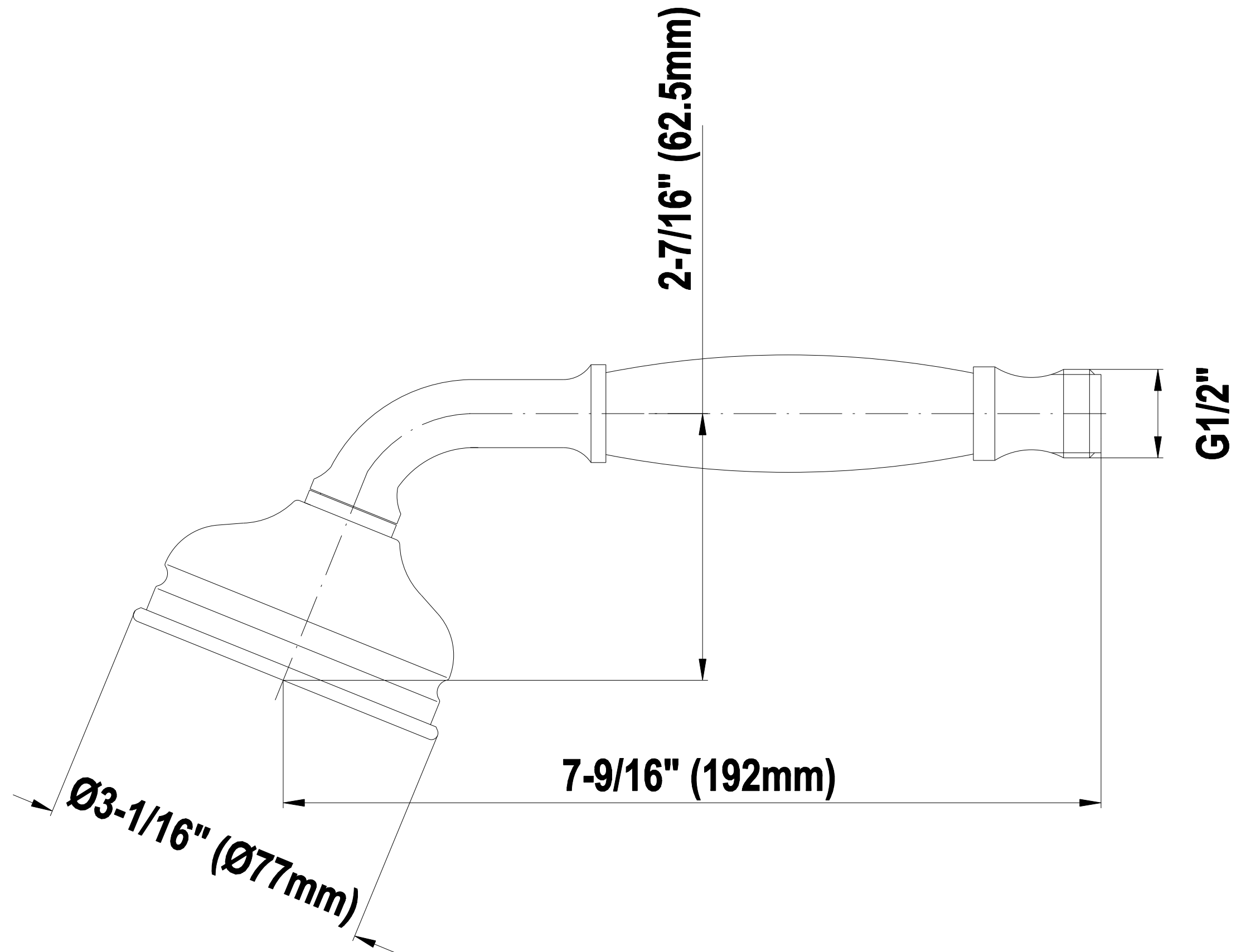
**Information**

- Solid brass construction
- Smooth, all-metal handle
- Shower hose not included
- Handshower flow rate  $\leq 1.5$  max gpm
- CALGreen

**Finishes**



# Traditional Handshower G-8604





SHOWER  
Contemporary Square Wall-  
Mounted Slide Bar  
**G-8631**

**GRAFF®**



**Information**

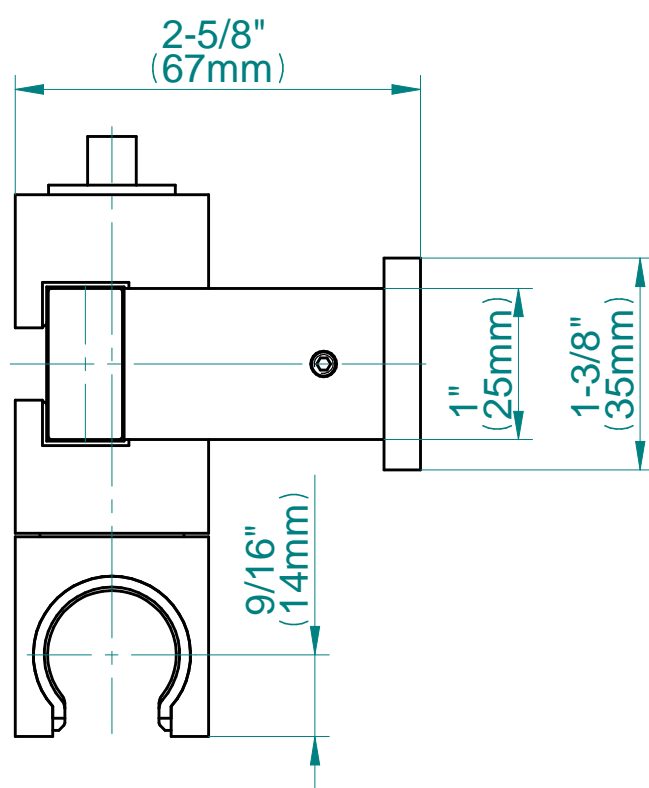
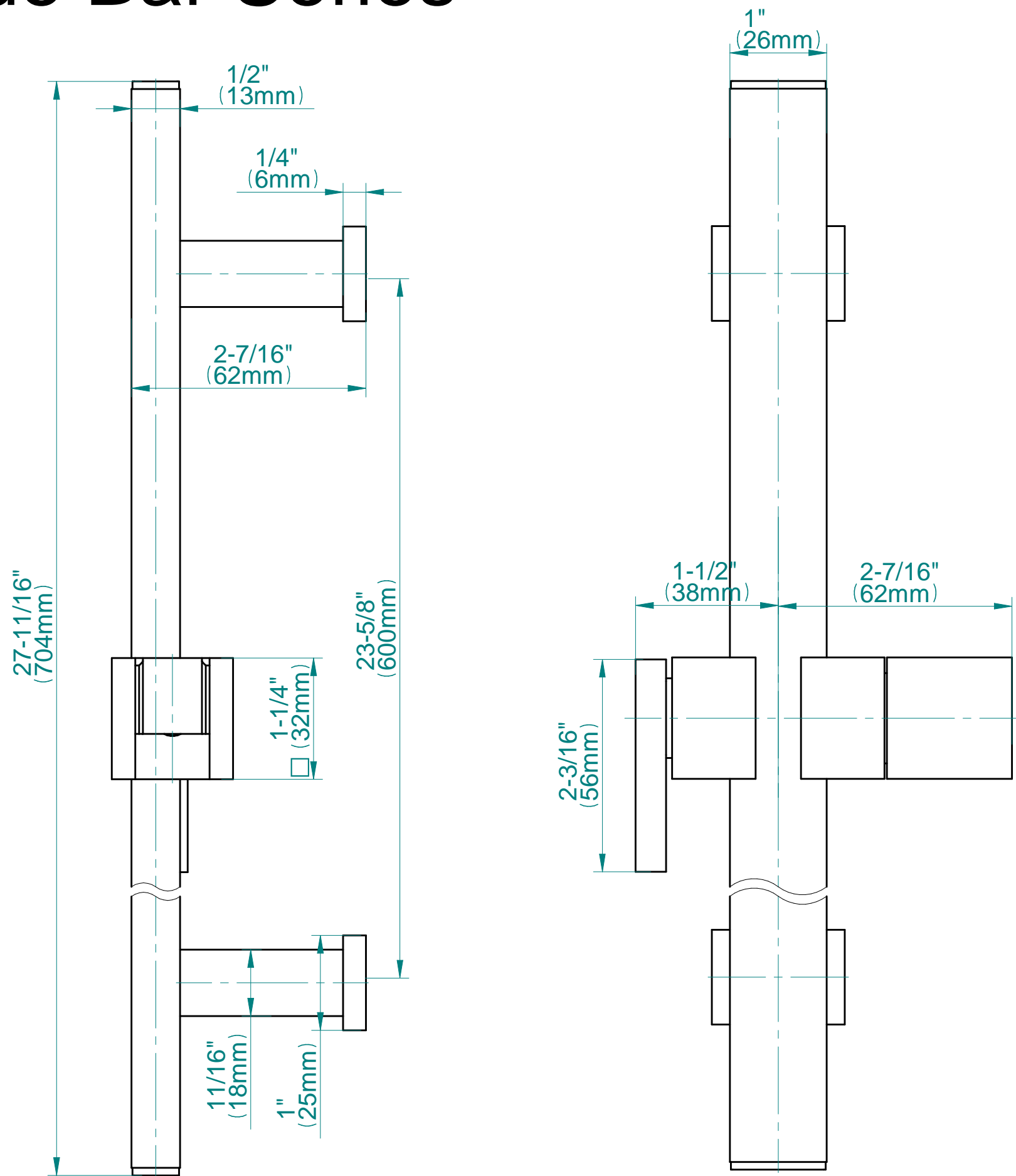
- 27 11/16" tall wall-mounted slide bar
- Adjustable bracket fits all hoses with conical nut

**Finishes**



# G-8631

## Slide Bar Series



valid since 2014

SHOWER  
Contemporary Square Wall Supply  
Elbow  
**G-8633**

**GRAFF®**



**Information**

- 1/2" NPT female thread inlet

**Finishes**



## G-8633

### Contemporary Square Wall Supply Elbow



#### Product Features

- 1/2" NPT female thread inlet

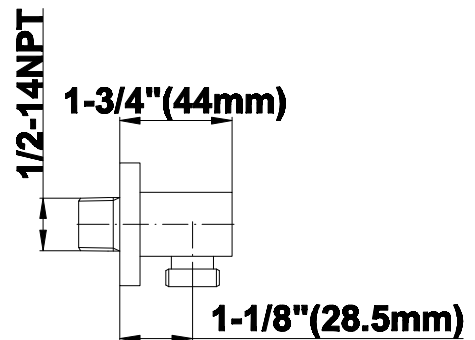
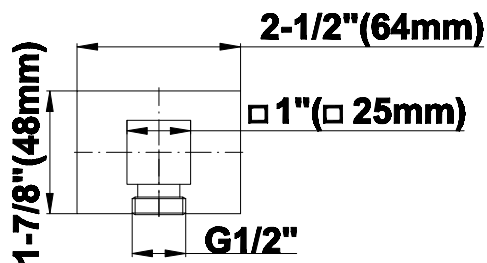
#### Available Finishes

- Polished Chrome  
G-8633-PC
- Steelnox<sup>®</sup>  
G-8633-SN
- Architectural Black w/Chrome  
Accents  
G-8633-PC/BK

#### Warranty

- Limited lifetime warranty

For complete warranty information go to  
<http://www.graff-faucets.com/en/info/faqs>



SHOWER  
Contemporary Square  
Handshower  
**G-8644**

**GRAFF®**



**Information**

- Solid brass construction
- Smooth, all-metal handle
- Shower hose not included
- Handshower flow rate  $\leq 1.5$  max gpm
- CALGreen

**Finishes**



# G-8644

