

SHOWER  
 Contemporary 5" Shower Arm  
**G-8521**



**Information**

- Includes arm and solid round flange
- 1/2" NPT male thread inlet

**Finishes**

							
24K Gold	24K Brushed Gold	Brushed Brass PVD	Architectural Black™	Brushed Nickel	Brushed Onyx PVD®	Brushed OR'osa PVD®	Gunmetal
							
Gunmetal Distressed	Matte Black	Olive Bronze	Onyx PVD®	Polished Brass PVD	Polished Chrome	Polished Nickel	OR'osa PVD®
							
Steelnox® (Satin Nickel)	Unfinished Brass	Unfinished Brushed Brass	Vintage Brushed Brass	Architectural White			

# G-8521

## Contemporary 5" Shower Arm



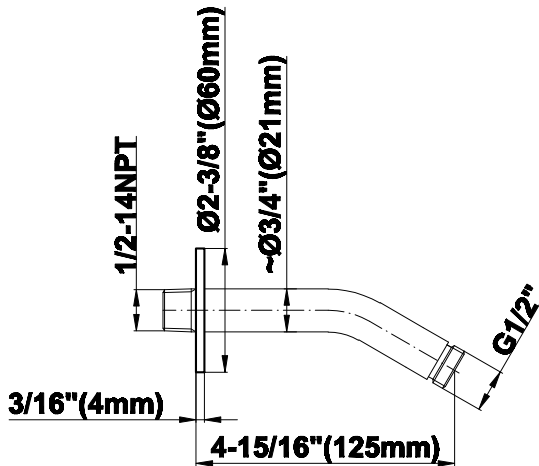
### Product Features

- Includes arm and solid round flange
- 1/2" NPT male thread inlet

### Available Finishes

- Polished Chrome  
G-8521-PC
- Brushed Nickel  
G-8521-BNi
- Polished Nickel  
G-8521-PN
- Unfinished Brass\*  
G-8521-UB\*
- Olive Bronze\*  
G-8521-OB\*
- Unfinished Brass\*  
G-8521-UB\*
- Steelnox  
G-8521-SN
- Architectual Black\*  
G-8521-BK\*
- Architectual White\*  
G-8521-WT\*
- Brushed Gold\*  
G-8521-BAU\*

\* Special order finish- call for availability



### Warranty

- Limited lifetime warranty

For complete warranty information go to <https://www.graff-faucets.com/en/info/faqs>