

SHOWER  
5" Elegant Showerhead with  
Shower Arm  
**G-8391**

---

**GRAFF**<sup>®</sup>



**Information**

- 5" showerhead with 40 spray openings
- Metal ball-joint allows for easy showerhead angle adjustment
- Includes arm and flange
- Showerhead flow rate  $\leq 1.8$  max gpm
- CALGreen

SHOWER  
5" Elegant Showerhead  
**G-8440**

**GRAFF®**



**Information**

- Original, unique shape
- 40 spray openings
- Metal ball-joint allows for showerhead angle adjustment
- Showerhead flow rate ≤ 1.8 max gpm
- CALGreen

**Finishes**



# G-8440

## 5" Elegant Showerhead



### Product Features

- Original, unique shape, 40 spray openings
- Metal ball-joint allows for showerhead angle adjustment
- Showerhead flow rate  $\leq 1.8$  max gpm

### Code Compliance

- CALGreen

### Warranty

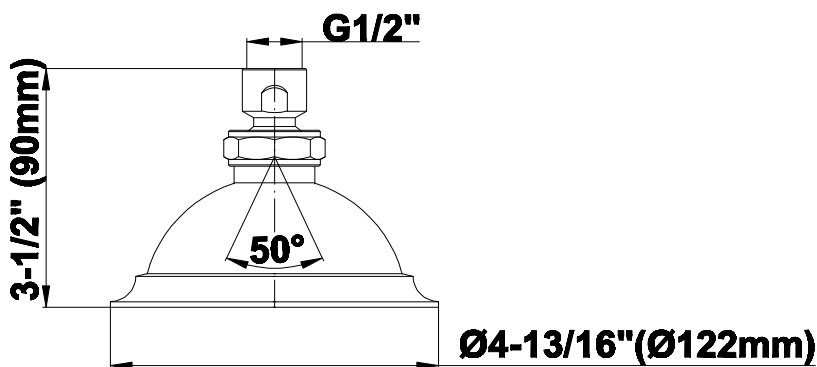
- Limited lifetime warranty

For complete warranty information go to [www.graff-designs.com/en-nam/warranty](http://www.graff-designs.com/en-nam/warranty)

### Available Finishes

- Polished Chrome  
G-8440-PC
- Polished Nickel  
G-8440-PN
- Brushed Nickel  
G-8440-BNi
- Unfinished Brushed Brass\*  
G-8440-UBB\*
- Unfinished Brass\*  
G-8440-UB\*
- Matte Black\*  
G-8440-MBK\*
- Architectural Black\*  
G-8440-BK\*
- Architectural White\*  
G-8440-WT\*
- Steelnnox  
G-8440-SN
- Olive Brass  
G-8440-OB
- Gunmetal\*  
G-8440-GM\*
- Vintage Brushed Brass\*  
G-8440-VBB\*
- OR'osa PVD\*  
G-8440-RG\*
- Onyx PVD\*  
G-8440-OX\*
- Polished Brass PVD\*  
G-8440-PB\*
- Brushed Brass PVD\*  
G-8440-BB\*
- Brushed Gold\*  
G-8440-BAU\*
- Gold\*  
G-8440-AU\*
- Gunmetal Distressed\*  
G-8440-GMD\*

\* Special order finish- call for availability



SHOWER  
 Transitional 5" Shower Arm  
**G-8518**



**Information**

- Includes arm and flange
- 1/2" NPT male thread inlet

**Finishes**



# G-8518

## Camden Series

