

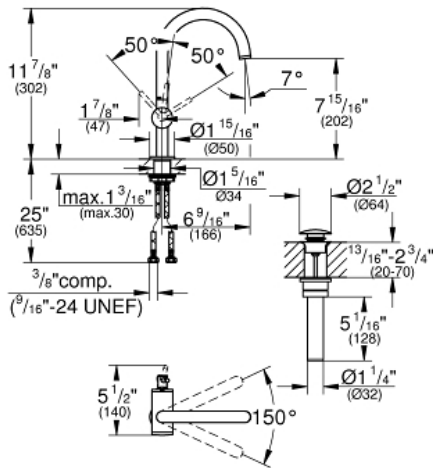
# ATRIO Single-Handle Bathroom Faucet L- Size

MODEL # 23828003

GROHE CANADA, INC. | 5900 Avebury Road, Mississauga, Ontario, Canada L5R 3M3  
Phone: 905-271-2929 | Fax: 905-271-9494 | info@grohe.ca

Pure Freude  
an Wasser

GROHE



### Product Description:

ATRIO

Single-Handle Bathroom Faucet L-Size

### Standard Specification:

- Single hole installation
- GROHE SilkMove 1.1" (28 mm) ceramic cartridge
- GROHE StarLight chrome finish
- Quick installation system
- Stop limiter
- Push-open 1 1/4" (32mm) waste set
- Stainless steel flex lines
- Flow rate: 4.5 L/min (1.2 gpm)

### Applicable Codes & Standards:

- Energy Policy Act of 1992
- NSF 61
- ASME A112.18.1/CSA B125.1
- US Federal and State material regulations
- EPA WaterSense®
- ICC/ANSI A117.1

### Color:

- 23828003 StarLight Chrome