

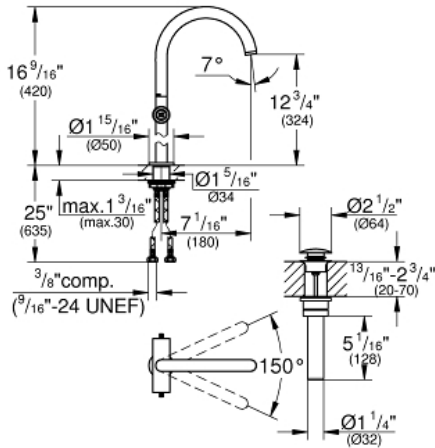
ATRIO
Single-Hole Single-Handle
Bathroom Faucet XL-Size

MODEL # 21046003

GROHE CANADA, INC. | 5900 Avebury Road, Mississauga, Ontario, Canada L5R 3M3
Phone: 905-271-2929 | Fax: 905-271-9494 | info@grohe.ca

Pure Freude
an Wasser

GROHE



Product Description:

ATRIO

Single-Hole Single-Handle Bathroom Faucet XL-Size

Standard Specification:

- GROHE StarLight chrome finish
- GROHE SilkMove ceramic cartridge
- Swivel tubular spout with mousseur and stop limiter
- 1/2" (13mm) ceramic cartridge (90° turn)
- Push-open 1 1/4" (32mm) waste set
- **For free-standing basins**
- Less handles – order 18 026 or 18 027 (sold separately)
- Flow rate: 4.5 L/min (1.2 gpm)

Applicable Codes & Standards:

- Energy Policy Act of 1992
- NSF 61
- ASME A112.18.1/CSA B125.1
- US Federal and State material regulations
- EPA WaterSense®

Color:

- 21046003 StarLight Chrome