

# GEBERIT INSTALLATION SYSTEM

## 0.5 GPF (1.9 LPF) Wall-Hung Urinals

### SPECIFICATIONS

In-Wall Duofix concealed carrier system with actuator flush panel for residential 2-hole wall-hung urinals. System shall fit within 3" (75 mm) framing wall or plumbing chase. Framing members should provide support similar to 2" x 6" (51 mm x 152 mm) wood construction or steel framing members placed 19 3/4" (500 mm) apart. Water supply shall have flow diameter no smaller than 1/2" (13 mm) copper tube, and a minimum flow pressure of 15 PSI (0.10 MPa). The urinal shall be a third party listed maximum 0.5 GPF (1.9 LPF) 2-hole wall-hung type. The carrier frame shall be

adjustable. Actuator flush panels shall be die-cast zinc, molded plastic or fabricated stainless steel and plated to preserve material integrity. All components shall be compliant with applicable codes and product standards.

### FEATURES

- Water consumption - 0.5 GPF (1.9 LPF)
- 16-gauge, powder-coated, structural-steel tubing rated to 110 lbs (50 kg) without damage to finished wall or carrier unit
- 44 1/16" (1119 mm) frame height depending on urinal
- Installation hardware included

Complies with the latest editions of:

- ASME: A112.6.2
- ASSE 1037
- CSA B125.3

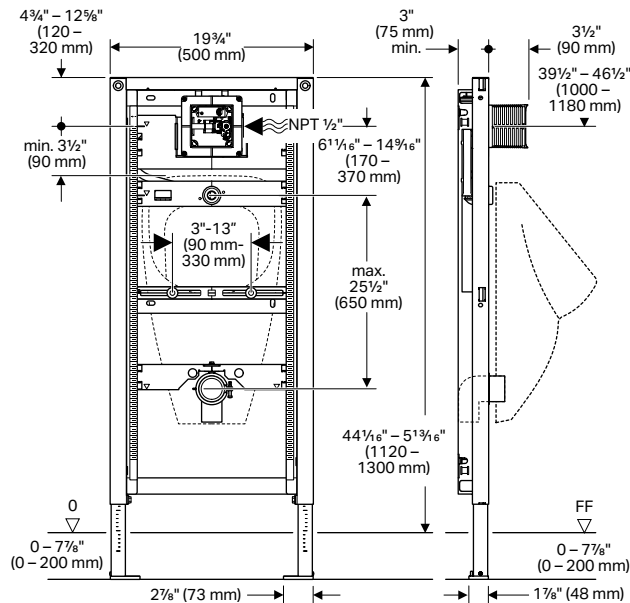
### WARRANTY

Limited lifetime warranty on flush valve and carrier. One-year warranty on actuator flush plates.

#### NOTES;

1. Carrier for 2-hole "Euro" style wall-hung urinal fixtures only
2. ASSE 1001 Certified Atmospheric Vacuum Breaker included.
3. Refer to **geberit.us** for latest list of code-approved compatible urinal fixtures

Model No.	Description
111.625.00.1	Carrier frame with rough-in box



Products marked with comply with the American Disabilities Act (ADA) when installed per the requirements of the latest ADA Accessibility Guidelines (ADAAG) and/or ICC/ANSI A117.1.



Geberit  
2100 S. Clearwater Drive  
Des Plaines, IL 60018  
USA

P 847-803-7777  
F 847-803-5454

www.geberit.us

ARCHITECT/ENGINEER APPROVAL	
Job Name:	_____
Date:	Quantity: _____
Model Specified:	_____
Variations Specified:	_____
Customer/Wholesaler:	_____
Contractor:	_____
Architect:	_____