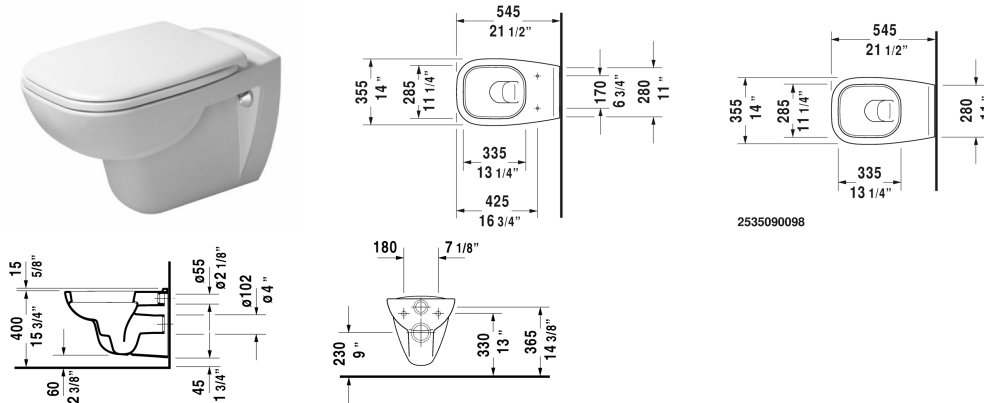


D-Code Toilet wall-mounted ♿ # 253509..922

| < 14" Inch > |



Toilet wall-mounted	Dimension	Weight	Order number
washdown model, cUPC® listed*			
Colors			
00 White 20 HygieneGlaze (an antibacterial ceramic glaze that provides almost indefinite effectiveness)			
Variant			
♣ 1.6/0.8 gpf	14" x 21 1/2" Inch	44.1 lb	253509..922
Infobox			
* Complies with following standards: ASME A112.19.2/CSA B45.1 and ASME A112.19.14, In-wall tank & carrier and actuator plate required for installation / Refer to page XXX, Wall-mounted toilet is ADA compliant, when installed with a seat height of 17" - 19" from the finished floor			
Sigma 01 flush plate, dual flush for toilets, White	9 5/8" x 6 1/2" Inch		115770
Geberit carrier for toilets	19 3/4" x 3 1/8" Inch	37.5 lb	111798
Geberit in-wall tank and carrier for toilets, width 19 3/4", depth 5 1/2", height (adjustable) 43" - 47"	19 3/4" x 5 1/2" Inch	40.8 lb	111335
Noise reduction gasket for wall-mounted toilet		0.7 lb	005020
Suitable products			
Toilet seat and cover hinges plastic, with slow close,			006739

All drawings contain the necessary measurements which are subject to standard tolerances. They are stated in inch & mm and are non-binding. Exact measurements, in particular for customized installation scenarios, can only be taken from the finished ceramic piece.