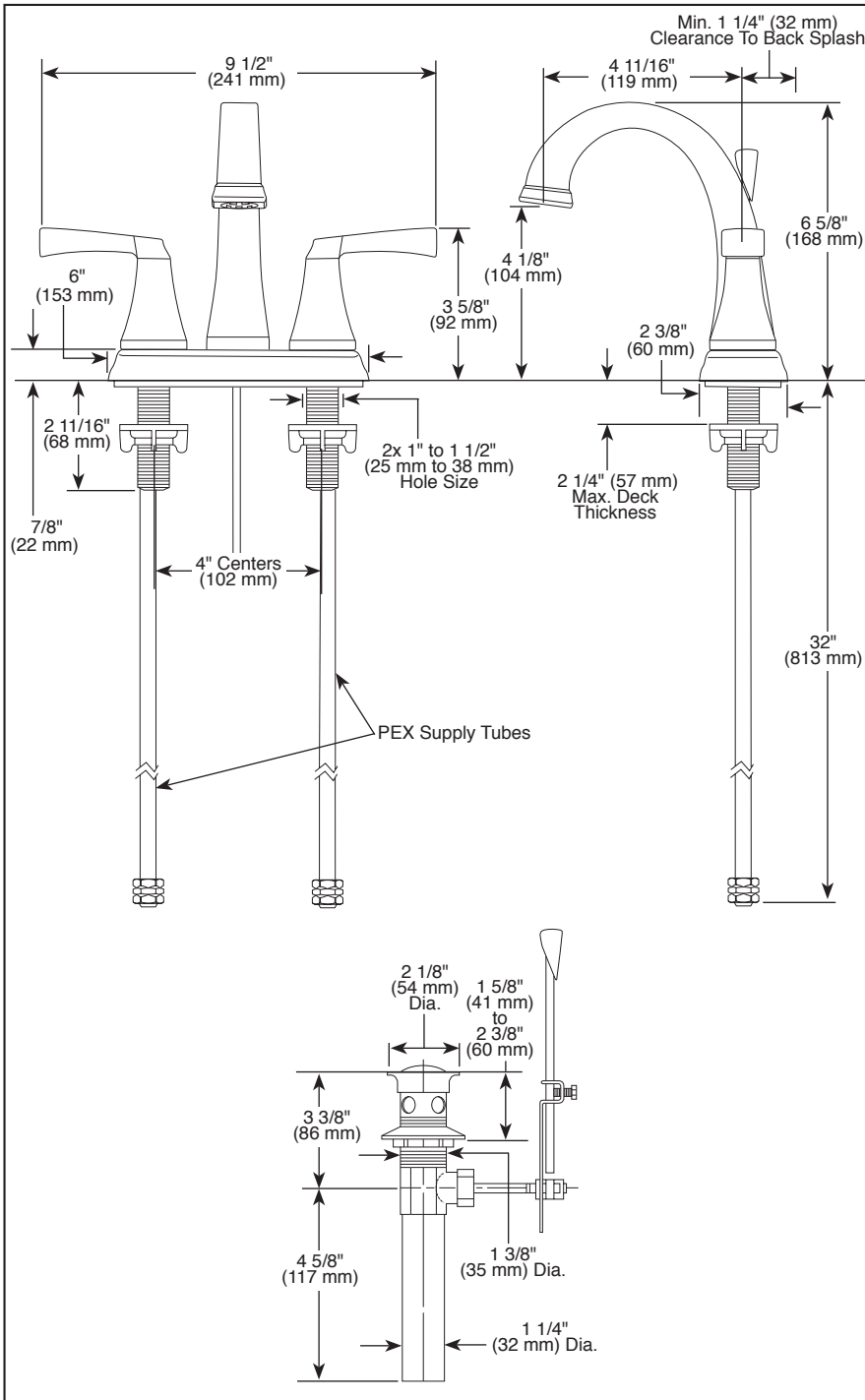


2551-▲MPU-DST



Submitted Model No.: _____

Specific Features: _____



▲ Designate Proper Finish Suffix

Delta reserves the right (1) to make changes in specifications and materials, and (2) to change or discontinue models, both without notice or obligation. Dimensions are for reference only. See current full-line price book or www.deltafaucet.com for finish options and product availability.

DSP-L-2551-MPU-DST Rev. D



LAVATORY FAUCETS

- Dryden™ Bath Collection
- Two Handle Deck Mount

FEATURES:

- Touch₂O_{xt}® Technology
- DIAMOND Seal® Technology

STANDARD SPECIFICATIONS:

- Max. 1.20 gpm @ 60 psi, 4.54 L/min @ 414 kPa
- Three hole mount
- 1/4 turn handle stops
- Diamond coated ceramic cartridge
- Hot and cold stems are interchangeable.
- 3/8" O.D. straight PEX supply tubes
- Models have metal drain with pop-up type fitting with plated flange and stopper

WARRANTY

- Lifetime limited warranty on parts (other than electronic parts and batteries) and finishes: or, for commercial users, for 5 years from the date of purchase.
- 5 year limited warranty on electronic parts (other than batteries); or, for commercial users, for 1 year from the date of purchase. No warranty is provided on batteries.



COMPLIES WITH:

- ASME A112.18.1 / CSA B125.1
- ASME A112.18.2 / CSA B125.2



- Indicates compliance to ICC/ANSI A117.1
- EPA WaterSense®
- Verified compliant with 0.25% weighted average Pb content regulations.



55 E. 111th Street, Indianapolis, Indiana 46280
350 South Edgeware Road, St. Thomas, Ontario Canada N5P 4L1
© 2016 Masco Corporation of Indiana