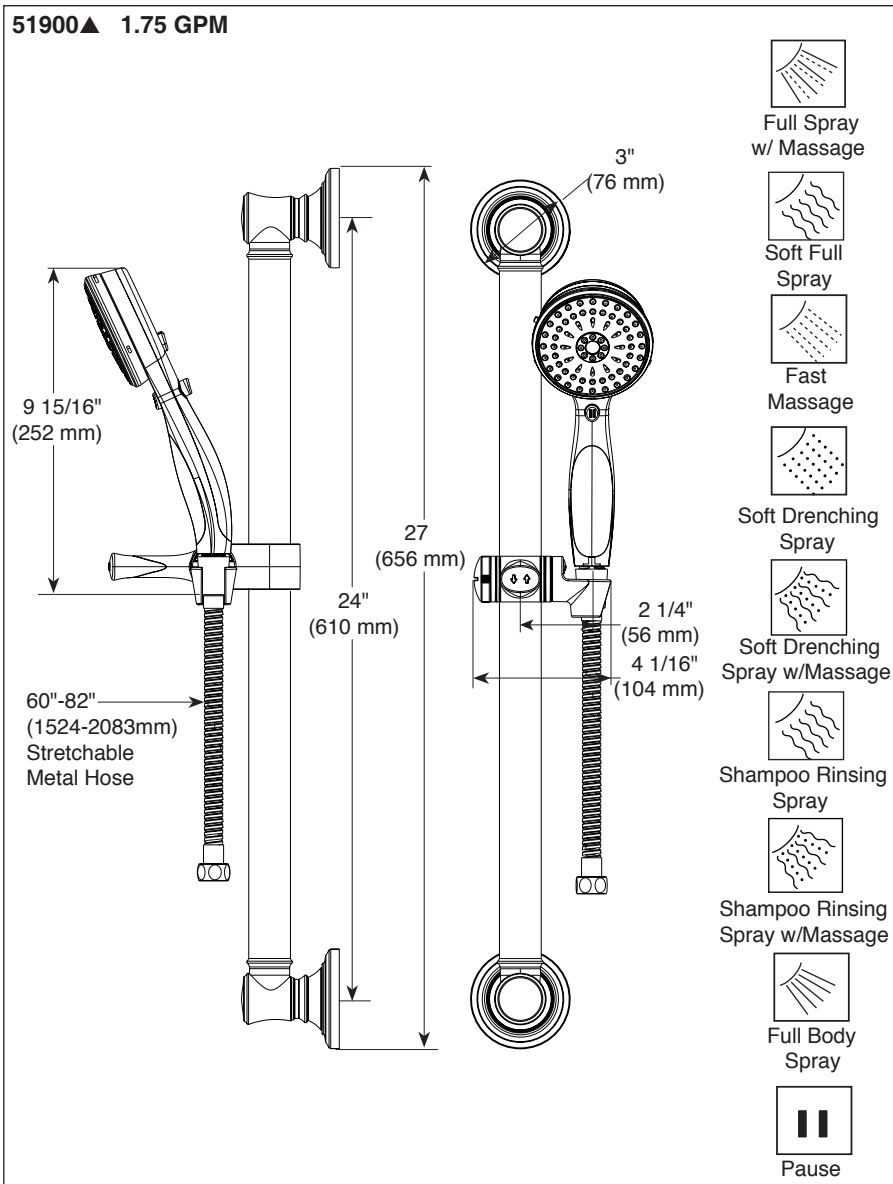


Submitted Model No.: _____
 Specific Features: _____



▲ Designate proper finish suffix

Delta reserves the right (1) to make changes in specifications and materials, and (2) to change or discontinue models, both without notice or obligation. Dimensions are for reference only. See current full-line price book or www.deltafaucet.com for finish options and product availability.

DSP-B-51900 Rev. E



see what Delta can do™

SLIDE BAR / GRAB BAR HAND HELD SHOWERS

- 9-Spray Settings ActivTouch™ Handshower
- Push Button Selection

FEATURES:

- Touch-Clean® Nozzles

STANDARD SPECIFICATIONS:

- Maximum 1.75 gpm @ 80 psi, 6.6L/min @ 550 kPa
- 60"-82" Stretchable metal hose
- Simple one-handed control
- Dual check valves for backflow prevention
- 3 buttons create 9 unique sprays
- Pause button operates from front or back
- Soft touch non-slip grip
- 24" Traditional slide bar / grab bar
- Hand held shower with nine spray setting - pause is a non-positive shut-off
- ADA compliant adjustable mount, hand shower and hose
- ADA compliant grab bar when installed per accessibility guidelines of the act

WARRANTY

- Lifetime limited warranty on parts (other than electronic parts and batteries) and finishes; or for commercial users, for 5 years from the date of purchase.
- 5 year limited warranty on electronic parts (other than batteries); or for commercial users, for 1 year from the date of purchase. No warranty is provided on batteries.



COMPLIES WITH

- ASME A112.18.1/CSA B125.1
- EPA WaterSense®



Indicates compliance to ICC / ANSI A117.1

Delta Faucet Company

55 E. 111th Street, Indianapolis, IN 46280
 350 South Edgeware Road, St. Thomas, ON N5P 4L1
 © 2017 Delta Faucet Company