

**AXOR Uno**  
**4-hole rim mounted bath mixer with zero handles 1.8 GPM**  
Surfaces: **Chrome** Article Number: **45448001**



## Description

### product features

- projection 152 mm
- connection type: basic set
- flow rate at 3 bar: 22 l/min
- flow rate of hand shower at 3 bar: 6.6 l/min
- ceramic valves hot/ cold 90°
- with automatic resetting
- non-return valve
- suitable for continuous flow water heaters
- CEC/California/Watersaving
- cUPC/IAPMO/3016/Tap+shower/1,75pm
- DOE/FTC
- WaterSense/IAPMO/7286/Showers
- MASS/Massachusetts
- TECQ/Texas Registered

## Technology



## Product image

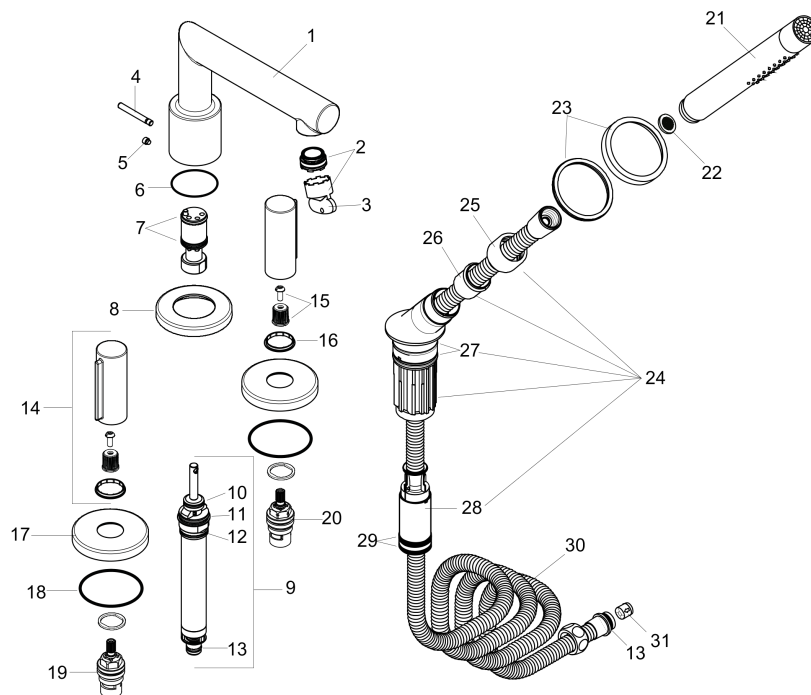


**AXOR Uno**  
**4-hole rim mounted bath mixer with zero handles 1.8 GPM**  
Surfaces: **Chrome** Article Number: **45448001**



## Exploded Drawing

Year of production: >07/18



**AXOR Uno**  
**4-hole rim mounted bath mixer with zero handles 1.8 GPM**  
 Surfaces: **Chrome** Article Number: **45448001**



## Spare part list

Year of production: >07/18

Pos.	Description	Article Number	PC	PU
1	spout cpl.	93065000	0	1
2	aerator M24x1 (30 l/min)	98998000	0	1
3	special tool	95158000	0	1
4	diverter knob	96774000	0	1
5	hollow set screw M6x6	97660000	0	1
6	O-ring 42x1,5	98171000	0	1
7	O-ring 21x1,5	98219000	0	1
8	escutcheon Ø 70 mm	97779000	0	1
9	selector assy	96775000	0	1
10	O-Ring 14x2,5	98189000	0	1
11	O-Ring 23x2,5	98183000	0	1
12	O-Ring 22x2	98185000	0	1
13	O-ring 11x2	98127000	0	1
14	handle	93066000	0	1
15	handle fixing set	98932000	0	1
16	set of color-rings cold / hot water	96319000	0	1
17	escutcheon	31098000	0	1
18	O-ring 58x3	98202000	0	1
19	shut off unit right closing	94009000	0	1
20	shut off unit left closing	94008000	0	1
21	handshower	04486000	0	1
22	filter packing	94246000	0	1
23	escutcheon for shower holder	95753000	0	1
24	shower holder, assy	95996000	0	1
25	nut	97584000	0	1
26	insert for shower holder	96942000	0	1
27	O-ring 38x2,5	98198000	0	1
28	hose brake	98656000	0	1
29	O-Ring 28x2	98194000	0	1
30	shower hose 2,00 m	94148000	0	1
31	set of non return valves DW 15	94074000	0	1