

AXOR Uno

Single lever basin mixer 110 with zero handle with pop-up waste set

Surfaces: **Chrome** Article Number: **45001001**



Description

product features

- ComfortZone 110
- projection 123 mm
- laminar spray
- flow rate at 3 bar: 4.5 l/min
- ceramic cartridge
- temperature limitation adjustable
- suitable for continuous flow water heaters
- pop-up waste set G 1
- connection type: G 3/8 connections
- CEC/California/Watersaving
- cUPC/IAPMO/3016/Lavs/1,2gpm
- DOE/FTC
- WaterSense/IAPMO/5921/Lavs
- MASS/Massachusetts
- NSF372(LL)/Iapmo/6738-(No NSF Logo!)
- NSF61/IAPMO/N3016-(No NSF Logo!)
- TECQ/Texas Registered

Technology



Product image

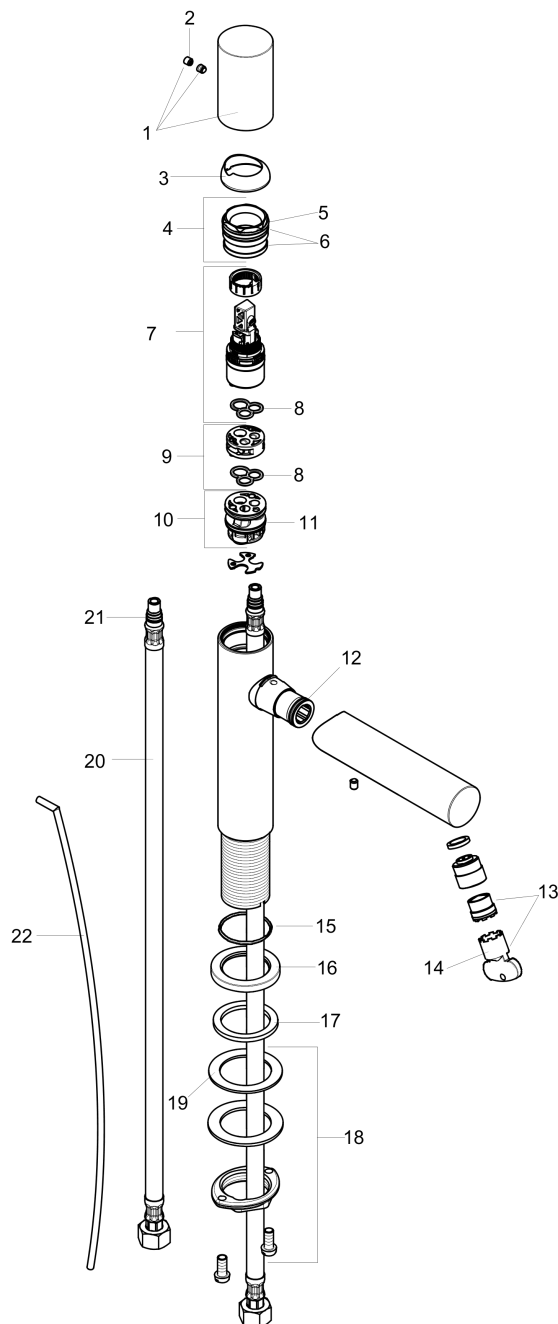


AXOR Uno
Single lever basin mixer 110 with zero handle with pop-up waste set
Surfaces: **Chrome** Article Number: **45001001**



Exploded Drawing

Year of production: >07/18



AXOR Uno
Single lever basin mixer 110 with zero handle with pop-up waste set
 Surfaces: **Chrome** Article Number: **45001001**



Spare part list

Year of production: >07/18

Pos.	Description	Article Number	PC	PU
1	handle	92887000	0	1
2	screw cover	95181000	0	1
3	flange	93116000	0	1
4	nut	92689000	0	1
5	O-ring 25x1,5	98146000	0	1
6	O-ring 27x1,5	92527000	0	1
7	cartridge, assy	95973001	0	1
8	seal	98865000	0	1
9	adapter for cartridge	92628000	0	1
10	adapter for cartridge	98866000	0	1
11	O-ring 23x2	98398000	0	1
12	O-ring 16x2	98133000	0	1
13	aerator laminar M16,5x1 (4,5 l/min)	92876000	0	1
14	special tool	98987000	0	1
15	O-ring 30x1,5	98433000	0	1
16	escutcheon Ø 46 mm	95268000	0	1
17	flat seal	98749000	0	1
18	fixing set (Ø 32)	13961000	0	1
19	lever collar	97548000	0	1
20	connection hose 23½" M8x0,75 3/8"	98600001	0	1
21	O-ring 7x1,5	98422000	0	1
22	pull rod	97158000	0	1
a	pop up waste	88509000	0	1