

**AXOR Showers/Front**  
**Showerpipe 240 2-Jet, 2.5 GPM**  
 Finishes : **chrome** Part no. : **26020001**



### Description

#### Features

- consists of: Showerhead, Handshower, Thermostatic shower mixer, Handshower hose, Slider
- Flow: 2.5 GPM (9.5 L/Min)
- Outlets may be operated simultaneously
- Height adjustable by 11 inches
- Shower outlet flow: 2.5 GPM (9.5 L/Min)
- Shower arm swivels left and right
- Anti-scald 100° safety stop
- Integrated volume controls
- Exposed installation
- Thermostatic cartridge

### Item details

List Price \$ 3,759.00

### Technology



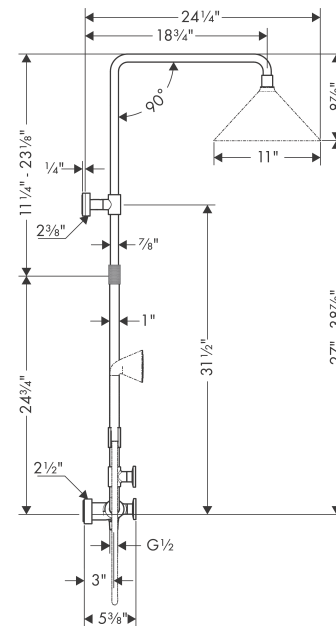
### Compliance



### Product image



### Scale drawing

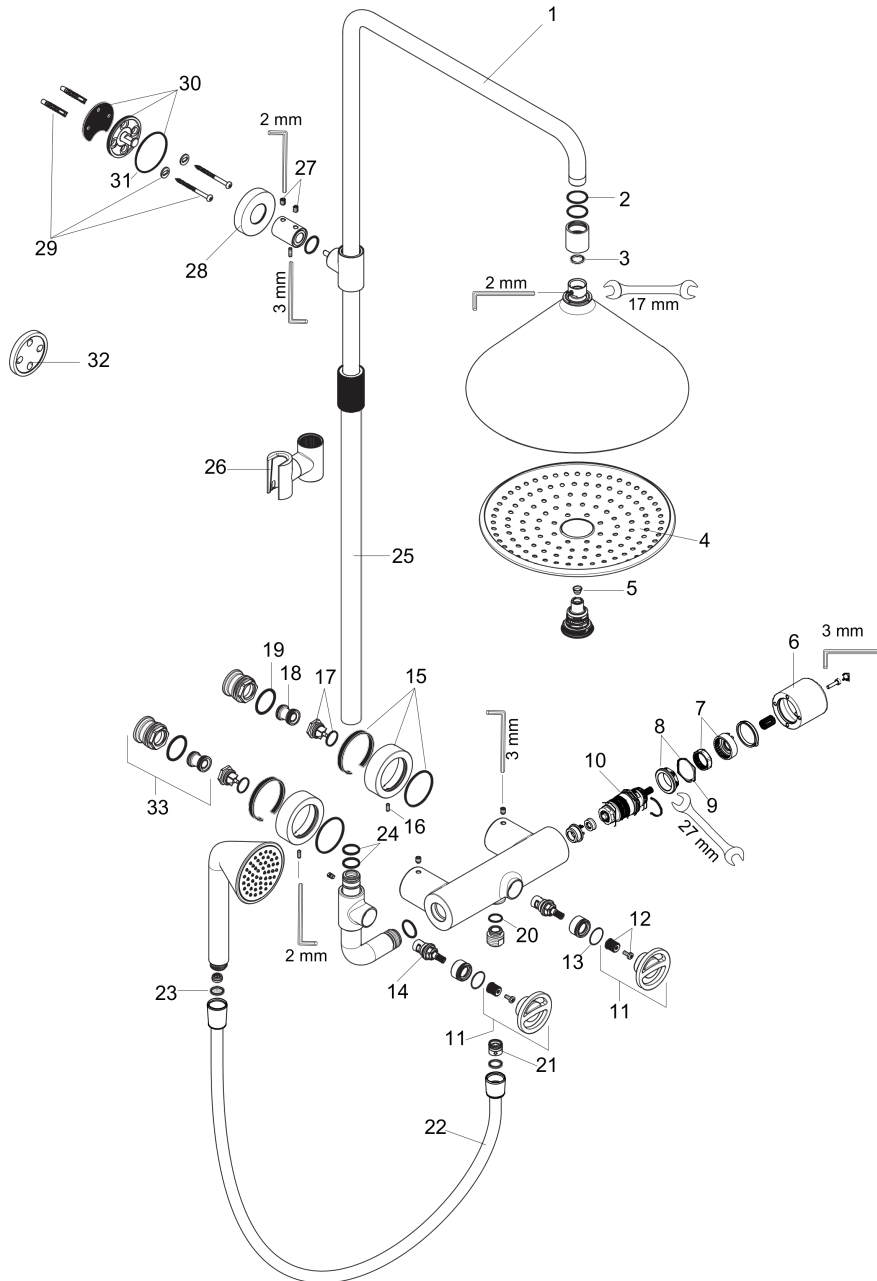


**AXOR Showers/Front**  
**Showerpipe 240 2-Jet, 2.5 GPM**  
 Finishes : **chrome** Part no. : **26020001**



Exploded drawing

Year of production: >03/14



**AXOR Showers/Front**  
**Showerpipe 240 2-Jet, 2.5 GPM**  
 Finishes : **chrome** Part no. : **26020001**



## Spare parts list

Year of production: >03/14

Pos.	Description	Part no.	Price	PU
1	shower arm	92242000	-	1
2	O-Ring 21x3	98182000	-	1
3	seal	98058000	-	1
4	spray body	92192000	-	1
5	filter	97735000	-	1
6	handle for thermostat	92231000	-	1
7	safety set	92232000	-	1
8	nut	98913000	-	1
9	O-ring 26x1,5	98390000	-	1
10	thermostat cartridge	98282001	-	1
11	handle for shut off unit	92233001	-	1
12	handle fixing set	98932000	-	1
13	O-ring 21x1,5	98219000	-	1
14	shut off unit right closing	98817000	-	1
15	escutcheon Ø 65 mm	92228000	-	1
16	hollow set screw M4x10	97667000	-	1
17	non return valve (pressure-resistant up to 2 MPa)	95773000	-	1
18	noise reduction	96429000	-	1
19	O-ring 29x3	98371000	-	1
20	O-ring 14x2	98129000	-	1
21	non return valve	97980000	-	1
22	shower hose 1,60 m	28276003	-	1
23	filter packing	94246000	-	1
24	O-ring 17x2,5	98387000	-	1
25	pipe	92243000	-	1
26	support, assy	95480000	-	1
27	hollow set screw M6x8	97810000	-	1
28	escutcheon Ø 60 mm	92229000	-	1
29	mounting set	96179000	-	1
30	wall flange	95688000	-	1
31	O-Ring 50x2	98187000	-	1
32	tile-matching-disk	95239000	-	1
33	set of S-unions	95772001	-	1
a	base body	16181181	-	1
b	Grease	90920000	-	1