

AXOR Starck
Prep Kitchen Faucet 2-Spray Pull-Down, 1.75 GPM
 Finishes : **steel optic** Part no. : **10824801**



Description

Features

- Swivel range 150°
- Laminar and needle spray
- Toggle spray diverter
- MagFit magnetic sprayhead docking
- Single-hole installation
- Flow: 1.75 GPM (6.6 L/Min)
- Joystick ceramic cartridge
- 3/8" connections
- Integrated double backflow prevention

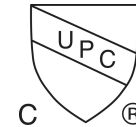
Item details

List Price \$ 1,088.00

Technology



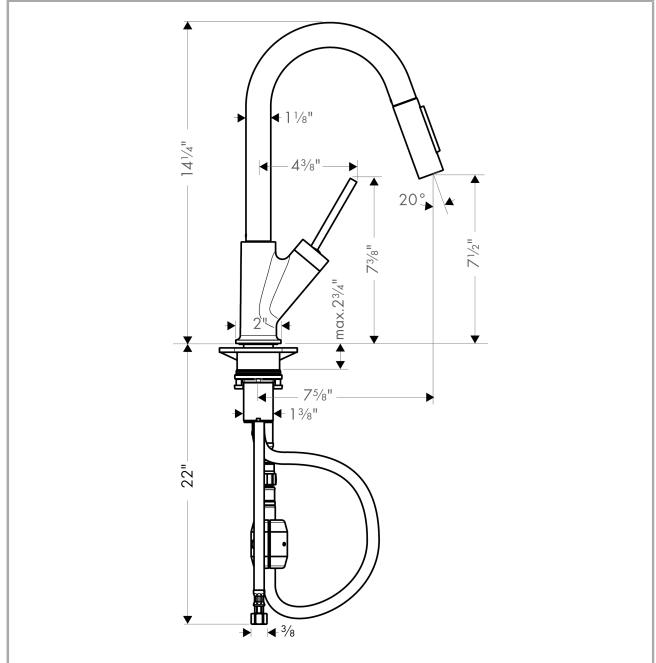
Compliance



Product image



Scale drawing

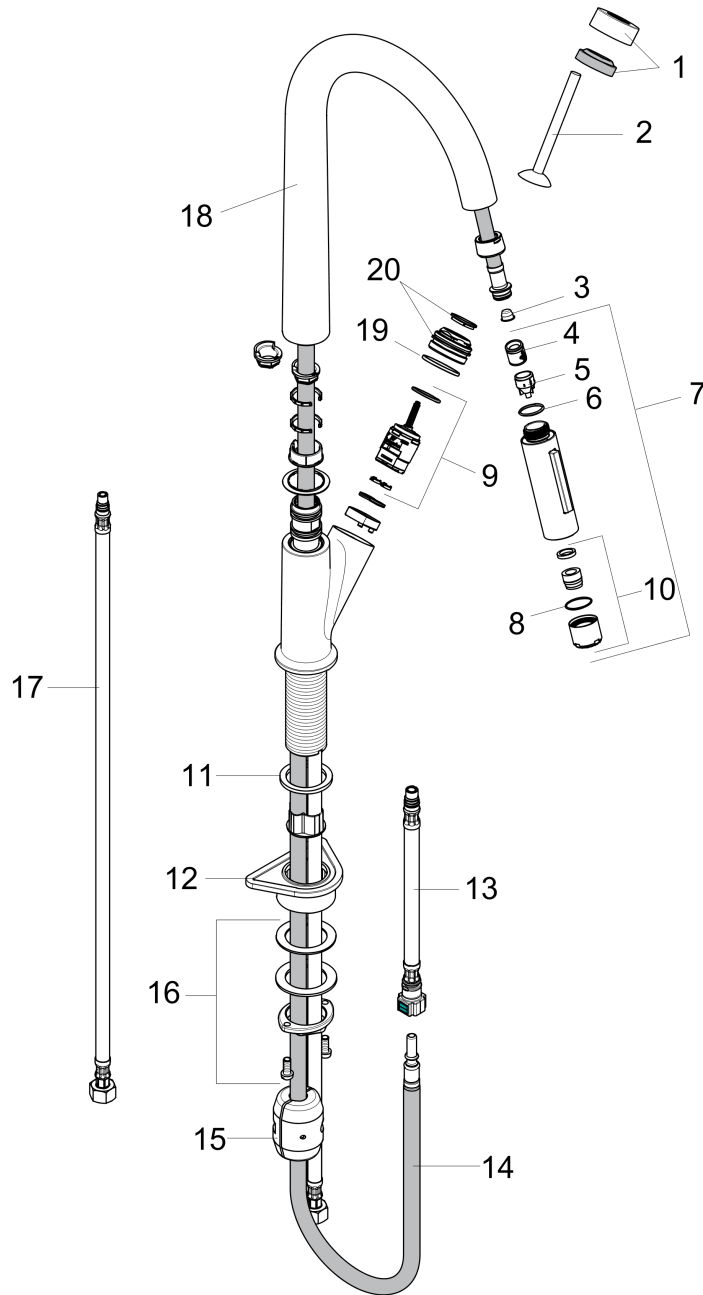


AXOR Starck
Prep Kitchen Faucet 2-Spray Pull-Down, 1.75 GPM
 Finishes : **steel optic** Part no. : **10824801**



Exploded drawing

Year of production: >11/15



AXOR Starck
Prep Kitchen Faucet 2-Spray Pull-Down, 1.75 GPM
 Finishes : **steel optic** Part no. : **10824801**



Spare parts list

Year of production: >11/15

Pos.	Description	Part no.	Price	PU
1	flange	97155800	-	1
2	handle	95893800	-	1
3	filter	97735000	-	1
4	non return valve	93218000	-	1
5	set of non return valves DW 15	97350000	-	1
6	O-ring 18x1,5	98231000	-	1
7	handspray	95908801	-	1
8	O-ring 20x1	98140000	-	1
9	cartridge, assy	96339000	-	1
10	aerator laminar M22x1 (15 l/min)	95909000	-	1
11	flat seal	98749000	-	1
12	support	97523000	-	1
13	connection hose 600 mm M10x1	95561000	-	1
14	hose 1,50 m	88624000	-	1
15	weight	92500000	-	1
16	fixing set (Ø 34)	95049000	-	1
17	connection hose 35½" M8x0,75 3/8"	96316001	-	1
18	spout cpl.	95907800	-	1
19	O-Ring 30x2	98186000	-	1
20	nut	97157000	-	1
a	Grease	90920000	-	1