

**K**



**Kraken**

*Cast Iron Bathtub*



## Kraken (White)

Product #: 48042

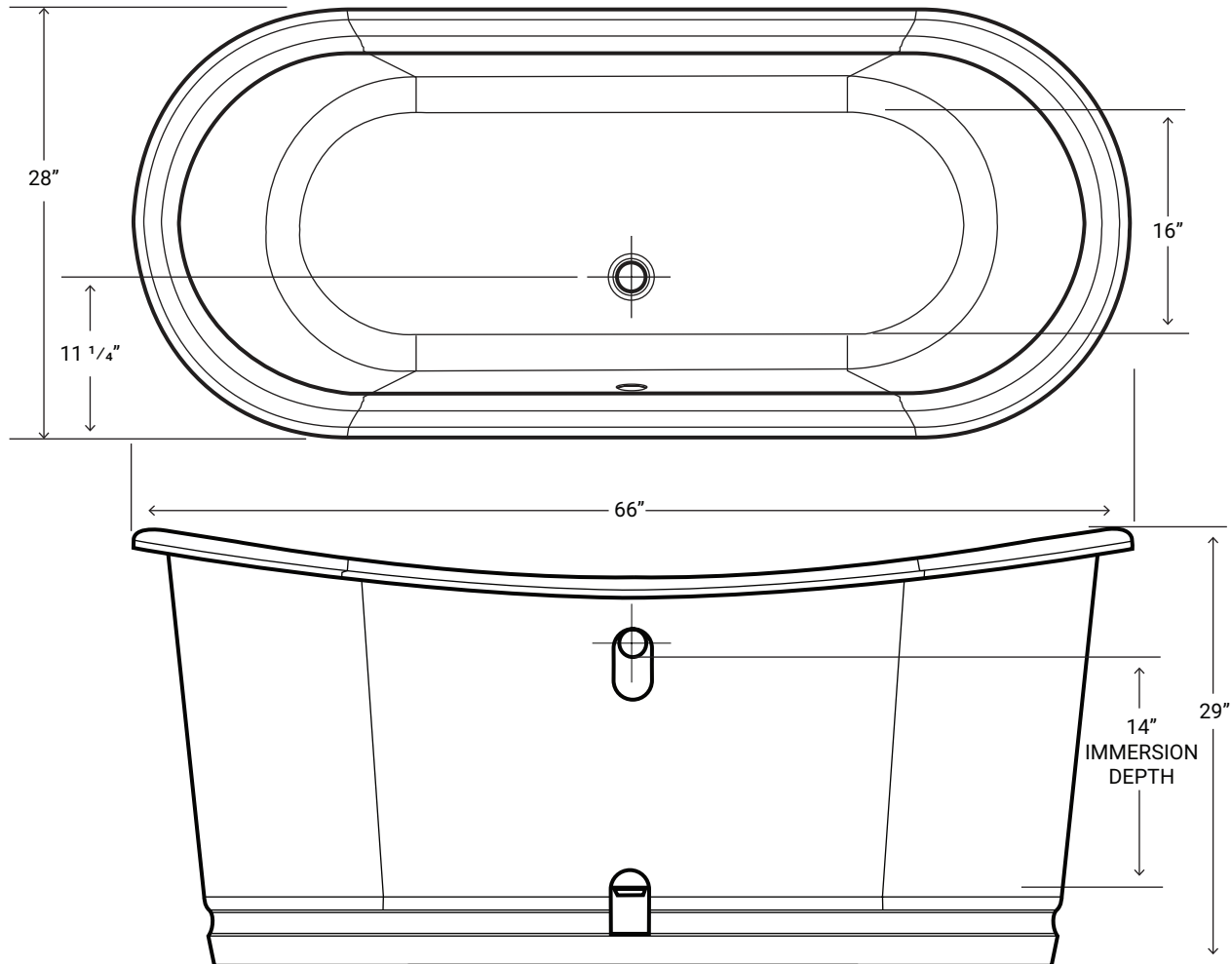
66" x 28" x 29"

### Design Features

- Cast Iron
- Oval interior
- Gently sloping backrests
- Interior: White, porcelain enamel fired finish
- Exterior: Hand finished white paint

### Product Specification

- Water Capacity ~ 50 US Gallons
- Weight: 463 lbs
- Immersion Depth: 14"
- 1 year limited manufacturer's warranty
- Faucets & overflow sold separately
- Certified to:  
ASME A112.19.1  
CSA B45.2-2013



*\*All measurements are + 1/4"*

*\*Drawings are not to scale*

**Acritec Industries Corp.**

27049 Gloucester Way, Langley, B.C. V4W 3Y3

Tel : 604.607.0856 | Fax : 604.607.0857 | info@acritec.com | www.acritec.com

*In keeping with our policy of continuing product improvement, Acritec Industries Corp. reserves the right to change product specifications without notice.*



## Kraken (Mirror Finish)

Product #: 48042-08

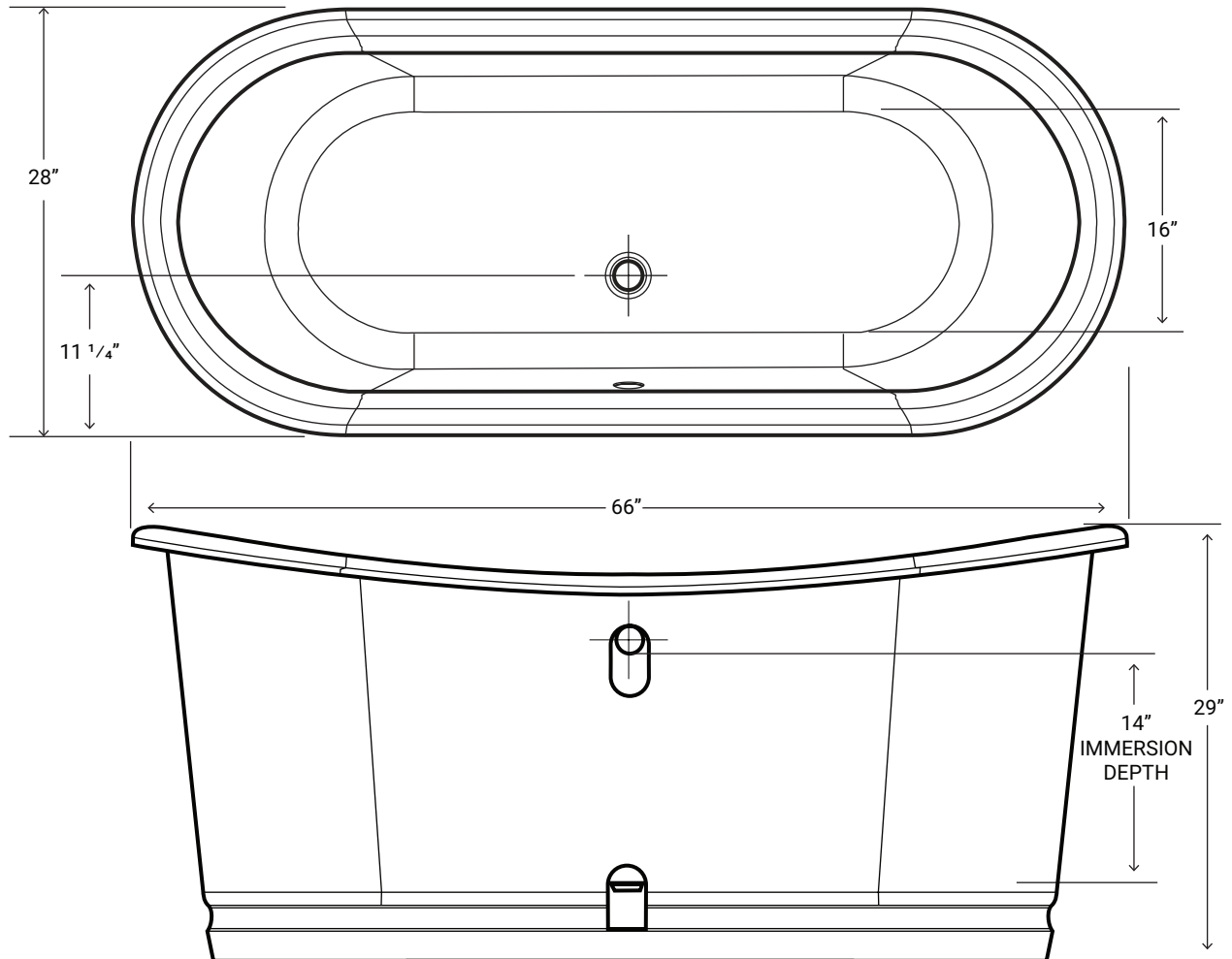
66" x 28" x 29"

### Design Features

- Cast Iron
- Oval interior
- Gently sloping backrests
- Interior: White, porcelain enamel fired finish
- Exterior: Mirror Finish

### Product Specification

- Water Capacity ~ 50 US Gallons
- Weight: 463 lbs
- Immersion Depth: 14"
- 1 year limited manufacturer's warranty
- Faucets & overflow sold separately
- Certified to:  
ASME A112.19.1  
CSA B45.2-2013



*\*All measurements are + 1/4"*

*\*Drawings are not to scale*

**Acritec Industries Corp.**

27049 Gloucester Way, Langley, B.C. V4W 3Y3

Tel : 604.607.0856 | Fax : 604.607.0857 | info@acritec.com | www.acritec.com

*In keeping with our policy of continuing product improvement, Acritec Industries Corp. reserves the right to change product specifications without notice.*