

ACRITEC

SHOWER BASES, SINGLE THRESHOLD,
LOW PROFILE

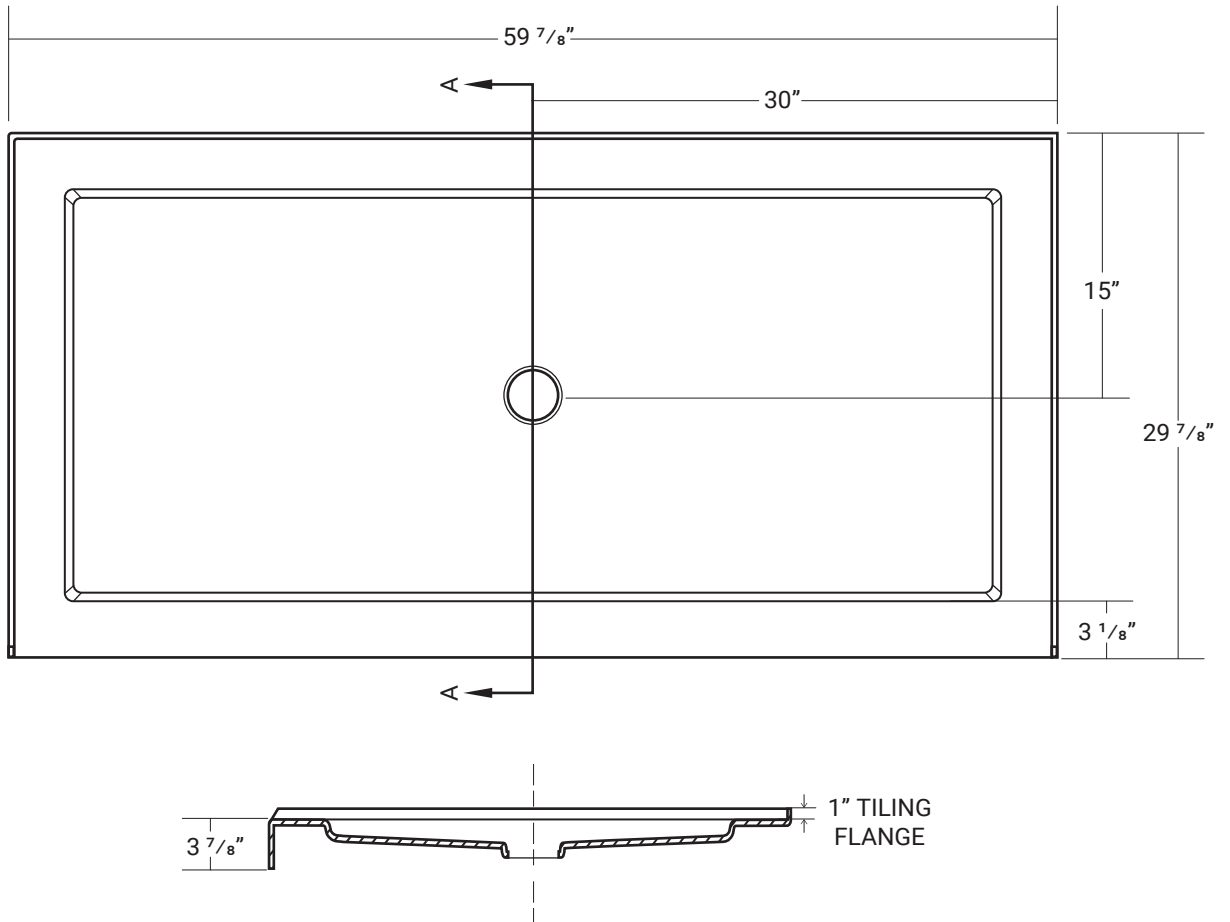
63322A

60" x 30"



ACRITEC

SHOWER BASES, SINGLE THRESHOLD,
LOW PROFILE
63322A
60" x 30"



PRODUCT SPECIFICATIONS

- 100% acrylic with fibreglass and wood reinforcement.
- Pre-levelled.
- Available in white.
- 1 year limited manufacturer's warranty included.

DESIGN FEATURES

- Acrylic shower base constructed of cast high gloss acrylic and reinforced with a fibreglass backing.
- Standard 3 3/8" shower drain opening.
- Shower base trimmed to fit 60" x 30" rough opening.
- Integral tiling flange for easy installation.

REV. 12/18/2017

*Drawings are not to scale

*All measurements are ±1/4"

In keeping with our policy of continuing improvement, Acritec Industries Corp. reserves the right to change product specifications without notice.

Acritec Industries Corp.



Toll free: 1 (877) 464-3100 e-mail: sales@acritec.com www.acritec.com