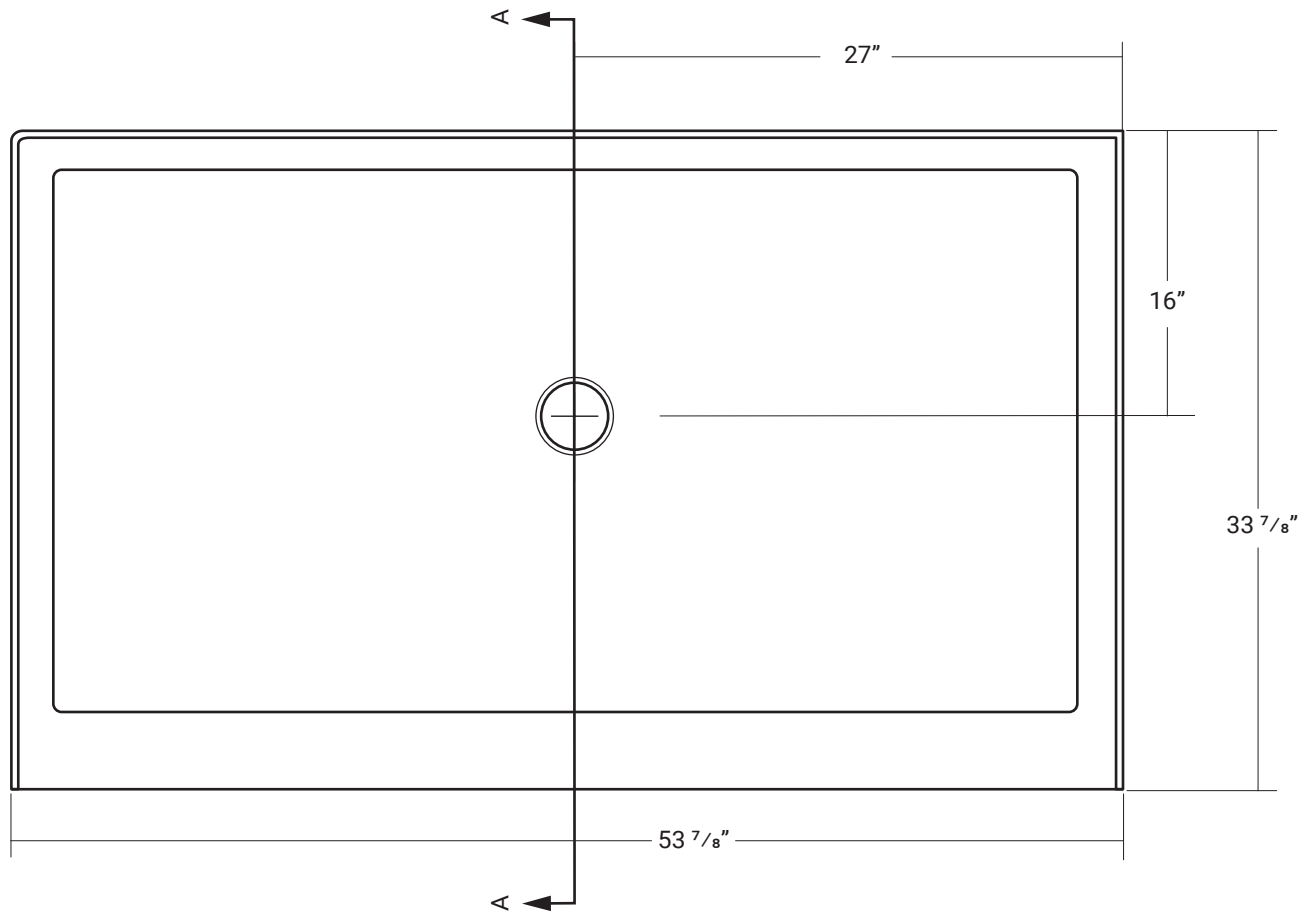


ACRITEC

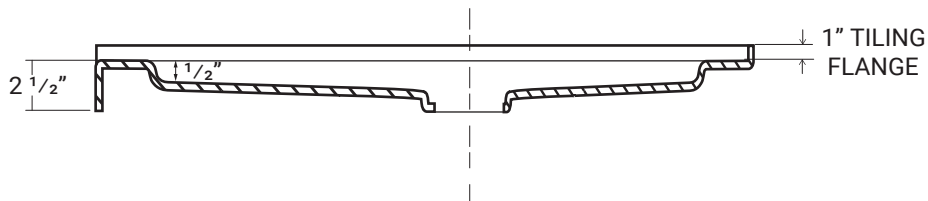
SHOWER BASES, SINGLE THRESHOLD, MINIMALIST

63310

54" x 34"



SECTION A-A



PRODUCT SPECIFICATIONS

- 100% acrylic with fibreglass and wood reinforcement
- Pre-levelled.
- Available in white.
- 1 year limited manufacturer's warranty included.

DESIGN FEATURES

- Acrylic shower base constructed of cast high gloss acrylic and reinforced with a fibreglass backing
- Standard 3 3/8" shower drain opening
- Shower base trimmed to fit 54" x 34" rough opening
- Integral tiling flange for easy installation

REV. 11/08/2017

*Drawings are not to scale

*All measurements are $\pm 1/4"$

In keeping with our policy of continuing improvement, Acritec Industries Corp. reserves the right to change product specifications without notice.

Acritec Industries Corp.



Toll free: 1 (877) 464-3100 e-mail: sales@acritec.com www.acritec.com