

# ACRITEC

SHOWER BASES, SINGLE THRESHOLD

63032A

32" x 32"

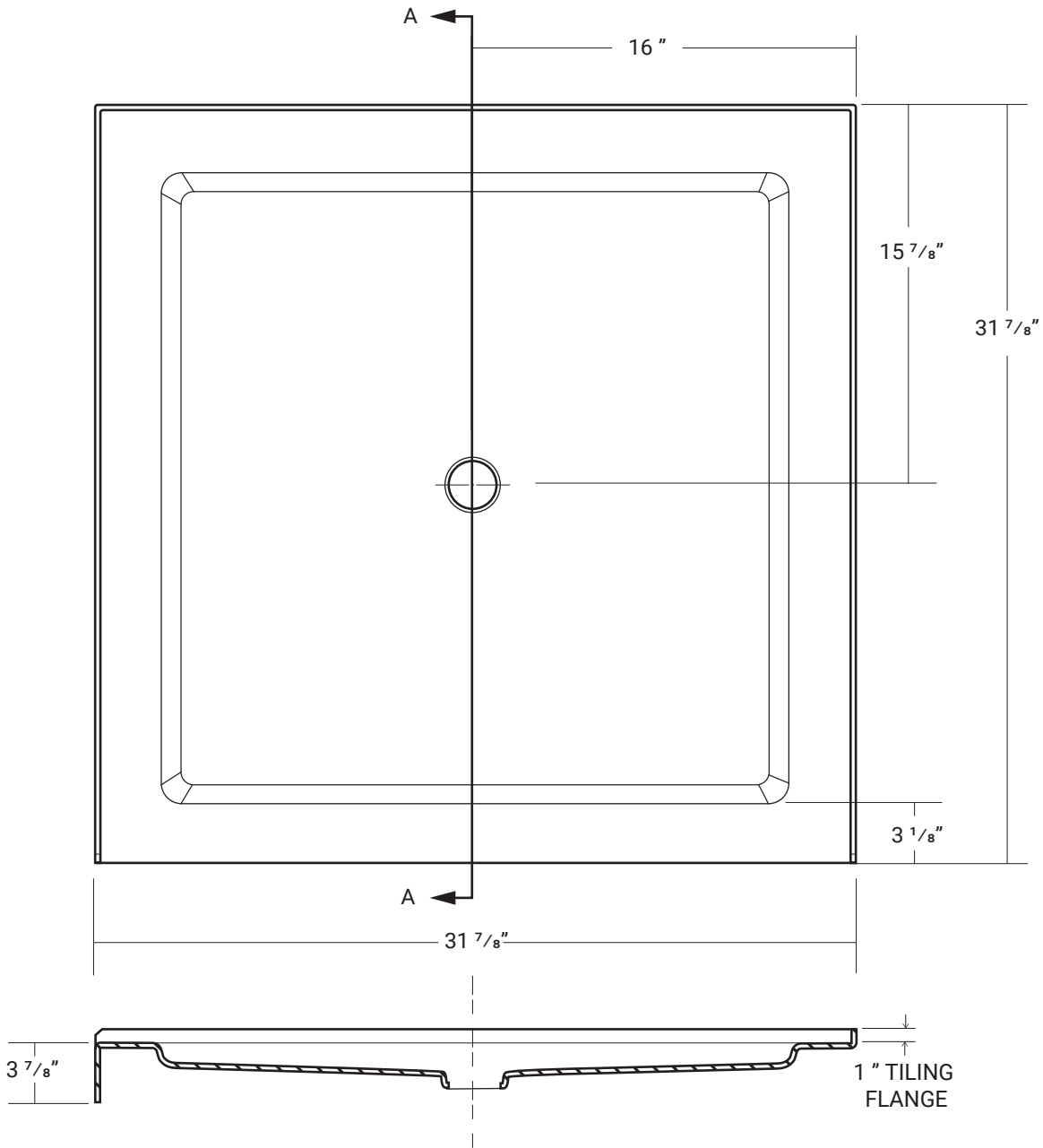


# ACRITEC

SHOWER BASES, SINGLE THRESHOLD

63032A

32" x 32"



## PRODUCT SPECIFICATIONS

- 100% acrylic with fibreglass and wood reinforcement
- Pre-levelled.
- Available in white.
- 1 year limited manufacturer's warranty included.

## DESIGN FEATURES

- Acrylic shower base constructed of cast high gloss acrylic and reinforced with a fibreglass backing
- Standard 3 3/8" shower drain opening
- Shower base trimmed to fit 32" x 32" rough opening
- Integral tiling flange for easy installation

REV. 9/18/2017

\*Drawings are not to scale

\*All measurements are  $\pm 1/4$ "

In keeping with our policy of continuing improvement, Acritec Industries Corp. reserves the right to change product specifications without notice.

Acritec Industries Corp.



Toll free: 1 (877) 464-3100 e-mail: sales@acritec.com www.acritec.com