

## CONTESSA (42081)

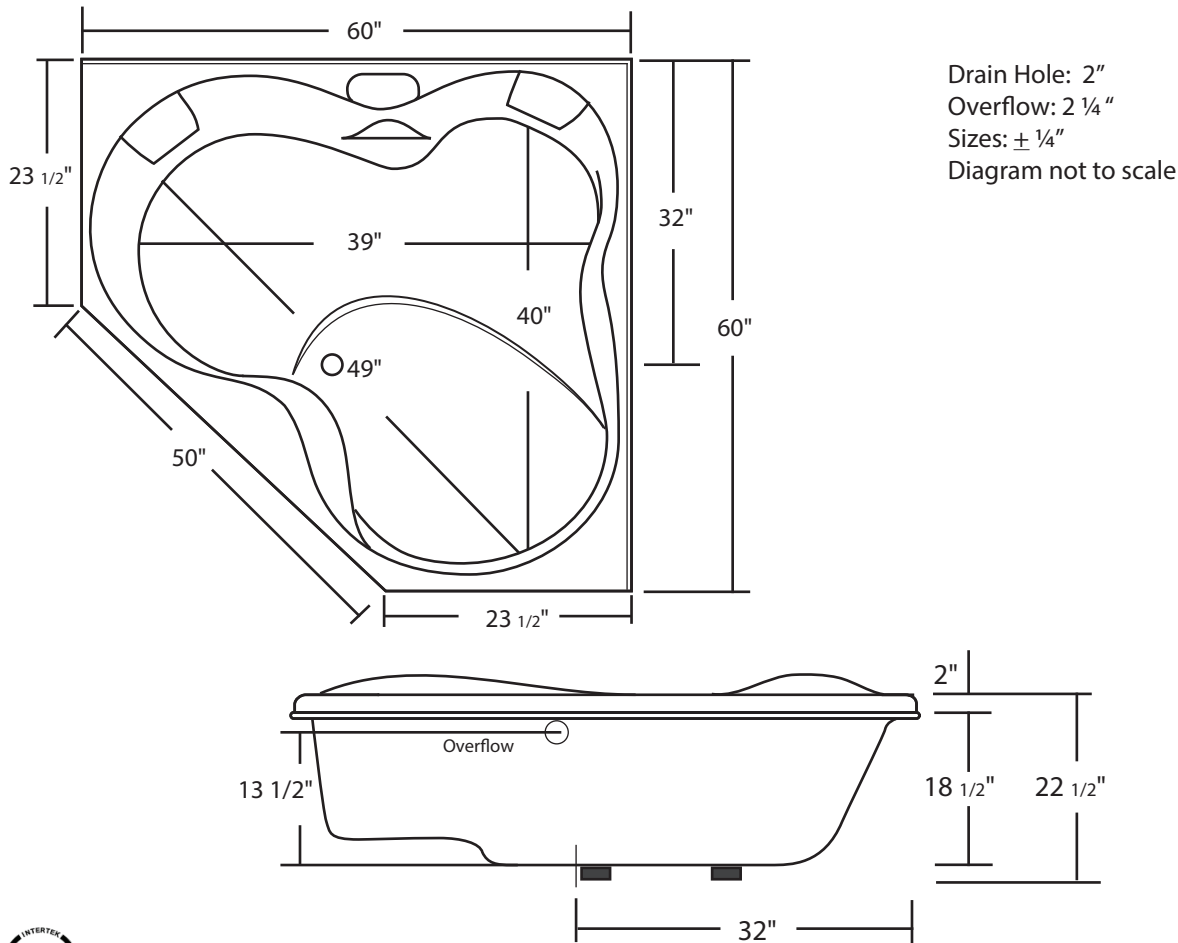
60" x 60" x 22 1/2"  
(1524 x 1524 x 572mm)



With over 22 1/2" in depth from the deck of the tub to the floor, the Contessa allows bathers to fully submerge themselves for a more pleasurable bathing experience. The Contessa can hold up to 50 gallons of water.

The Contessa is made from 100% acrylic with fibre-glass reinforcement for added strength and durability.

## Dimensions



This bathtub complies with CSA Standards

In keeping with our policy of continuing product improvement, Acri-Tec Industries Corp., reserves the right to change product specifications without notice.