

# ACRI-TEC

BATHTUBS, FREE STANDING

44403

59" x 31½" x 23⅝"

## CADENCE



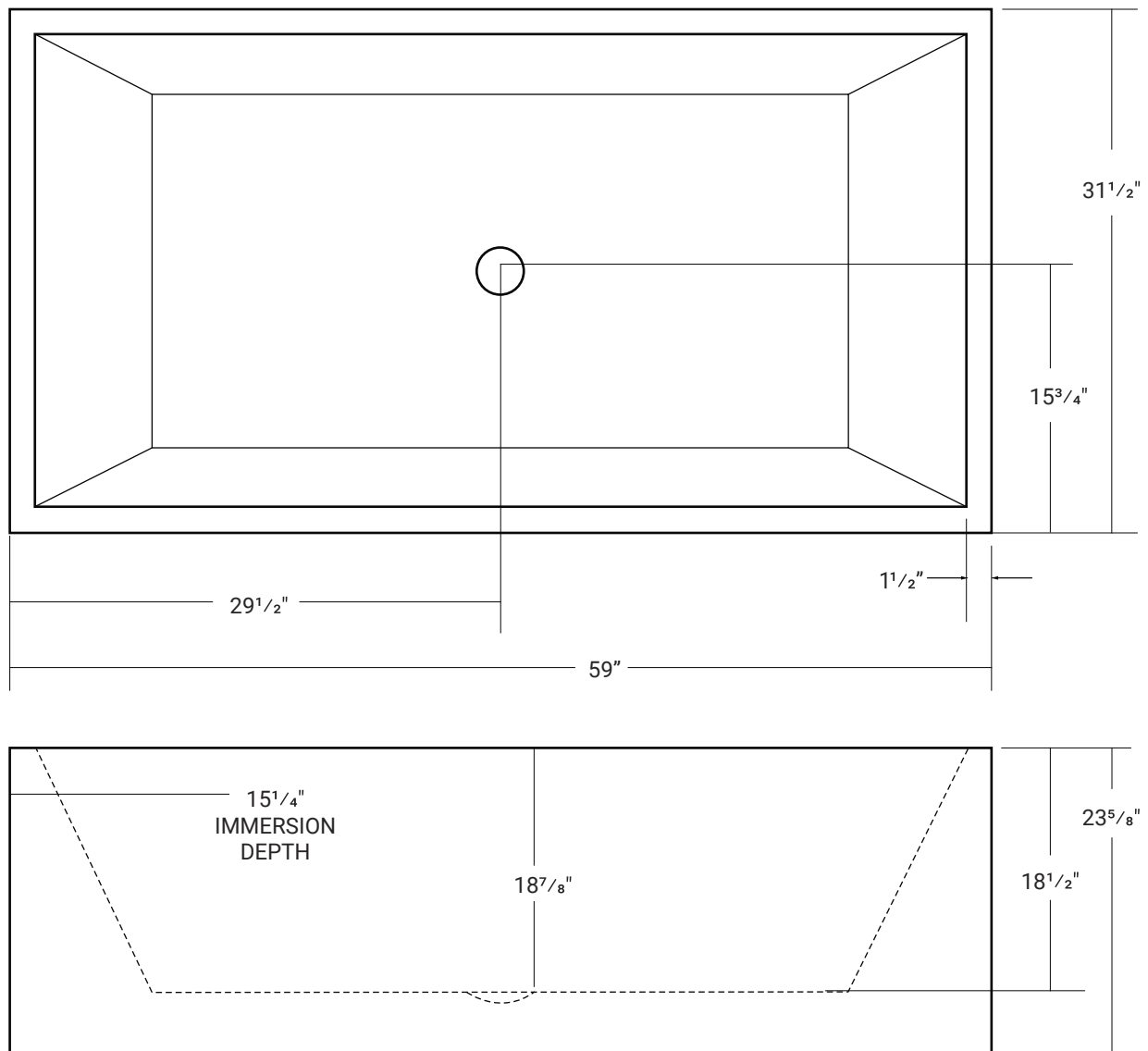
# ACRI-TEC

BATHTUBS, FREE STANDING

44403

59" x 31<sup>1</sup>/<sub>2</sub>" x 23<sup>5</sup>/<sub>8</sub>"

## CADENCE



REV. 5/25/2017

\*Drawings are not to scale

\*All measurements are ±<sup>1</sup>/<sub>4</sub>"

In keeping with our policy of continuing improvement, Acri-tec industries Corp. reserves the right to change product specifications without notice.

Acri-tec Industries Corp.



Toll free: 1 (877) 464-3100 e-mail: sales@acritec.com www.acritec.com

# ACRI-TEC

BATHTUBS, FREE STANDING

44403

59" x 31<sup>1</sup>/<sub>2</sub>" x 23<sup>5</sup>/<sub>8</sub>"

## CADENCE

### PRODUCT SPECIFICATIONS

- 100% Acrylic with fibreglass and steel reinforcement.
- Water capacity = approx. 65 US gallons.
- Available in white.
- Rectangular interior.
- Drain hole =2" (chrome clicker style included). Drain assembly not installed.
- Integral overflow channel.
- Faucets sold separately.
- 1 Year limited manufacturer's warranty included.

### DESIGN FEATURES

- Designed to install flush against a wall.
- Center drain.
- Rectangular chrome overflow cover.

### AVAILABLE UPGRADES

- Air jet systems.
- Comfortwarm™ heated Lumbar /backrest.

