

ACRITEC

BATHTUBS, FREESTANDING ACRYLIC

44335.1

59" x 29 5/8" x 22 7/8"

VANESSA



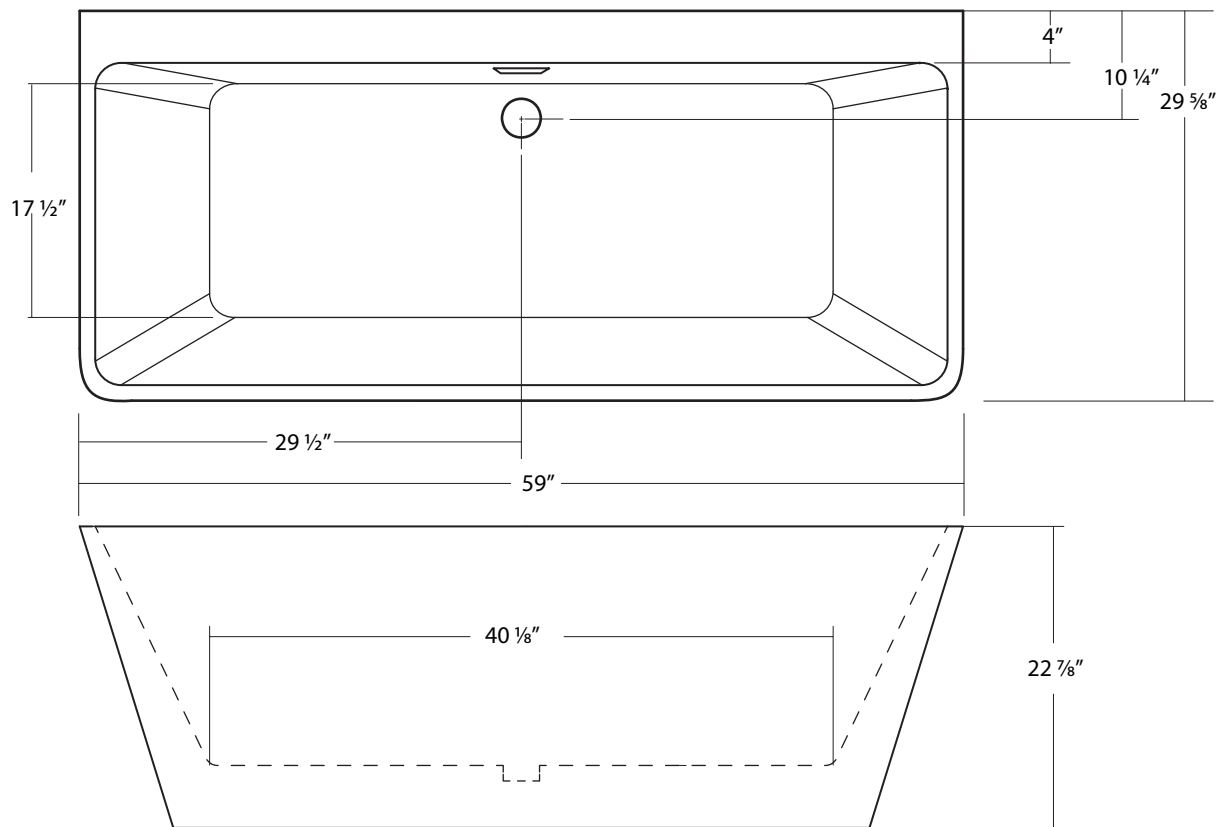
ACRITEC

BATHTUBS, FREESTANDING ACRYLIC

44335.1

59" x 29 5/8" x 22 7/8"

VANESSA



REV. 7/31/2018

*Drawings are not to scale

*All measurements are $\pm 1/4"$

In keeping with our policy of continuing improvement, Acri-tec industries Corp. reserves the right to change product specifications without notice.

ACRITEC

BATHTUBS, FREESTANDING ACRYLIC

44335.1

59" x 29 5/8" x 22 7/8"

VANESSA

PRODUCT SPECIFICATIONS

- 100% Acrylic with fibreglass and steel reinforcement.
- Available in white.
- Levelling feet included.
- Rectilinear interior.
- Drain hole =2".
- Includes slotted chrome overflow.
- Chrome (pop-up) drain included, drain assembly not installed.
- Center drain.
- Gross Weight = 90 lbs / 40 kg
- Water Capacity = 60 US gal / 230 L
- 1 Year limited manufacturer's warranty included.

DESIGN FEATURES

- Seamless, 1-piece acrylic soaker bathtub.
- Deep bathing well.
- Finished on all sides.