

ACRI-TEC

BATHTUBS, DROP IN

42461

72" x 35" x 23"

ROTTERDAM



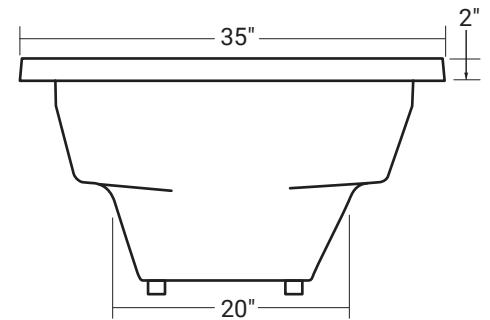
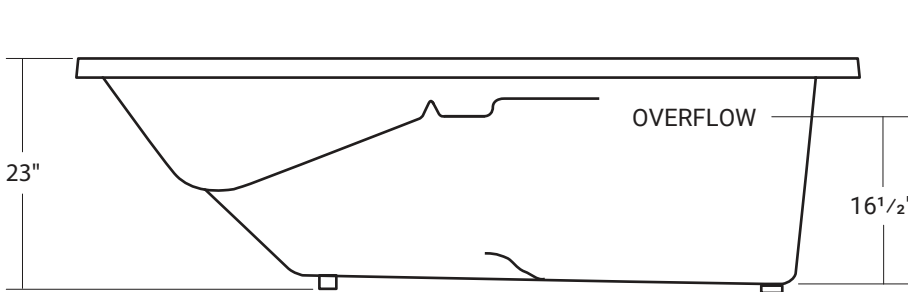
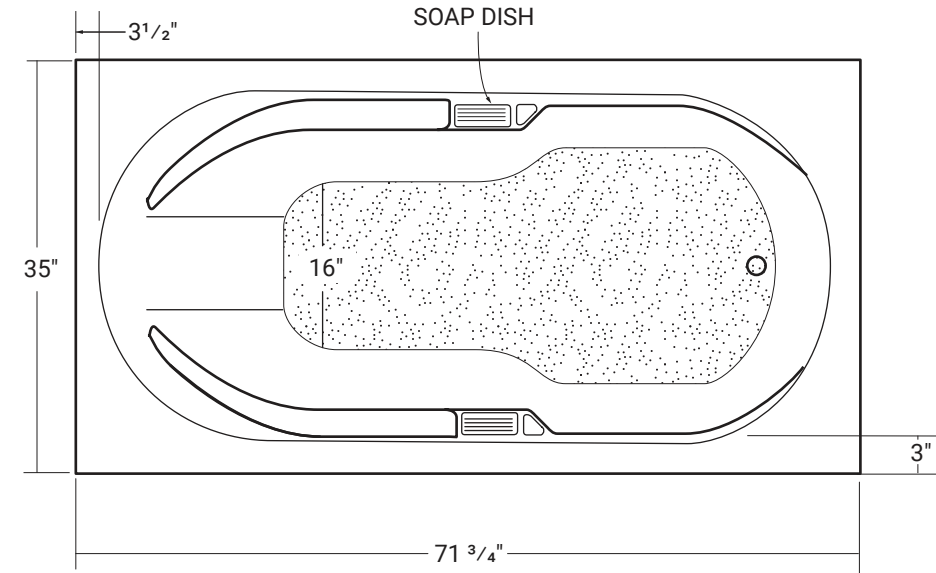
ACRI-TEC

BATHTUBS, DROP IN

42461

72" x 35" x 23"

ROTTERDAM



REV. 8/18/2016

*Drawings are not to scale

*All measurements are ±1/4"

In keeping with our policy of continuing improvement, Acri-tec industries Corp. reserves the right to change product specifications without notice.

Acri-tec Industries Corp.



Toll free: 1 (877) 464-3100 e-mail: sales@acritec.com www.acritec.com

ACRI-TEC

BATHTUBS, DROP IN

42461

72" x 35" x 23"

ROTTERDAM



PRODUCT SPECIFICATIONS

- 100% Acrylic with fiberglass reinforcement.
- Available in white.
- Drain hole = 2" (drain not included).
- Overflow hole = 2¼" (overflow not included).
- Water capacity = approx. 208 liters.
- 1 Year limited manufacturer's warranty included.

DESIGN FEATURES

- Designed for drop in installations.
- Jet pocket.
- Gently sloping back and arm rests.

AVAILABLE UPGRADES

- Water and or air jetting systems.
- Comfortwarm™ heated lumbar /backrest.
- Chromotherapy lights.



COMFORT WARM



CHROMA THERAPY



WATER JET



AIR JET



100% ACRYLIC
PURE CAST ACRYLIC

ACCESSORIES AND UPGRADES	ITEM No.
Chromotherapy Lights	01020
Lateral Air jets, White	00021
Lateral Air jets, Chrome	00024
Illusion Air jets, White	00031
Inline Whirlpool Heater	00171
ComfortWarm™ Heated Backrest	01040