

Item # 25050

STAINLESS STEEL LAUNDRY SINK

20" x 20" x 10"



DESIGN FEATURES

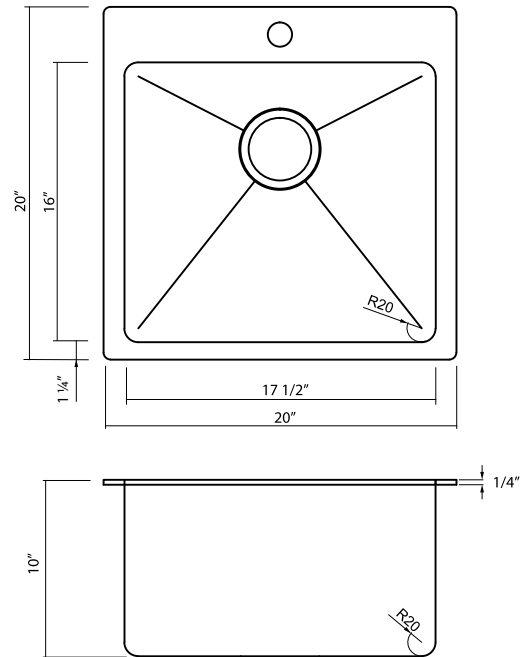
- Resilient and easy-to-clean Brushed Satin finish.
- Single bowl with small radius corners.
- Installation clamps provided for quick & easy installation.
- Latex based undercoating and large polymer sound deadening pads minimize sounds and vibrations.
- 3½" drain opening.

PRODUCT SPECIFICATIONS

- Fabricated from type 304, 18 gauge stainless steel.
- Net sink weight: 19 lbs.
- Minimum cabinet size required: 21"
- Allow sufficient space for the faucet.
- Included with sink:
 - 3½" stainless steel strainer
 - Installation clamps
 - Cut-out template
- 1 year limited manufacturer's warranty included.

SINK DIMENSIONS

- Diagrams not to scale.
- All measurements ±¼".



This sink complies with CSA Standards

In keeping with our policy of continuing product improvement, Acri-Tec Industries Corp. reserves the right to change product specifications without notice.