

### Item # 24001

## STAINLESS STEEL DROP-IN BAR SINK

**17<sup>1</sup>/<sub>8</sub>" x 17<sup>1</sup>/<sub>8</sub>" x 7"**  
(435\*435\*178mm)



### DESIGN FEATURES

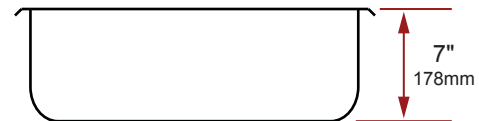
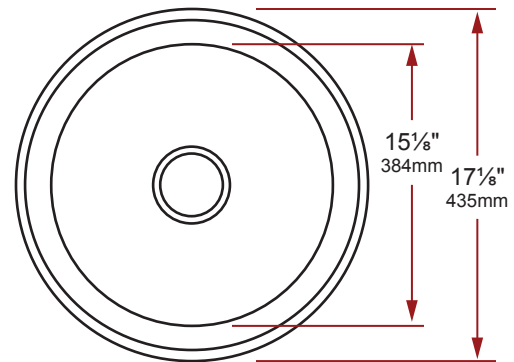
- Resilient and easy-to-clean Brushed Satin finish.
- Single round bowl.
- Installation clamps provided for quick & easy installation.
- Latex based undercoating helps damper sounds and vibrations.
- 3<sup>1</sup>/<sub>2</sub>" drain opening.

### PRODUCT SPECIFICATIONS

- Model: PC-D020D
- Fabricated from type 304, 20 gauge stainless steel.
- Constructed from 18/9 chrome/nickel content stainless steel for durability and superior longevity.
- Net sink weight: 5 lbs.
- Minimum cabinet size required: 21"
- Allow sufficient space for the faucet.
- Included with sink:
  - 3<sup>1</sup>/<sub>2</sub>" stainless steel strainer(s)
  - Installation clamps
  - Cut-out template
- 1 year limited manufacturer's warranty included.

### SINK DIMENSIONS

- Diagrams not to scale.
- All measurements  $\pm 1/4$ ".



This sink complies with CSA Standards

In keeping with our policy of continuing product improvement, Acri-Tec Industries Corp. reserves the right to change product specifications without notice.