

Item # 21170

STAINLESS STEEL UNDERMOUNT KITCHEN SINK

31⁵/₈" x 20⁵/₈" x 9"
(803*524*229mm)



DESIGN FEATURES

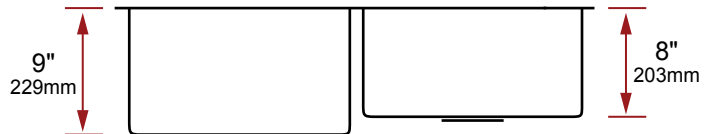
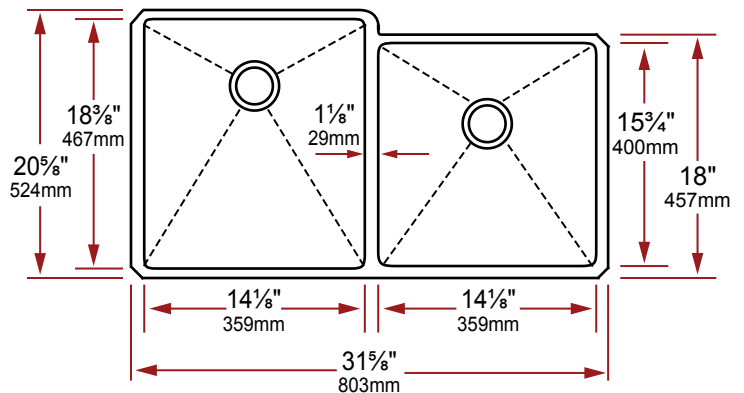
- Resilient and easy-to-clean Brushed Satin finish.
- Double bowls with small radius corners.
- Installation clamps provided for quick & easy installation.
- Latex based undercoating helps damper sounds and vibrations.
- 3¹/₂" drain opening.

PRODUCT SPECIFICATIONS

- Model: PC-U250
- Fabricated from type 304, 16 gauge stainless steel.
- Constructed from 18/9 chrome/nickel content stainless steel for durability and superior longevity.
- Net sink weight: 28 lbs.
- Minimum cabinet size required: 36"
- Allow sufficient space for the faucet.
- Included with sink:
 - 3¹/₂" stainless steel strainer(s)
 - Installation clamps
 - Cut-out template
- 1 year limited manufacturer's warranty included.

SINK DIMENSIONS

- Diagrams not to scale.
- All measurements ±1/4".



COUNTERTOP CUT-OUT:

- The cut-out template is provided as a **guide only** and should be checked against the actual sink to determine correct fit.
- It is recommended that **the hole for the sink be cut 1/2" x 1/2" smaller than the inside bowl dimensions.**



This sink complies with CSA Standards

In keeping with our policy of continuing product improvement, Acri-Tec Industries Corp. reserves the right to change product specifications without notice.