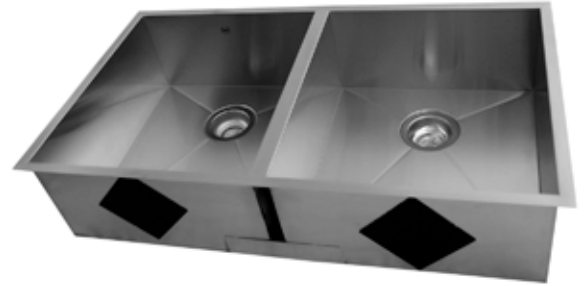


### Item # 21130

## STAINLESS STEEL UNDERMOUNT KITCHEN SINK

**34<sup>1</sup>/<sub>4</sub>" x 19<sup>1</sup>/<sub>4</sub>" x 8"**  
(870\*489\*203mm)



### DESIGN FEATURES

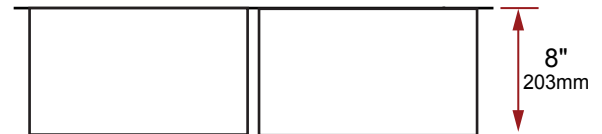
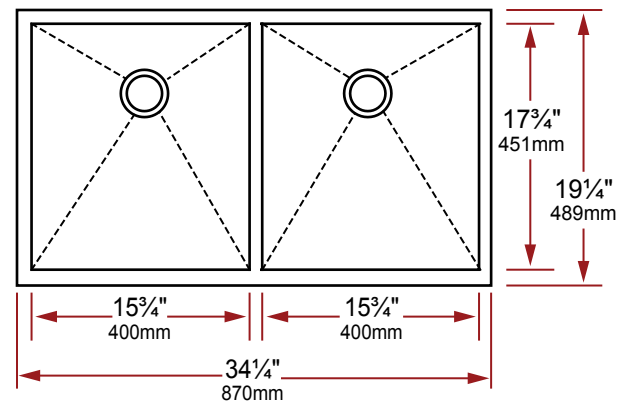
- Resilient and easy-to-clean Brushed Satin finish.
- Double bowls with squared corners.
- Installation clamps provided for quick & easy installation.
- Large polymer sound deadening pads minimize sounds and vibrations.
- 3<sup>1</sup>/<sub>2</sub>" drain opening.

### PRODUCT SPECIFICATIONS

- Model: PC-U210
- Fabricated from type 304, 16 gauge stainless steel.
- Constructed from 18/9 chrome/nickel content stainless steel for durability and superior longevity.
- Net sink weight: 24 lbs.
- Minimum cabinet size required: 39"
- Allow sufficient space for the faucet.
- Included with sink:
  - 3<sup>1</sup>/<sub>2</sub>" stainless steel strainer(s)
  - Installation clamps
  - Cut-out template
- 1 year limited manufacturer's warranty included.

### SINK DIMENSIONS

- Diagrams not to scale.
- All measurements ±<sup>1</sup>/<sub>4</sub>".



### COUNTERTOP CUT-OUT:

- The cut-out template is provided as a **guide only** and should be checked against the actual sink to determine correct fit.
- It is recommended that **the hole for the sink be cut 1/2" x 1/2" smaller than the inside bowl dimensions.**



This sink complies with CSA Standards

In keeping with our policy of continuing product improvement, Acri-Tec Industries Corp. reserves the right to change product specifications without notice.