

## Item # 19011

### PRESTIGE

### ACRYLIC DROP-IN KITCHEN SINK

32" x 21" x 6<sup>3</sup>/<sub>4</sub>" - 8<sup>3</sup>/<sub>8</sub>"



#### DESIGN FEATURES

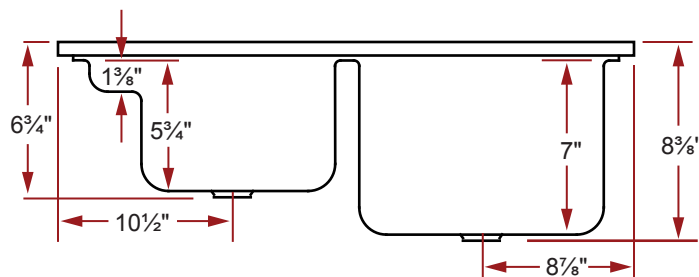
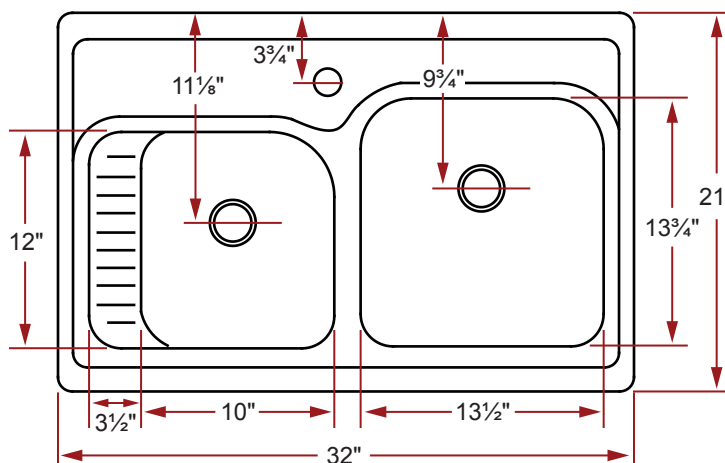
- High-gloss cast acrylic reinforced with a fibreglass backing providing strength, vibration reduction and sound deadening.
- Non-porous finish creates a surface resistant to stains and mildew.
- Easy to clean with non-abrasive cleaners.
- Designed for drop-in applications requiring no mounting hardware.
- Integral faucet deck.

#### PRODUCT SPECIFICATIONS

- Available in white.
- Double bowls with round corners.
- Faucet holes available:
  - Item # 19011 - No Holes
  - Item # 19011-01 - 1 Hole
  - Item # 19011-04 - 3 Holes - 4" Centerset
  - Item # 19011-08 - 3 Holes - 8" Widespread
- 3<sup>1</sup>/<sub>2</sub>" drain opening.
- Net sink weight: 13 lbs.
- Minimum cabinet size required: 36"
- Faucets and stainers not included.
- 1 year limited manufacturer's warranty included.

#### SINK DIMENSIONS

- Diagrams not to scale.
- All measurements ±<sup>1</sup>/<sub>4</sub>".



This sink complies with CSA Standards

In keeping with our policy of continuing product improvement, Acri-Tec Industries Corp. reserves the right to change product specifications without notice.