

Item # 11011

CLASSIC

ACRYLIC DROP-IN

LAUNDRY SINK

20³/₄" x 21³/₄" x 10"



DESIGN FEATURES

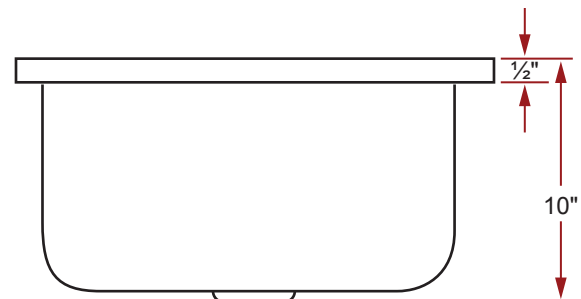
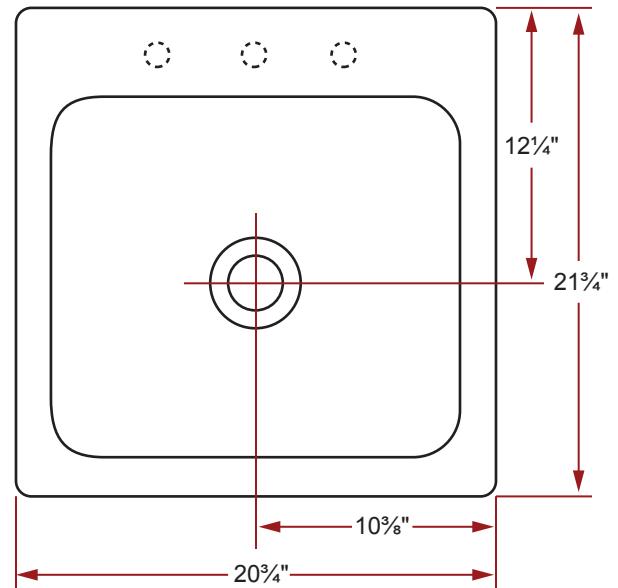
- High-gloss cast acrylic reinforced with a fiberglass backing providing strength, vibration reduction and sound deadening.
- Non-porous finish creates a surface resistant to stains and mildew.
- Easy to clean with non-abrasive cleaners.
- Designed for drop-in applications requiring no mounting hardware.
- Integral faucet deck.

PRODUCT SPECIFICATIONS

- Available in white.
- Single bowl with round corners.
- Faucet holes available:
 - Item # 11011 - No Holes
 - Item # 11011-01 - 1 Hole
 - Item # 11011-04 - 3 Holes - 4" Centerset
 - Item # 11011-08 - 3 Holes - 8" Widespread
- 3¹/₂" drain opening.
- Net sink weight: 9 lbs.
- Minimum cabinet size required: 24"
- Faucets and stainers not included.
- 1 year limited manufacturer's warranty included.

SINK DIMENSIONS

- Diagrams not to scale.
- All measurements $\pm 1/4$ ".



This sink complies with CSA Standards

In keeping with our policy of continuing product improvement, Acri-Tec Industries Corp. reserves the right to change product specifications without notice.