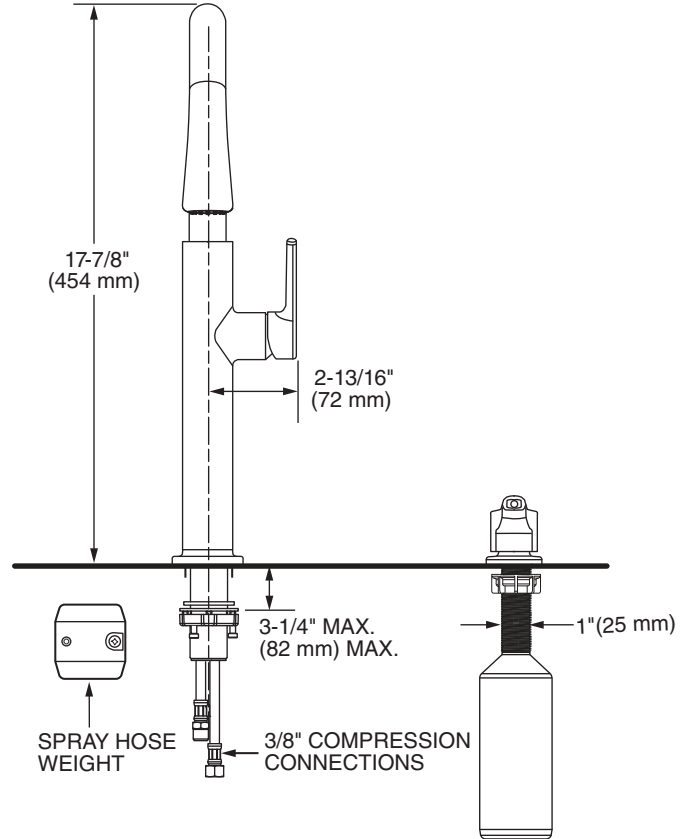


**MODEL NUMBER:**

□ 4803300 Pull-Down Dual Spray Kitchen Faucet  
Stainless Steel, Chrome, & Matte Black Finish.



**GENERAL DESCRIPTION:**

Thoughtful design makes all the difference in the presence and performance of the Studio S Pull-Down Dual-Spray Kitchen Faucet from American Standard. Contemporary cylinder profile is 18-in. tall creating a focal point and allowing ample room for filling large pots with ease. The pull-down spray head is easy to grasp and change spray functions from stream to a powerful spray. Unique raised single handle lever provides drip-free performance and adds distinction to your kitchen design.

**PRODUCT FEATURES:**

- High 18-in. design makes it easy to fill large pots and lends a professional look
- Wipe-clean, one-piece lever handle eliminates tiny crevices where build-up hides
- Dual-function spray head with pause easily toggles from a powerful spray to a smooth stream with one hand
- Re-Trax feature ensures smooth retraction of spray head after use
- Swivel spout rotates 360° for optimal reach and range of motion in and around the sink
- Rubber spray nozzles wipe clean easily with your fingertip
- Drip-free performance with high quality ceramic disc valve
- Durable brass and metal construction
- Pre-installed braided nylon supply lines
- Limited lifetime warranty

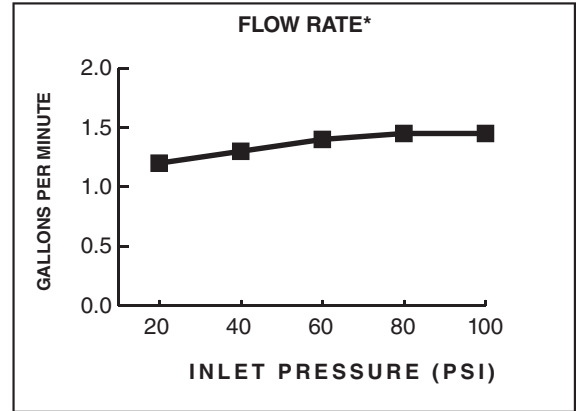
**SUGGESTED SPECIFICATION**

Single control kitchen pull-down faucet shall feature a high arc metal swivel spout and metal lever handle. Shall also feature 28 mm washerless ceramic disc valve cartridge and 38" flexible supply hoses. Faucet shall include Re-Trax Retraction System. Faucet shall be American Standard Model # 4803300.\_\_\_\_\_.

**CODES AND STANDARDS**

These products meet or exceed the following codes and standards:

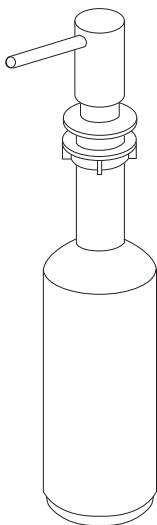
- ANSI A117.1**
- ASME A112.18.1**
- CSA B125.1**
- NSF 61/Section 9**
- NSF 372**



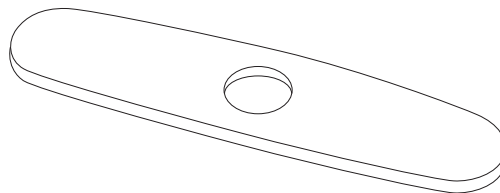
Product Number	Description	Finish Options		
		Polished Chrome	Stainless Steel	Matte Black
		002	075	243
4803300	Pull-Down Kitchen Faucet featuring Re-Trax™ technology. Soap dispenser and deckplate not included.			

**ADA** Meets the American Disabilities Act Guidelines  
**ANSI A117.1** Requirements for the physically challenged.

**Soap Dispenser & Deckplate (Not Included)**



4503120.070



1660152.070