

Thermostatic wall-mount tub filler trim set Model : YG8205.TR

Features:

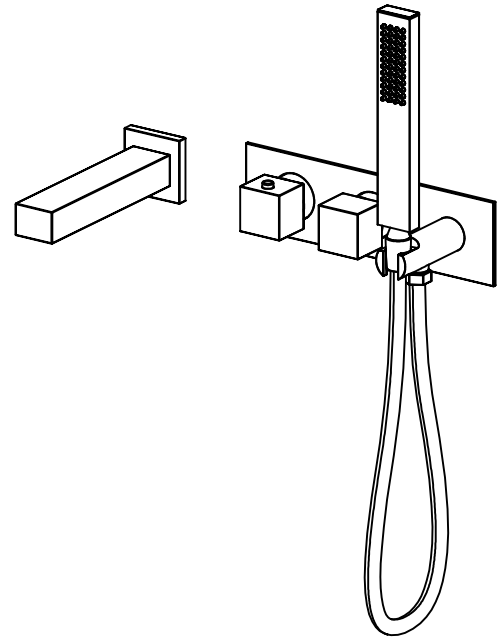
- Solid brass construction
- Flow rate: 8.8 GPM@spout
1.75GPM@handshower

Certifications:

- CSA Approved

Standards:

- CSA B125.1
- ASME A112.18.1



ROUGH REQUIRED : HW2600.RI

